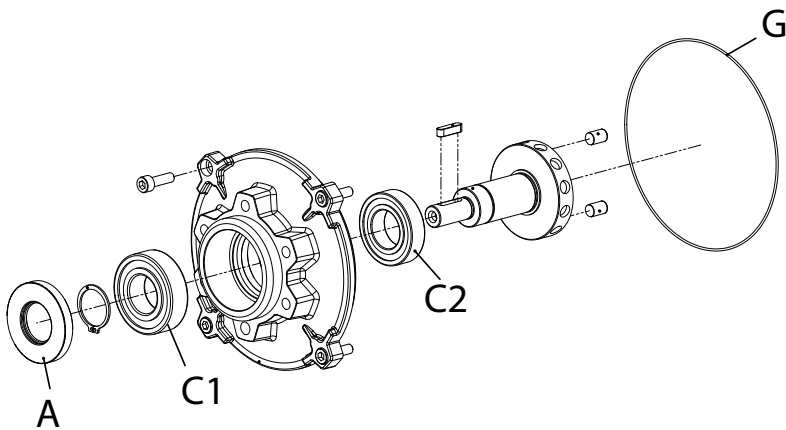


KIT COPERCHIO USCITA / OUTPUT COVER KIT

Variator	Diam. albero (mm) Shaft diam.	Cod. Kit completo Complete kit cod.	Cuscinetti / Bearings			Anelli tenuta / Seals			Guarnizioni / Gaskets		
			Ref	Q.ty	Code	Ref	Q.ty	Code	Ref.	Q.ty	Code
K2	14	K2KITUSCD14	C2	1	6005	A	1	BA 25x52x7	G	1	Or 2-050
	19	K2KITUSCD19	C1	1	6205						
	22	K2KITUSCD22	C1	1	6205						
K4	24	K4KITUSCD24	C2	1	6007	A	1	BA 35x72x10	G	1	GUOR13
			C1	1	6207						
K5	28	K5KITUSCD28	C2	1	6007	A	1	BA 35x72x10	G	1	GUOR13
			C1	1	6207						



Kit flangia uscita/Output flange kit

Disponibile su
Available on

Size	Kit Code	K2	K4	K5
71 B5	K2KITFLU71B5	✓		
80 B5	K2KITFLU80B5	✓		
90 B5	K4KITFLU90B5		✓	
100 B5	K5KITFLU100B5			✓
112 B5				✓