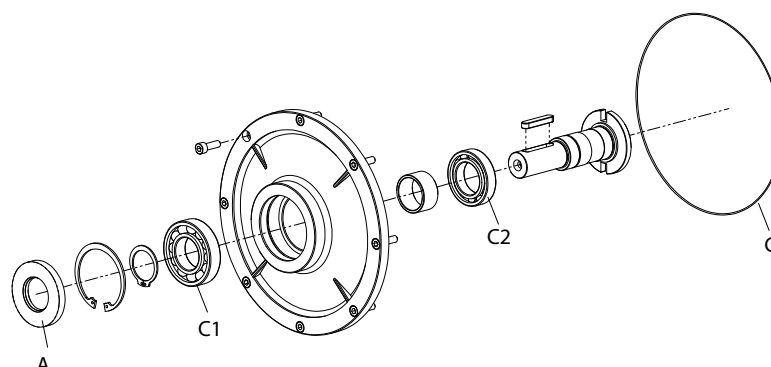


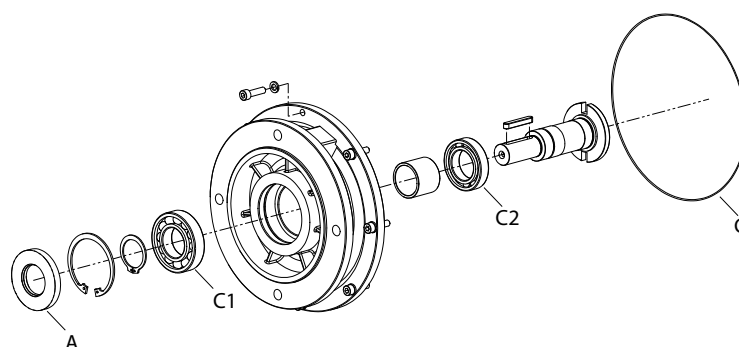
KIT COPERCHIO USCITA / OUTPUT COVER KIT

Variator	Diam. albero (mm) Shaft diam.	Cod. Kit completo Complete kit cod.	Cuscinetti / Bearings			Anelli tenuta / Seals			Guarnizioni / Gaskets		
			Ref	Q.ty	Code	Ref	Q.ty	Code	Ref.	Q.ty	Code
15	32	15KITUSCD32	C1	1	6208	A	1	40x80x10	G	1	or 1,78x759
			C2	1	6008						
16-16B	45	16KITUSCD45	C1	1	4210	A	1	50x72x8	G	1	or 1,78x884
			C2	1	6210						
17-17B	50	17KITUSCD50	C1	1	6212	A	1	60x80x12	G	1	or 1,78x1054
			C2	1	4212						



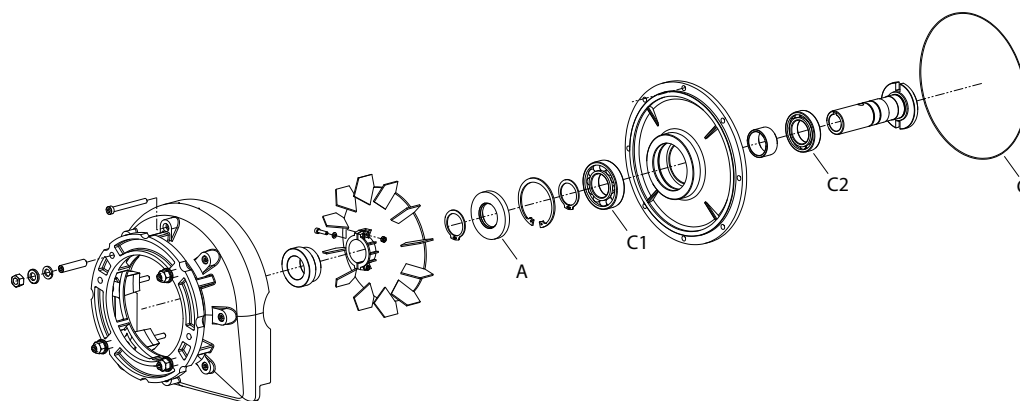
KIT COPERCHIO USCITA CON FLANGIA / OUTPUT COVER KIT WITH FLANGE

Variator	Diam. albero (mm) Shaft diam.	Cod. Kit completo Complete kit cod.	Cuscinetti / Bearings			Anelli tenuta / Seals			Guarnizioni / Gaskets		
			Ref	Q.ty	Code	Ref	Q.ty	Code	Ref.	Q.ty	Code
15	28	15KITUSC112B5	C1	1	6208	A	1	40x80x10	G	1	or 1,78x759
			C2	1	6008						
16-16B	38	16KITUSC132B5	C1	1	4210	A	1	50x72x8	G	1	or 1,78x884
			C2	1	6210						
17-17B	42	17KITUSC160B5	C1	1	4212	A	1	60x80x12	G	1	or 1,78x1054
			C2	1	6212						



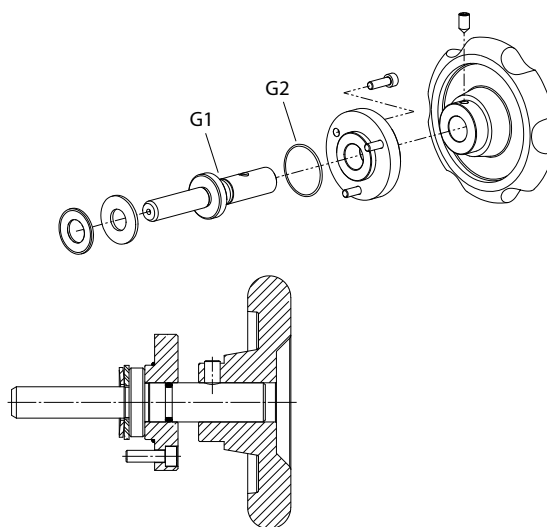
KIT ENTRATA / INPUT KIT

Variator	Flangia motore Motor flange	Cod. Kit completo Complete kit cod.	Cuscinetti / Bearings			Anelli tenuta / Seals			Guarnizioni / Gaskets		
			Ref	Q.ty	Code	Ref	Q.ty	Code	Ref.	Q.ty	Code
15	112B5	15KITENT112B5	C1	1	6208	A	1	40x80x10	G	1	or 1,78x759
			C2	1	6008						
16	132B5	16KITENT132B5	C1	1	4210	A	1	50x72x8	G	1	or 1,78x884
			C2	1	6210						
16B	160B5	16BKITENT160B5	C1	1	4212	A	1	60x80x12	G	1	or 1,78x884
			C2	1	6212						
17	160B5	17KITENT160B5	C1	1	4212	A	1	60x80x12	G	1	or 1,78x1054
			C2	1	6212						
17B	180B5	17BKITENT180B5	C1	1	4214	A	1	70x90x10	G	1	or 1,78x1054
			C2	1	6214.Z						



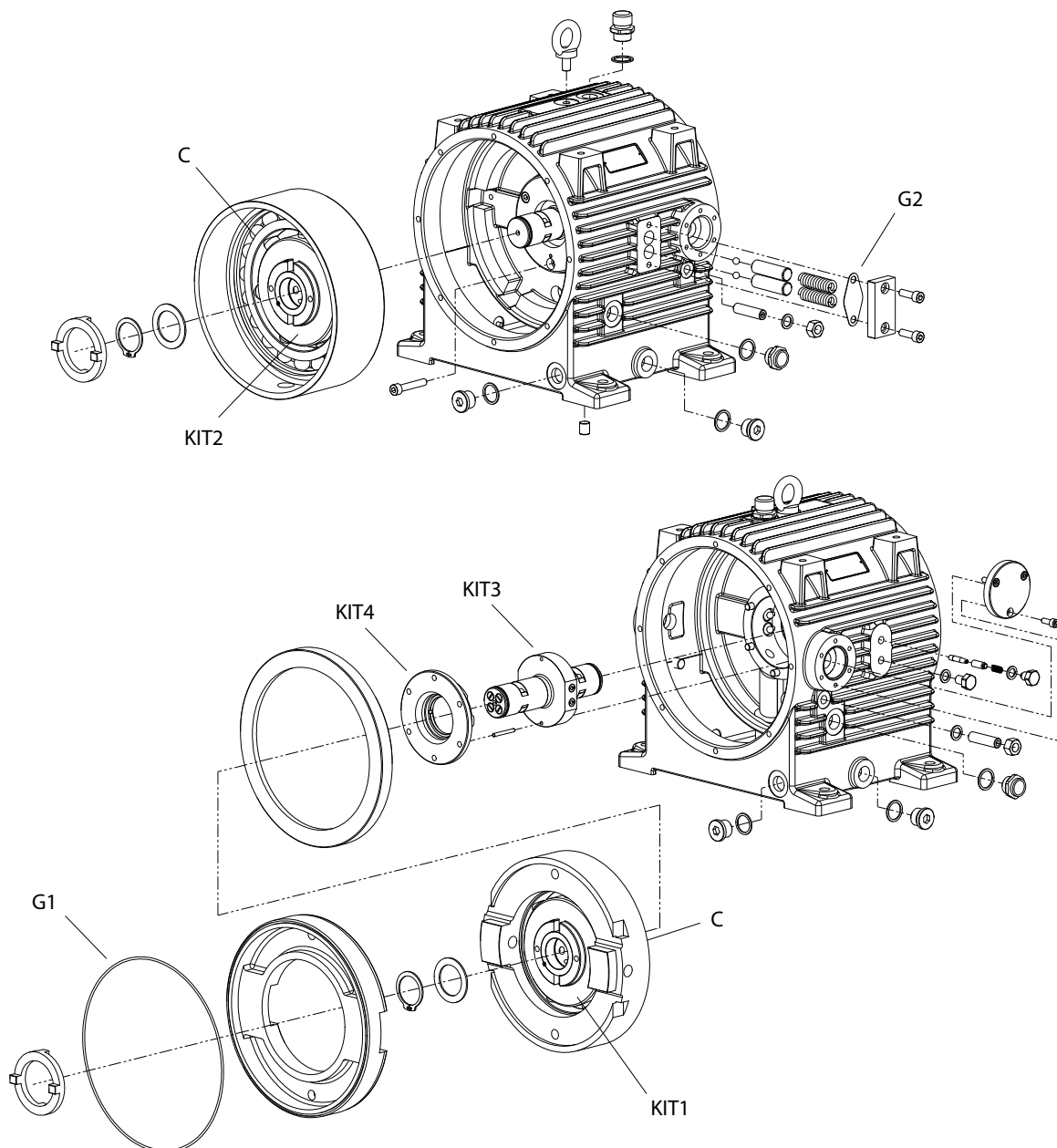
Kit comando a volantino/ Handwheel speed control kit

Variator	Cod. Kit completo Complete kit cod.	Cuscinetti / Bearings			Guarnizioni/Gaskets						Anelli tenuta/Seals		
		Ref	Q.ty	Code	Ref.	Q.ty	Code	Ref.	Q.ty	Code	Ref.	Q.ty	Code
15	15COM00	-	-	-	G1	1	Gaco or 119	G2	1	Parker 2-29	-	-	-
16-16B	16COM00	-	1	4204	G1	1	Gaco or 3081	G2	1	Parker 2-32	-	1	25x40x7
17-17B	17COM00	-	1	4204	G1	1	Gaco or 3081	G2	1	Parker 2-32	-	1	25x40x7



**BASE MODULARE
MODULAR BASE**

	Ref.	Q.ty	Descriz. / Descrip.	15	16-16B	17-17B
Guarnizioni Gaskets	G1	1	O-ring	Or 2,62x745,1	Or 2,62x848,74	Or 2,62x1021.4
	G2	1	Guarnizione valvole massima Maximum valves gasket	100-10.13.500	100-10.16.500	100-10.16.500
Cuscinetti Bearings	C	2	Cuscinetto pistoni Pistons bearing	16030	6034	6040



**For internal kits: Kit1, Kit2, Kit3 and Kit4 see next page
Per i kit interni Kit1, Kit2, Kit3, Kit4 vedi pagina seguente.**

15-16-16B-17-17B Liste pezzi di ricambio / Spare parts lists

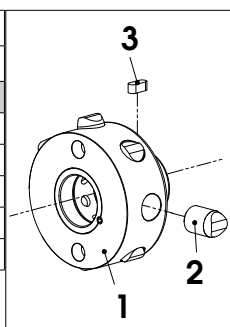
Internal kits/Kit interni

See the picture on the previous page for their mounting position

Vedi nella pagina precedente la loro posizione di montaggio

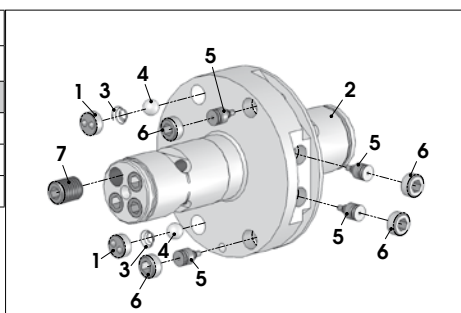
Kit 1	Kit pompa primaria Primary pump kit
Variator	Code
15	819015
16	819016
16B	819016B
17	819017
17B	819017B

Complete with pistons/Completa di pistoni



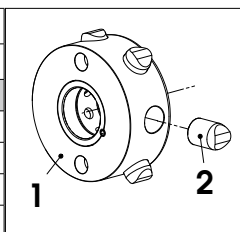
Kit 2	Kit albero distributore Distributor shaft kit
Variator	Code
15	100-10.15.140
16-16B	100-10.16.140
17-17B	100-10.17.140

Complete with relief valves/Completo di valvole non ritorno



Kit. 3	Kit pompa secondaria Secondary pump kit
Variator	Code
15	829015
16	829016
16B	829016B
17	829017
17B	829017B

Complete with pistons/Completo di pistoni



Kit. 4	Kit pompa ausiliaria Auxiliary pump kit
Variator	Code
15	PR15
16-16B	PR16
17-17B	PR17

