

# IEC B5 only on request

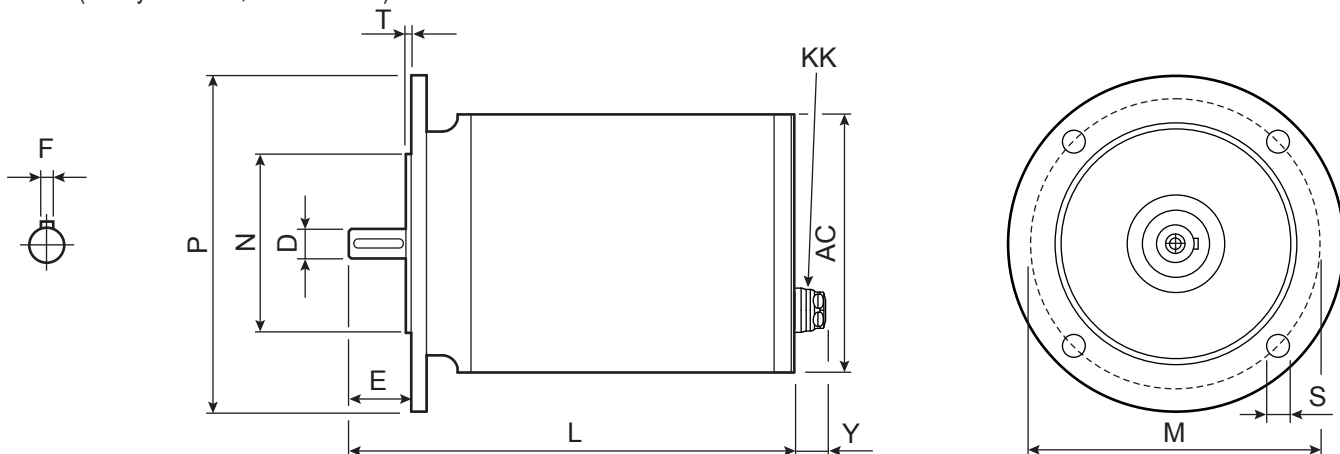
Sizes: IEC 63..100LA, 4 poles  
 Voltage:  $\Delta/Y$  230/400V - 50Hz  
 Protection: I.C.I.F - IP69k - IC410  
 Efficiency: IE3 (IEC60034-30, IEC60034-2-1,  $P_n \geq 0,75kW$ )  
 Duty cycle: S1  
 Other features: INVERTER DUTY, HYGIENIC, PTO PROTECTION INCLUDED

**B5**

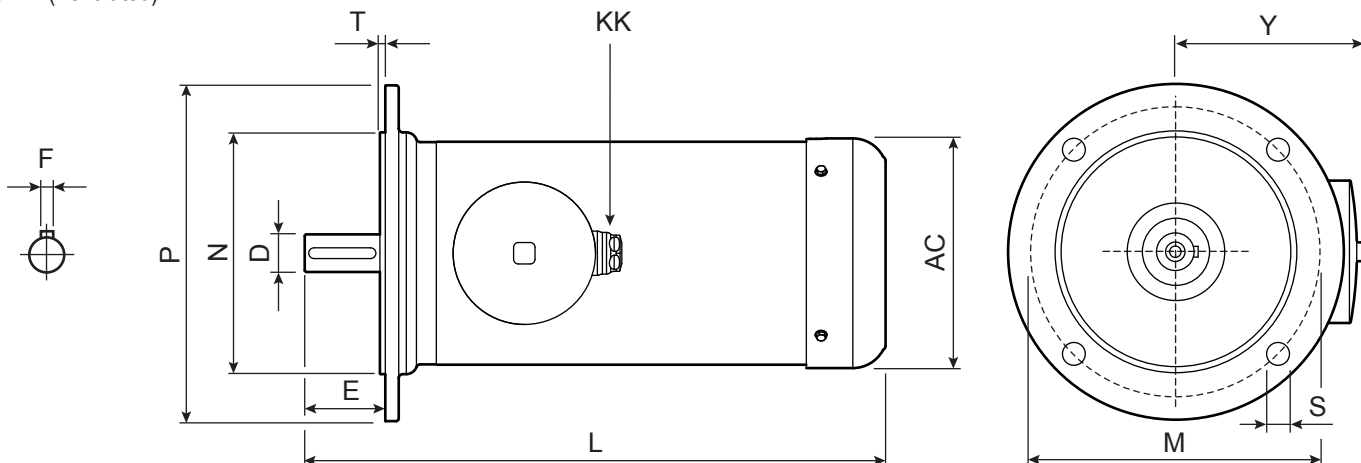
## Dimensions

*Dimensioni*

**63A÷90L** (Totally enclosed, not ventilated)



**100LA** (Ventilated)



4 poles B5

Motor	kW	IE3	rpm (min <sup>-1</sup> )	Nm	A (400V)	COS (φ)	D	F	E	L	AC	Y	N	M	P	T	S	Kg	KK
63A	0.12		1440	0.80	0.44	0.57	11 j6	4	23	229	131	24	95 j6	115	140	3	4x10	9.4	M16x1.5 ø7.5-10 Tightening: 15 Nm
63B	0.18			1.19	0.58	0.62	M4			244								10.7	
71A	0.25		1440	1.66	0.72	0.64	14 j6	5	30	266	131	27	110 j6	130	160	3.5	4x10	12.5	M20x1.5 ø11-13.5 Tightening: 18 Nm
71B	0.37			2.45	1.10	0.67	M5		40	286			130 j6	165	200	3.5	4x12	14.4	
80A	0.55		1460	3.60	1.50	0.67	19 j6	6	40	280	166	30	130 j6	165	200	3.5	4x12	21.0	Tightening: 18 Nm
80B	0.75			4.91	2.10	0.70	M6		50	305			130 j6	165	200	3.5	4x12	24.0	
90S	1.1		1460	7.20	2.90	0.70	24 j6	8	50	345	166	30	130 j6	165	200	3.5	4x12	28.5	M25x1.5 ø15-18 Tightening: 35 Nm
90L	1.5			9.81	4.00	0.79	M8		60	390			130 j6	165	200	3.5	4x12	34.5	
100LA	2.2			14.6	4.80	0.79	28 j6	8	60	432.5	171	140	180 j6	215	250	4	4x15	36.0	M20x1.5 ø11-13.5 Tightening: 18 Nm

Ventilated