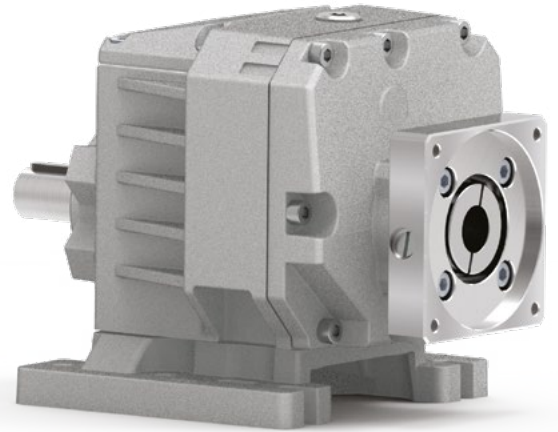
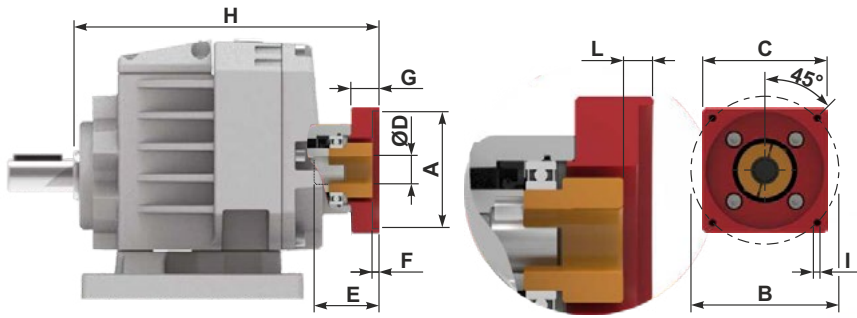


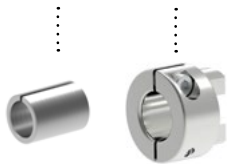
# COAXIAL GEARBOXES

# Aluminum Coaxial-Gear

Flanges for servomotors - Flange per servomotori

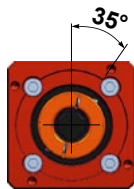


Input flanges Kit Code	Bushing Kit Code	Coupling Kit Code	Motor shaft Ø	Type																	
				412A Nm	413A 160	512A 350	513A 350	612A 520	613A 520	H											
				A	B	C	ØD	E	F	G	L	I									
K0504072	KBR1114G	KC355190L	Ø11	60	75	70	Ø14	38	4.5	23	9	M5x12		190.5							
K0504072	-	KC355190L	Ø14	60	75	70	Ø14	38	4.5	23	9	M5x12		190.5							
K0504073	-	KC355190L	Ø14	50	70	70	Ø14	38	4.5	23	9	M5x12		190.5							
K0504074	-	KC355190L	Ø14	80	100	85	Ø14	38	4.5	23	9	M6x12		190.5							
K0634072	KBR1422G	KC405190L	Ø14	60	75	90	Ø22	55.5	4.5	25	9	M5x12	186.5				243		260		
K0634073	KBR1422G	KC405190L	Ø14	50	70	80	Ø22	55.5	4.5	25	9	M5x12	186.5				243		260		
K0634074	KBR1422G	KC405190L	Ø14	80	100	85	Ø22	55.5	4.5	25	9	M6x12	186.5				243		260		
K0634075	KBR1922G	KC405190L	Ø19	95	115	100	Ø22	55.5	4.5	25	9	M8x12	186.5				243		260		
K0634076	-	KC405190L	Ø22	110	145	130	Ø22	60.5	4.5	30	14	M8x14	191.5				248		265		
K0634078	KBR1922G	KC405190L	Ø19	70	90	90	Ø22	55.5	4.5	25	9	M6x12	186.5				243		260		
K0854075	KBR1924G	KC505190L	Ø19	95	115	100	Ø24	58	4.5	26	9.5	M8x14			235.5			252			
K0854076	KBR2224G	KC505190L	Ø22	110	145	130	Ø24	62	5	30	13.5	M8x14			239.5			256			
K0854077	-	KC505190L	Ø24	130	165	140	Ø24	58	5	26	9.5	M8x14			235.5			252			
K0854078	KBR1924G	KC505190L	Ø19	70	90	95	Ø24	58	4.5	26	9.5	M6x14			235.5			252			



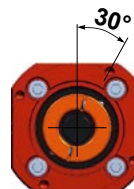
Supplied with  
reduction bushing  
Fornito con  
bussola di riduzione

Coupling  
Giunto



**K0504072**

Fixing holes  
shifted by 35°  
Fori fissaggio  
motore ruotati  
a 35°



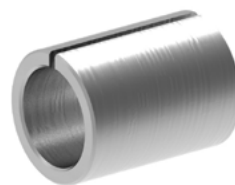
**K0504073**  
**K0634078**

Fixing holes  
shifted by 30°  
Fori fissaggio  
motore ruotati  
a 30°



**K0634072**  
**K0634073**

Fixing holes  
shifted by 25°  
Fori fissaggio  
motore ruotati  
a 25°



Reduction  
Bushing  
Bussola di  
riduzione