

### QUICK SELECTION / Selezione veloce

input speed ( $n_1$ ) = 1400 min<sup>-1</sup>

	Output Speed $n_2$ [min <sup>-1</sup> ]	Ratio $i$	Motor power $P_{1M}$ [kW]	Output torque $M_{2M}$ [Nm]	Service factor f.s.	Nominal power $P_{1R}$ [kW]	Nominal torque $M_{2R}$ [Nm]	Available B5 motor flanges				Available B14 motor flanges				Dynamic efficiency <b>RD</b>	Tooth Module [mm]	Ratios code
								-B	-C	-D	-E	-P	-Q	-R	-T			
								63	71	80	90	63	71	80	90			
IEC 90 - 71	47	<b>29.9</b>	0.75	113	1.5	<b>1.1</b>	<b>165</b>						C	C		74	2.6	01
	37	<b>37.7</b>	0.75	141	1.2	<b>0.88</b>	<b>165</b>						C	C		73	2.0	02
	30	<b>47.1</b>	0.75	169	1.1	<b>0.83</b>	<b>187</b>						C	C		70	3.2	03
	25	<b>56.6</b>	0.55	136	1.4	<b>0.76</b>	<b>187</b>						C	C		64	2.7	04
	19.8	<b>70.7</b>	0.55	164	1.1	<b>0.63</b>	<b>187</b>						C	C		62	2.1	05
	15.9	<b>87.8</b>	0.37	162	1.2	<b>0.43</b>	<b>187</b>						C	C		73	2.6	06
	12.6	<b>111.0</b>	0.37	199	0.9	<b>0.35</b>	<b>187</b>						C	C		71	2.0	07
IEC 71 - 63	10.1	<b>139</b>	0.37	234	0.8	<b>0.30</b>	<b>187</b>						C			67	3.2	08
	8.4	<b>166</b>	0.25	173	1.1	<b>0.27</b>	<b>187</b>						C			61	2.7	09
	6.7	<b>208</b>	0.18	151	1.1	<b>0.20</b>	<b>165</b>						C			59	2.1	10
	4.5	<b>310</b>	0.12	129	1.3	<b>0.15</b>	<b>165</b>						C			51	1.5	11
	3.8	<b>370</b>	0.12	145	1.1	<b>0.14</b>	<b>165</b>						C			48	1.3	12
	3.2	<b>434</b>	0.12	149	0.9	<b>0.11</b>	<b>138</b>						C			42	1.1	13

**A) Motor Flanges Available**  
Flange Motore Disponibili

**B) Supplied with Reduction Bushing**  
Fornito con Bussola di Riduzione

**B) Available on Request without reduction bushing**  
Disponibile a Richiesta senza Bussola di Riduzione

**C) Motor Flange Holes Position**  
Posizione Fori Flangia Motore

**EN** Unit **P6Q** is supplied with synthetic oil, providing "long life" lubrication. For mounting position V5-V6 please contact us. See table 1 for lubrication and recommended quantity. In table 2 please see possible radial loads and axial loads on the gearbox.

**I** Il riduttore tipo **P6Q** viene fornito lubrificato a vita con olio sintetico. Per posizioni V5-V6 contattare il ns. servizio tecnico. Vedi tab.1 per oli e quantità consigliati. In tab.2 sono presenti i carichi radiali e assiali applicabili al riduttore.

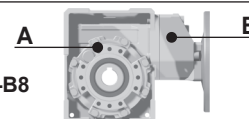
**D** Für die Lebensdauerschmierung ist das Getriebe der Größe **P6Q** mit synthetischem Öl befüllt. Bei Einbaulage V5 oder V6 bitten wir um Rücksprache. In Tabelle 1 ist die Schmiermenge und das empfohlene Schmiermittel angegeben. In Tabelle 2 sind die zulässigen Radial- und Axialbelastungen des Getriebes aufgeführt.

**F** Le réducteur de type **P6Q** est fourni lubrifié à vie avec de l'huile synthétique. Concernant les positions V5.V6, contactez notre service d'assistance technique. Voir tableau 1 concernant les huiles et les quantités conseillées. Les charges radiales et axiales applicables au réducteur sont précisées dans le tableau 2.

**E** El reductor tamaño **P6Q** se suministra, lubricado de por vida con aceite sintético. Para las posiciones V5 y V6 contactar con nuestro servicio técnico. Ver tabla 1, para cantidades y aceites recomendados. En la tabla 2, se encuentran las cargas radiales y axiales admitidas por el reductor.

### LUBRICATION P6Q Oil

For B3-V5-V6 separate lubrication for **A (0.30 l)** **B (0.08 l)**, for B6-B7-B8 common lubrication **0.35 l (A + B)**.



**AGIP** Telium VSF 320

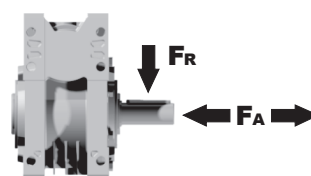
**SHELL** Omala S4 WE 320

For all details on lubrication and plugs check our website **tab. 1**  
Per maggiori dettagli su lubrificazione e tappi olio vedi il nostro sito web

### RADIAL AND AXIAL LOADS

#### Output shaft

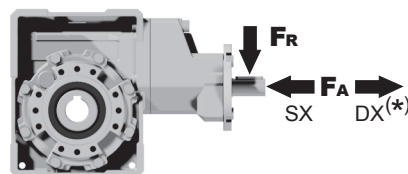
Albero di uscita



$n_2$ [min <sup>-1</sup> ]	$F_A$ [N]	$F_R$ [N]
<b>75</b>	500	2500
<b>50</b>	600	3000
<b>25</b>	700	3800
<b>15-6</b>	800	4000

#### Input shaft

albero in entrata



$n_1$ [min <sup>-1</sup> ]	$F_A$ [N]	$F_R$ [N]
<b>1400</b>	61	305

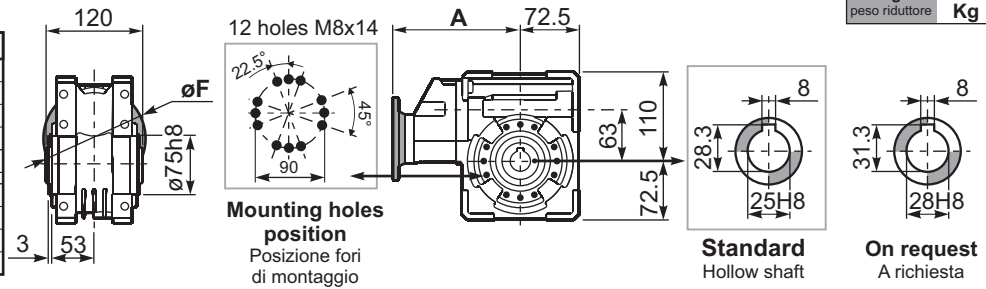
**\*Strong axial loads in the DX direction are not allowed.**  
Non sono consentiti forti carichi assiali con direzione DX

**tab. 2**

**PP6QFB...** Basic wormbox  
Riduttore base

Gearbox weight	29.9+111	139+434
peso riduttore	7.05	6.60
	Kg	Kg

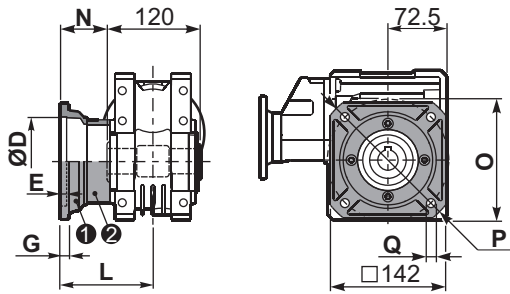
M.flange	Kit code	øF	A
71B5	K063.4.042	160	176.5
80/90B5	K063.4.043	200	178.5
71B14	K063.4.047	105	176.5
80B14	K063.4.046	120	178.5
90B14	K063.4.041	140	178.5
<hr/>			
63B5	K050.4.041	138	162.5
71B5	K050.4.042	160	160
63B14	K050.4.047	90	162.5
71B14	K050.4.045	105	160



**Standard**  
Hollow shaft

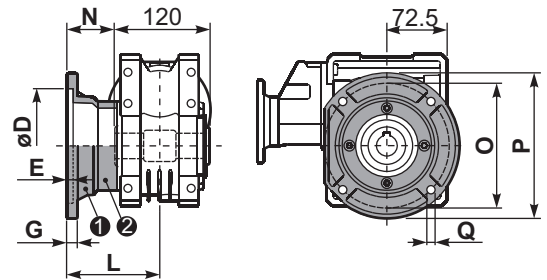
**On request**  
A richiesta

**PP6QFC...** Output flange  
Flangia uscita



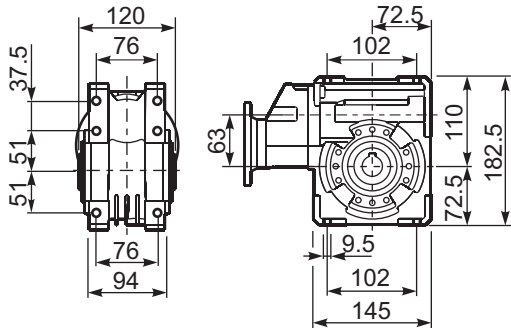
type B	øD	E	G	L	N	O	P	Q	kit code
FC	115 <sup>+0.20</sup> / <sub>+0.15</sub>	6	12	86	26	150	180	11	1 KQ63.9.010 2 -
FL	115 <sup>+0.20</sup> / <sub>+0.15</sub>	6	12	116	56	150	180	11	1 KQ63.9.010 2 K063.0.200

**PP6QF1...** Output flange  
Flangia uscita

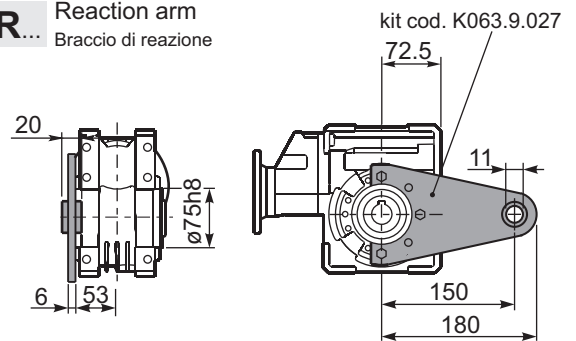


type S	øD	E	G	L	N	O	P	Q	kit code
F1	130 <sup>+0.20</sup> / <sub>+0.15</sub>	7	13	110	50	165	200	13	1 KS070.9.013 2 -
F2	115 <sup>+0.20</sup> / <sub>+0.15</sub>	7	13	124	64	150	175	11	1 KS063.9.013 2 -
F3	110 <sup>+0.035</sup> / <sub>0</sub>	5	11	90	30	130	160	10	1 KS063.9.011 2 -

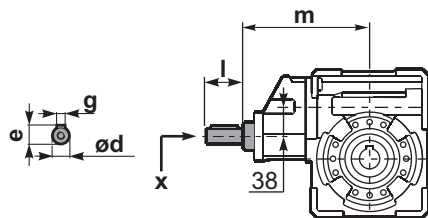
**PP6QFB...** Feet  
Piedini



**PP6QBR...** Reaction arm  
Braccio di reazione



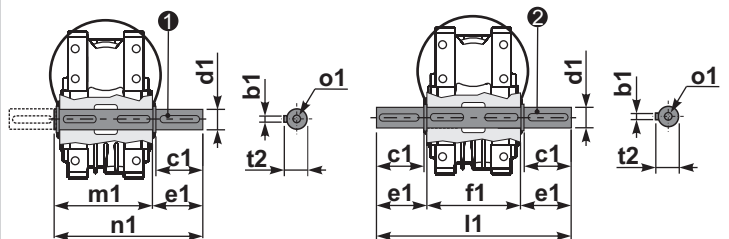
**RP6QFB...** Input shaft  
Albero in entrata



	ød	e	g	l	m	x	
29.9+111	19 h6	21.5	6	35	169.4	M6x16	C40.5.062
139+434	14 h6	16	5	25	154.2	M5x13	C35.5.061

**PP6Q.....S...** Single Shaft  
Albero lento semplice

**PP6Q.....D...** Double Shaft  
Albero lento bisp.



1 kit cod. K063.5.028 type B      2 kit cod. K063.5.029 type B

	b1	c1	d1	e1	f1	l1	m1	n1	t2	o1
type B	8	60	25 <sup>-0.005</sup> / <sub>-0.020</sub>	63.2	120	246.4	126.8	190	28	M8x20
type S	-	-	-	-	-	-	-	-	-	-