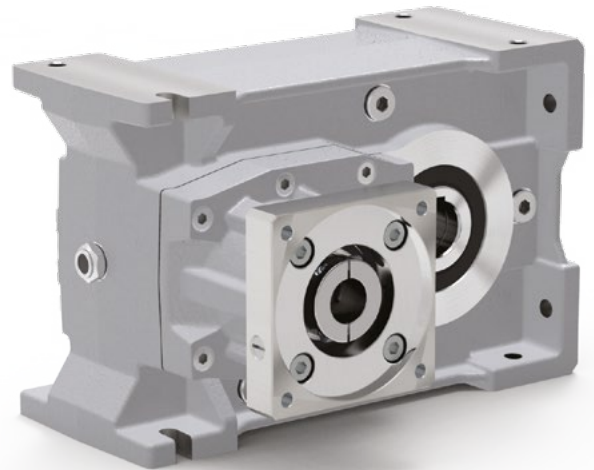
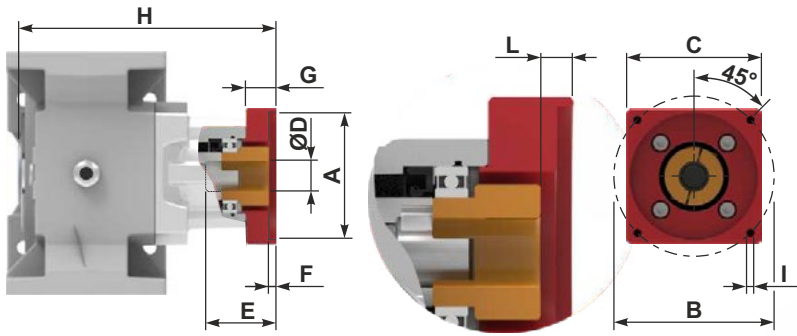


PARALLEL SHAFT GEARBOXES

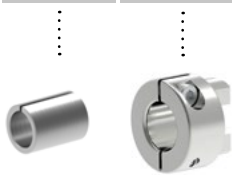
Cast Iron Cube-Gear

Flanges for servomotors - Flange per servomotori



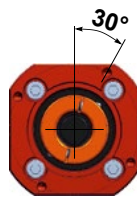
Type H62C H63C H72C H73C

Input flanges Kit Code	Bushing Kit Code	Coupling Kit Code	Motor shaft Ø											Nm			
				A	B	C	ØD	E	F	G	L	I	H				
K0634072	KBR1422G	KC405190L	Ø14	60	75	90	Ø22	55.5	4.5	25	9	M5x12		244		255.5	
K0634073	KBR1422G	KC405190L	Ø14	50	70	80	Ø22	55.5	4.5	25	9	M5x12		244		255.5	
K0634074	KBR1422G	KC405190L	Ø14	80	100	85	Ø22	55.5	4.5	25	9	M6x12		244		255.5	
K0634075	KBR1922G	KC405190L	Ø19	95	115	100	Ø22	55.5	4.5	25	9	M8x12		244		255.5	
K0634076	-	KC405190L	Ø22	110	145	130	Ø22	60.5	4.5	30	14	M8x14		249		260.5	
K0634078	KBR1922G	KC405190L	Ø19	70	90	90	Ø22	55.5	4.5	25	9	M6x12		244		255.5	
K0854075	KBR1924G	KC505190L	Ø19	95	115	100	Ø24	58	4.5	26	22	M8x14	235		246.5		
K0854076	KBR2224G	KC505190L	Ø22	110	145	130	Ø24	62	5	30	26	M8x14	239		250.5		
K0854077	-	KC505190L	Ø24	130	165	140	Ø24	58	5	26	22	M8x14	235		246.5		
K0854078	KBR1924G	KC505190L	Ø19	70	90	95	Ø24	58	4.5	26	22	M6x14	235		246.5		



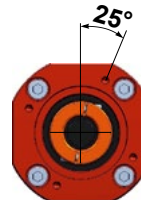
Supplied with
reduction bushing
Fornito con
bussola di riduzione

Coupling
Giunto



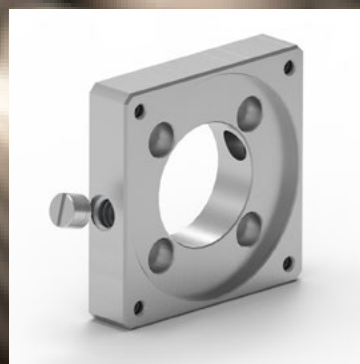
K0634078

Fixing holes
shifted by 30°
Fori fissaggio
motore ruotati
a 30°



K0634072
K0634073

Fixing holes
shifted by 25°
Fori fissaggio
motore ruotati
a 25°



Flanges for
servomotors

Flange per
servomotori