

ATEX Reducer category 2 Riduttore ATEX categoria 2



CODE **AX121**

- Use of synthetic oil and with oil plugs (oil plugs when possible).
- VITON oil seals.
- Loctite on all external screws.
- Double input seals, when possible.
- Additional output oil seals when possible.
- Indication of maximum temperature gauge.
- Utilizzo di olio sintetico e con tappi olio (tappi olio dove è possibile).
- Anelli di tenuta in VITON.
- Frena filetti su tutte le viti fissaggio esterne.
- Doppio anello di tenuta in entrata, dove è possibile.
- Anelli di tenuta supplementare in uscita dove è possibile.
- Indicatore visivo di temperatura di massima.

Advised / Sugerito



Atex Cat. 2

For more information see our guide «Atex installation and maintenance guide» on our website.

Per ulteriori informazioni, consultare la nostra guida «Atex guida alla manutenzione e installazione» sul nostro sito..

ATEX Reducer category 3 Riduttore ATEX categoria 3

CODE **AX222**

- Use of synthetic oil and with oil plugs (oil plugs when possible).
- Utilizzo di soli olio sintetico e con tappi olio (tappi olio dove è possibile).

Advised / Sugerito

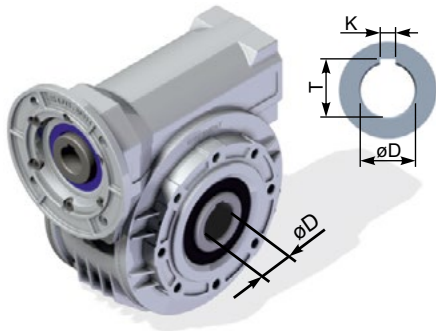


Atex Cat. 3

For more information see our guide «Atex installation and maintenance guide» on our website.

Per ulteriori informazioni, consultare la nostra guida «Atex guida alla manutenzione e installazione» sul nostro sito..

Special stainless steel hollow shaft Mozzo in acciaio inox speciale



CODE **MI0...**

	øD	T	K	CODE
030	14	16.3	5	MI014
	18	20.8	6	MI018
045	19	21.8	6	MI019 *
	25	28.3	8	MI025
050	24	27.3	8	MI024 *
	25	28.3	8	MI025
63A	28	31.3	8	MI028
085	35	38.3	10	MI035
110	42	45.3	12	MI042

* Type S / Tipo S

Advised / Sugerito

Food industry , marine, corrosive and highly hygienic environments.

Industria alimentare, marino, ambienti corrosivi ad elevata igienicità.

Special hollow shaft Albero uscita speciale

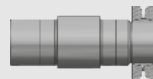
CODE **ACR...**

	øD	T	K	CODE
045	20	21.8	6	ACR20
	19	21.8	6	«S»Series
050	24	27.3	8	«S»Series
	30	33.3	8	ACR30
063	28	31.3	8	«S»Series
	30	33.3	8	ACR30
63A	25	28.3	8	«S»Series
	38	41.3	10	ACR38
110	45	48.8	14	ACR45

Advised / Sugerito

Many special options are available on request.

Altre opzioni speciali disponibili a richiesta.



Special stainless steel hollow shaft NEMA Mozzo in acciaio inox speciale NEMA

CODE **MIU...**

	øD	T	K	CODE
045	19.05 0.750"	21.3 0.841"	4.76 0.1875"	MIU19
	25.4 1.000"	28.3 1.114"	6.35 0.250"	MIU25
063	28.575 1.125"	31.6 1.245"	6.35 0.250"	MIU28
	38.1 1.500"	42.4 1.670"	9.52 0.375"	MIU38

Advised / Sugerito

USA , CANADA, MEXICO.



Oil for low temperature and food
Olio per basse temperature e alimenti



CODE **OB150**

Agip Blasia 150
Shell Omala
Oil for low temperature
Olio per basse temperature

Advised / Sugerito

Low temperature.
Basse temperature.



CODE **OF320**

Mobil SHC Cibus 320
Oil for food
Olio per alimenti

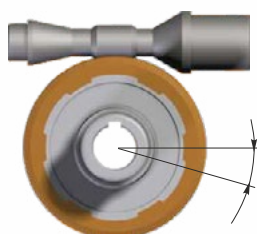
Oil for food.
Olio per alimenti.

CODE **OS320**

Shell Omala 320
Synthetic oil only available for 110
Olio sintetico disponibile solo per 110

All plugs closed, low internal pressure.
Tappi chiusi, bassa pressione interna.

Gearbox with reduced backlash
Riduttore con gioco angolare ridotto



CODE **GRID**

Code	Code
030	-
045	Available
050	Available
063/63A	Available
085	Available
110	-

Advised / Sugerito

Reduce backlash
(but not for extreme positioning).

A gioco ridotto
(ma non per il posizionamento estremo).

NEMA input flange
Flangia entrata NEMA



CODE **FLENU**

	W	X	Y
045	56C-0.625	-	-
050	56C-0.625	-	-
063	56C-0.625	143/5TC-0.875	-
085	56C-0.625	143/5TC-0.875	182/4TC-1.125

Advised / Sugerito

USA , CANADA, MEXICO.

Input shaft Viton oil seals
Anelli di tenuta in entrata Viton



CODE **ATVIE**

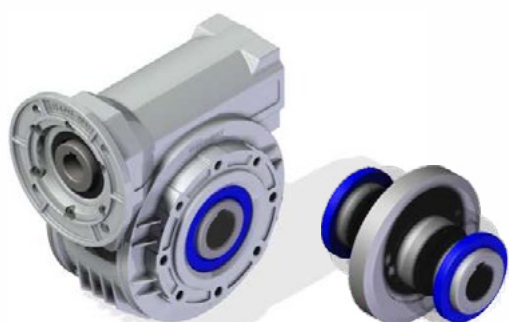
Code	Type (1pcs)
030	20x37x06
045	25x40x7
050	30x40x7 (1/7+1/30) 25x40x7 (1/36+1/100)
063/63A	35x47x7
085	45x75x10
110	45x75x10

Advised / Sugerito

For ambient temperature >40°C
Per temperatura ambiente >40°C



Output shaft Viton oil seals
Anelli di tenuta uscita Viton



CODE **ATVIU**

Code	Type (2pcs)
030	25x40x7 (1pcs) 25x47x7 (1pcs)
045	30x40x7
050	40x55x7
063/63A	45x62x7
085	55x80x8
110	65x85x10

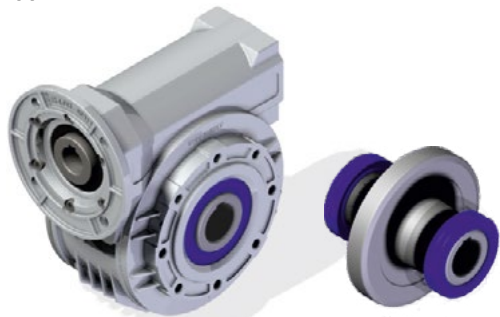
Advised / Sugerito

For ambient temperature >40°C
Per temperatura ambiente >40°C





Double output shaft seals
Doppio anello di tenuta sul mozzo

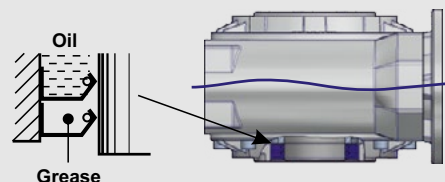


CODE **2ATUS**

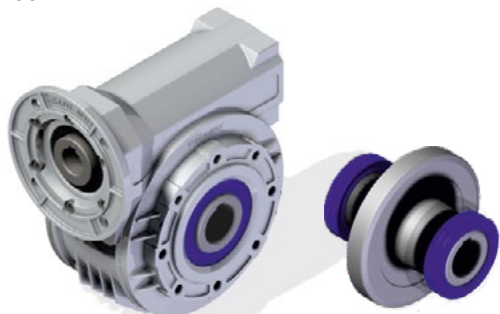
	Type (2pcs)
063/63A	45x62x7
085	55x80x8
110	65x85x10

Advised / Sugerito

Stronger oil leaks protection.
Protezione con doppio gommino.



Twin Viton seal-shield for IP 69K
Doppio anello di tenuta Viton armatura AISI 316T



CODE **2ATUV**

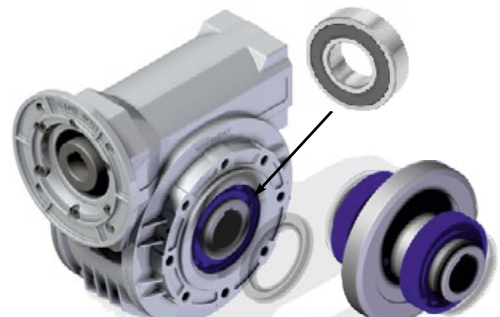
	Typr (2pcs)
030	Not available
045	30x47x10
050	40x55x10
063/63A	45x62x14.5
085	55x80x14.5

Advised / Sugerito

For ambient temperature >40°C
Per temperatura ambiente >40°C



Life lubricated bearings
Cuscinetti lubrificati a vita

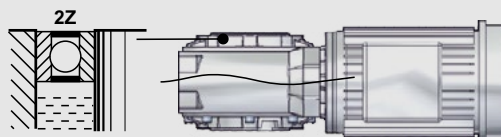


CODE **2CRSU**

	Type (2pcs)
030	Not available
045	6006
050	6008
063/63A	6009
085	6011
110	6013

Advised / Sugerito

Ideal for B6 e B7 position.
Ideale per posizione B6 e B7.



Life lubricated bearings
Cuscinetti lubrificati a vita



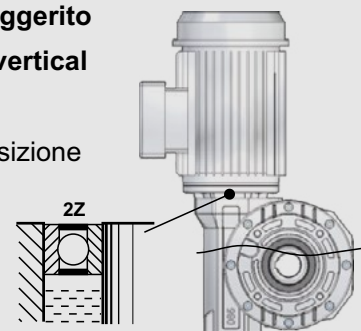
CODE **MONV5**

	(2pcs)
030	61904
045	6005
050	61906 (1/7÷1/30) 6005 (1/36÷1/100)
063/63A	6007
085	32009 + AV32009
110	

Advised / Sugerito

Ideal for V5 vertical position.

Ideale per posizione verticale V5.



Life lubricated bearings
Cuscinetti lubrificati a vita



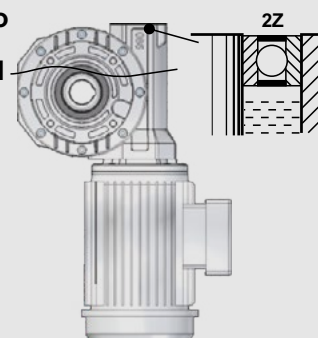
CODE **MONV6**

	(2pcs)
030	6201
045	6202
050	6204
063/63A	6304
085	30206 + AV30206
110	

Advised / Sugerito

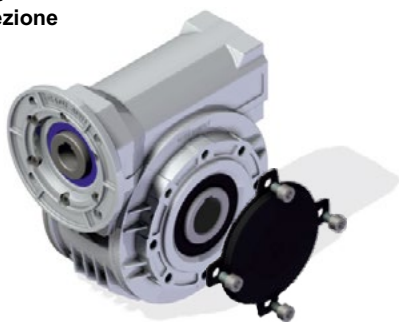
Ideal for V6 vertical position.

Ideale per posizione verticale V6.





Protection cup
Tappo di protezione

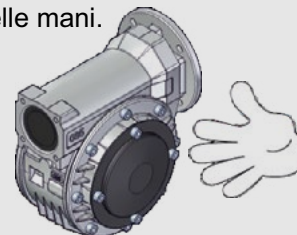


Code

030	K0300209
045	K0300209
050	K0500209
063/63A	K0630209
085	K0850209
110	K1100209

Advised / Sugerito

Hand protection.
Protezione delle mani.



Anticorrosive paint
Vernice anticorrosiva



CODE **VEACB**

Color flat GREY RAL 7035
The coating is exceptionally hard, slippery, it's used where it's required protection against external aggressive and corrosive agents.

Colore flat GREY RAL 7035
il rivestimento risulta eccezionalmente duro, scivoloso, compatto e quindi presenta una fortissima resistenza ad abrasione. Trova il suo utilizzo la dove è necessaria una protezione da agenti esterni aggressivi e corrosivi.

Advised / Sugerito

Food industry.
Industria alimentare.

Stainless steel fastners on FB
Viti fissaggio FB in acciaio inox



CODE **VCAIX**

030	Not available
045	Available
050	Available
063/63A	Available
085	Available
110	Available

Advised / Sugerito

Food industry , marine, corrosive and highly hygienic environments.
Industria alimentare, marino, ambienti corrosivi ad elevata igienicità.

Input seal without motor flange
Anello di tenuta senza flangia motore

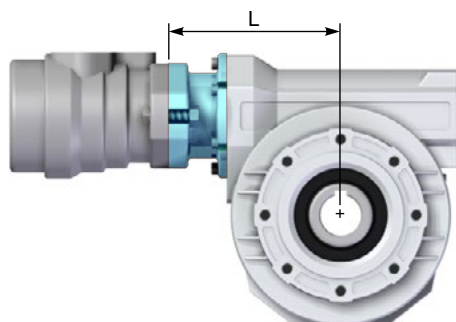


030	Not available
045	ATBA025x047x07C
050	ATBA030x047x07C (1/7+1/30) ATBA025x047x07C (1/36+1/100)
063/63A	ATBA035x062x07C

Advised / Sugerito

-

Hydraulic motor flanges
Flange motore idraulico



CODE **MY016**

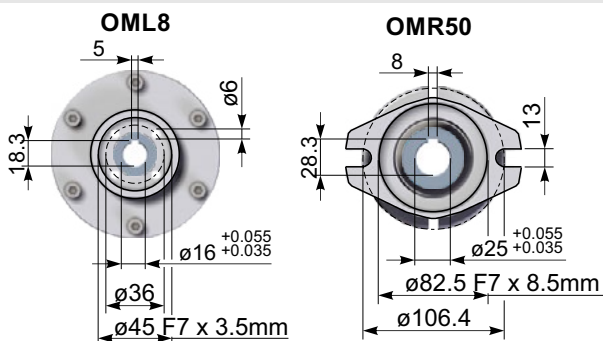
OML8	L
050	76.5
063/63A	93.5
085	110
110	129.5

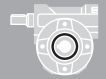
CODE **MY025**

OMR50	L
063/63A	129
085	148
110	167.5

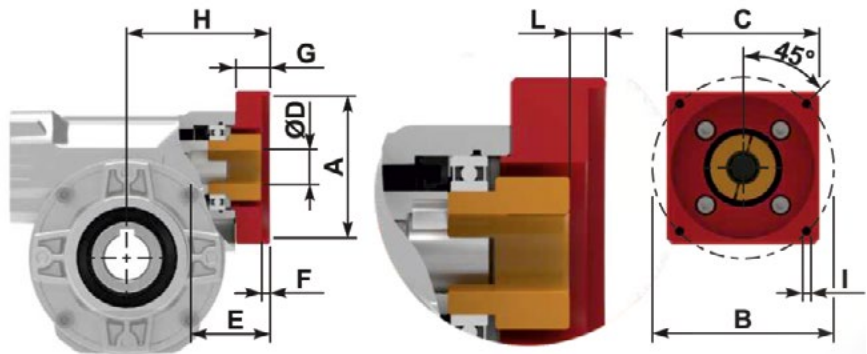
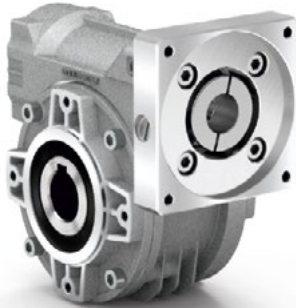
Advised / Sugerito

Agriculture, mobile, marine.
Agricoltura, macchine operatrici, marino.

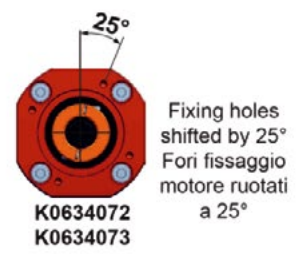
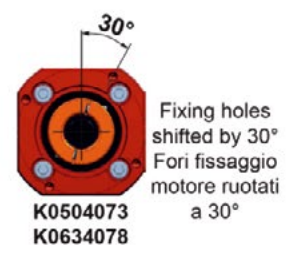
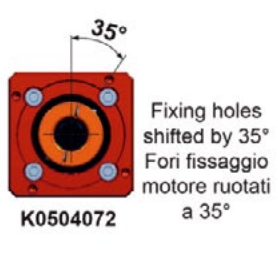




Flanges for servomotors Flange per servomotori



Input flanges Kit Code	Bushing Kit Code	Coupling Kit Code	Motor shaft Ø	Type																
				030 Nm	045 41	050 72	063 147	63A 191	085 347	H										
K0304071	KBR0914G	KC0305190L	Ø9	40	63	58	Ø14	30	4	20	4.7	M5x12	68							
K0304072	KBR1114G	KC0305190L	Ø11	60	75	70	Ø14	30	4.5	20	4.7	M5x12	68							
K0304073	-	KC0305190L	Ø14	50	70	60	Ø14	32	4.5	28.5	13.2	M5x12	76.5							
K0504072	KBR1114G	KC355190L	Ø11	60	75	70	Ø14	44	4.5	23	9	M5x12		79						
K0504073	-	KC355190L	Ø14	50	70	70	Ø14	44	4.5	23	9	M5x12		79						
K0504074	-	KC355190L	Ø14	80	100	85	Ø14	44	4.5	23	9	M6x12		79						
K0504072	KBR1119G	KC0505190L	Ø11	60	75	70	Ø19	48	4.5	23	9	M5x12			83.5					
K0504072	KBR1419G	KC0505190L	Ø14	60	75	70	Ø19	48	4.5	23	9	M5x12			83.5					
K0504073	KBR1419G	KC0505190L	Ø14	50	70	70	Ø19	48	4.5	23	9	M5x12			83.5					
K0504074	KBR1419G	KC0505190L	Ø14	80	100	85	Ø19	48	4.5	23	9	M6x12			83.5					
K0504075	-	KC0505190L	Ø19	95	115	100	Ø19	48	4.5	23	9	M8x12			83.5					
K0504078	-	KC0505190L	Ø19	70	90	80	Ø19	48	4.5	23	9	M6x12			83.5					
K0634072	KBR1422G	KC405190L	Ø14	60	75	90	Ø22	58	4.5	25	9	M5x12				104.5	104.5			
K0634073	KBR1422G	KC405190L	Ø14	50	70	80	Ø22	58	4.5	25	9	M5x12				104.5	104.5			
K0634074	KBR1422G	KC405190L	Ø14	80	100	85	Ø22	58	4.5	25	9	M6x12				104.5	104.5			
K0634075	KBR1922G	KC405190L	Ø19	95	115	100	Ø22	58	4.5	25	9	M8x12				104.5	104.5			
K0634076	-	KC405190L	Ø22	110	145	130	Ø22	63	4.5	30	14	M8x14				109.5	109.5			
K0634078	KBR1922G	KC405190L	Ø19	70	90	90	Ø22	58	4.5	25	9	M6x12				104.5	104.5			
K0854075	KBR1924G	KC505190L	Ø19	95	115	100	Ø24	60	4.5	26	9.5	M8x14								124.5
K0854076	KBR2224G	KC505190L	Ø22	110	145	130	Ø24	64	5	30	13.5	M8x14								128.5
K0854077	-	KC505190L	Ø24	130	165	140	Ø24	60	5	26	9.5	M8x14								124.5
K0854078	KBR1924G	KC505190L	Ø19	70	90	95	Ø24	60	4.5	26	9.5	M6x14								124.5



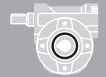
Housing with oil plug Tappo olio su cassa



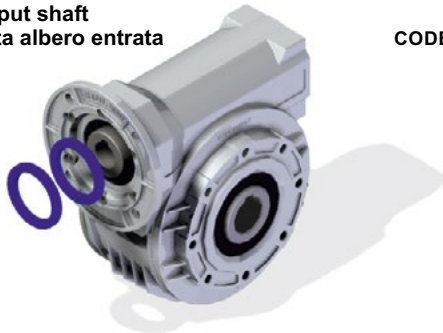
CODE **TOSCA**

030	Not available
045	Available
050	Available
063/63A	Available
085	Available

Advised / Sugerito



Double oil seals on input shaft
Doppio anello di tenuta albero entrata

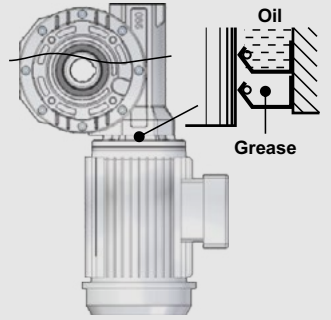


CODE **2ATEN**

Advised / Sugerito

Ideal for V6 vertical position.

Ideale per posizione verticale V6.



		030	045	050	063/63A	085	110
IEC	56 B5	Not available	—	—	—	—	—
	63 B5	Not available	25x40x7	30x40x7 (1/7+1/30) 25x40x7 (1/36+1/100)	35x47x7	—	—
	71 B5	—	Not available	Not available	35x47x7	45x62x7	45x62x7
	80+90 B5	—	—	Not available	35x47x7	45x62x7	45x62x7
	100+112 B5	—	—	—	—	45x62x7	45x62x7
	132 B5	—	—	—	—	—	Not available
NEMA	56 B14	Not available	25x40x7	25x40x7 (1/36+1/100)	—	—	—
	63 B14	Not available	Not available	Not available	—	—	—
	71 B14	—	25x40x7	30x40x7 (1/7+1/30) 25x40x7 (1/36+1/100)	35x47x7	—	—
	80 B14	—	—	30x40x7 (1/7+1/30)	35x47x7	45x62x7	45x62x7
	90 B14	—	—	—	35x47x7	45x62x7	45x62x7
	100+112 B14	—	—	—	—	45x62x7	45x62x7
	132 B14	—	—	—	—	—	Not available
	56C	—	25x40x7	25x40x7	35x47x7	45x62x7	—
143/5TC	—	—	—	35x47x7	45x62x7	—	
182/4TC	—	—	—	—	45x62x7	—	

Extended worm shaft kit
Kit vite bisporgente

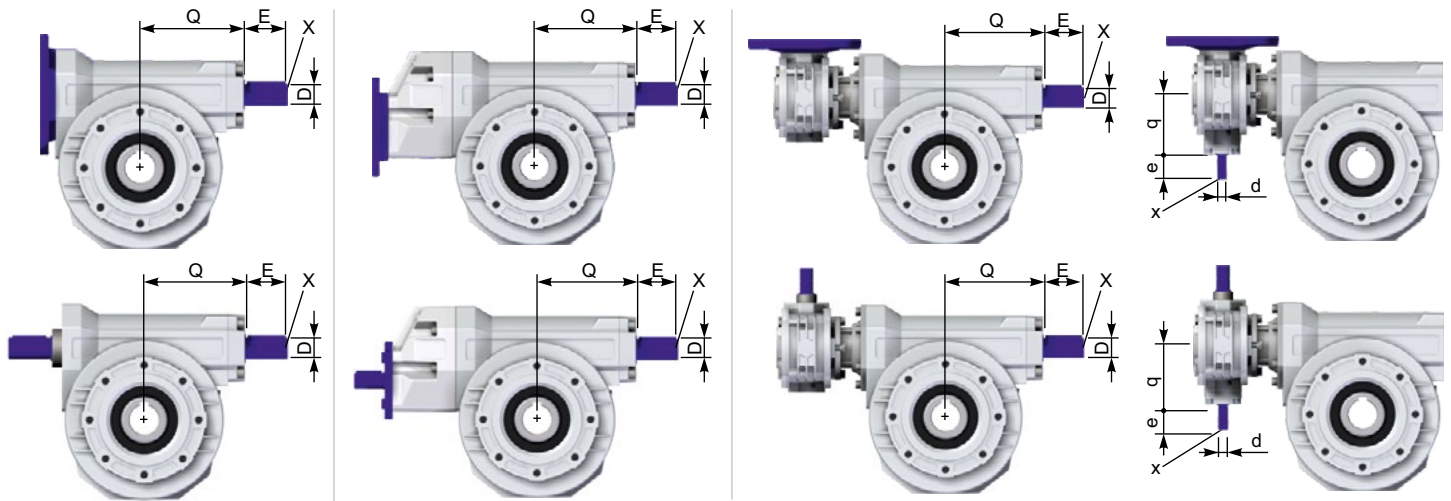
CODE **2VBS_**

030 and 045 not available for R version.
030 e 045 non disponibili per la versione R.

Solid extended worm shaft
Vite bisporgente integrale

CODE **2VBSI**

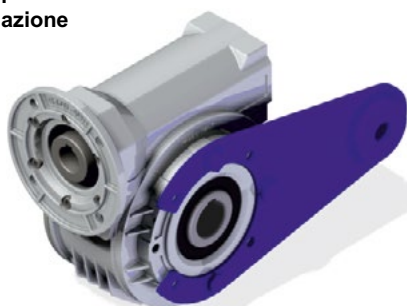
Solid extended worm shaft is not available for type 110.
Vite bisporgente integrale non è disponibile per il 110.



	030	045	050	063	63A	085	110
	—	P45	P50	P63	P6A	P85	P110
	303	453 (045+030)	503 (050+030)	633 6A3 (063+030) (63A+030)	634 6A4 (063+045) (63A+045)	854 (085+45)	115 (110+050)
D	9	11	16	18	18	25	25
E	20	30	30	48	48	50	60
Q	56	74	77.5	92.5	92.5	121	135.5
X	—	M5	M6	M6	M6	M8	M8
d	9	9	9	9	11	11	16
e	20	20	20	20	30	30	30
q	56	56	56	56	74	74	77.5
x	—	—	—	—	M5	M5	M6



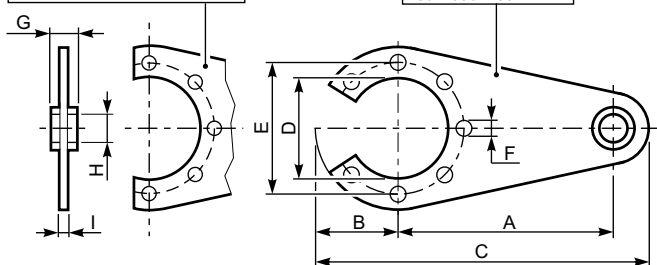
Reaction arm Braccio di reazione



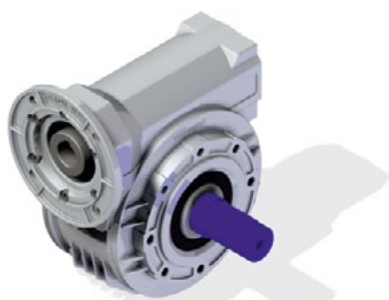
				A	B	C	D	E	F	G	H	I	Code
030	—	—	—	100	40	158	51	65	7	-	8.2	4	K0459027
045	P45	453	—	100	55	173	69	94	7	-	8.2	4	K0509027
063	P63	633/634	—	150	55	235	76	90	9	20	11	6	K0639027
63A	P6A	6A3/6A4	—	150	55	235	76	90	9	20	11	6	K0709027
085	P85	854	—	200	80	320	111	130	11	25	21	6	K0859027
110	P10	115	—	250	100	391	130.5	165	13	25	21	6	K1109027

063 - 63A - 110
P63 - P6A - P10
633 - 6A3 - 634 - 6A4 - 115

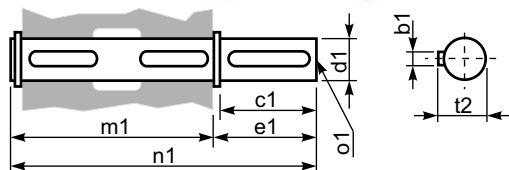
030 - 045 - 050 - 085
P45 - P50 - P85
453 - 503 - 854



Single output shaft Albero lento a una sporgenza



				b1	c1	d1 ^{-0.005} _{-0.020}	e1	m1	n1	o1	t2	Code
030	—	—	—	5	25	14	35.5	59	94.5	M5x14	16	K0305028
045	P45	453	—	6	32	18	43	70	113	M6x18	20.5	K0455028
			—	6	40	19	58.5	70	128.5	M8x20	21.5	KS0455030 *
050	P50	503	—	8	52	25	59.5	86.5	146	M8x20	28	K0505028
			—	8	50	24	68.5	86.5	155	M8x20	27	KS0505030 *
063	P63	633/634	—	8	60	25	63.2	126.8	190	M8x20	28	K0635028
63A	P6A	6A3/6A4	—	8	60	28	63.5	127.5	191	M8x20	31	K0705028
085	P85	854	—	10	60	35	73.5	141	214.5	M10x23	38	K0855028
110	P10	115	—	12	75	42	96.5	163.5	260	M12x32	45	K1105028

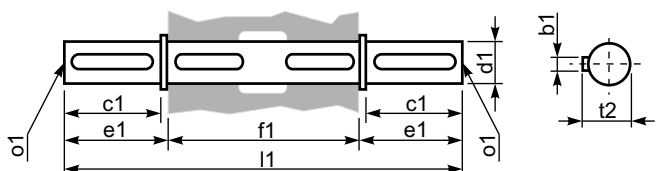


* Type S / Tipo S

Double output shaft Albero lento a doppia sporgenza



				b1	c1	d1 ^{-0.005} _{-0.020}	e1	f1	l1	o1	t2	Code
030	—	—	—	5	25	14	35.5	55	126	M5x14	16	K0305029
045	P45	453	—	6	32	18	43	65	151	M6x18	20.5	K0455029
			—	6	40	19	58.5	65	182	M8x20	21.5	KS0455031 *
050	P50	503	—	8	52	25	59.5	81	200	M8x20	28	K0505029
			—	8	50	24	68.5	81	218	M8x20	27	KS0505031 *
063	P63	633/634	—	8	60	25	63.2	120	246.4	M8x20	28	K0635029
63A	P6A	6A3/6A4	—	8	60	28	63.5	120	247	M8x20	31	K0705029
085	P85	854	—	10	60	35	73.5	135	282	M10x23	38	K0855029
110	P10	115	—	12	75	42	96.5	155	348	M12x32	45	K1105029



* Type S / Tipo S