



**ATEX Reducer category 2**  
Riduttore ATEX categoria 2

CODE **AX121**

**Advised / Sugerito**



**Atex Cat. 2**

For more information see our guide «Atex installation and maintenance guide» on our website.

Per ulteriori informazioni, consultare la nostra guida «Atex guida alla manutenzione e installazione» sul nostro sito..



- Use of synthetic oil and with oil plugs (oil plugs when possible).
- VITON oil seals.
- Loctite on all external screws.
- Double input seals, when possible.
- Additional output oil seals when possible.
- Indication of maximum temperature gauge.
- Utilizzo di olio sintetico e con tappi olio (tappi olio dove è possibile) .
- Anelli di tenuta in VITON.
- Frena filetti su tutte le viti fissaggio esterne.
- Doppio anello di tenuta in entrata , dove è possibile
- Anelli di tenuta supplementare in uscita dove è possibile.
- Indicatore visivo di temperatura di massima.

**ATEX Reducer category 3**  
Riduttore ATEX categoria 3

CODE **AX222**

**Advised / Sugerito**

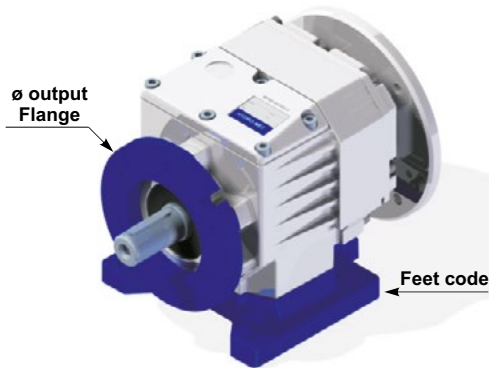


**Atex Cat. 3**

For more information see our guide «Atex installation and maintenance guide» on our website.

Per ulteriori informazioni, consultare la nostra guida «Atex guida alla manutenzione e installazione» sul nostro sito..

- Use of synthetic oil and with oil plugs (oil plugs when possible).
- Utilizzo di soli olio sintetico e con tappi olio (tappi olio dove è possibile) .



Mounting with feet and output flange / Montaggio con piedini e flangia di uscita

	ø output Flange	B1	B2	B3	B4	S1	S2	S4	M1	M2	M3	H2	H3	H4
202A	120	●				●								
	140	●												
	160													
302A	200													
	120	●	●			●	●		●			●		
	140	●	●			●	●		●			●		
	160	●	●				●		●			●		
412/3A	200						●					●		
	250													
	160			●	●			●		●	●		●	●
452A	200			●	●			●		●	●		●	●
	250			●	●			●		●	●		●	●
	300			●	●			●		●	●		●	●
512/3A	200			●	●			●		●	●		●	●
	250			●	●			●		●	●		●	●
612/3A	200			●	●			●		●	●		●	●
	250			●	●			●		●	●		●	●

● Available / Disponibile

**Oil for low temperature and food**  
Olio per basse temperature e alimenti

CODE **OB150**

**Advised / Sugerito**



**Low temperature.**  
Basse temperature.



**Agip Blasia 150**  
**Shell Omala**  
Oil for low temperature  
Olio per basse temperature

CODE **OF320**

**Oil for food.**

Olio per alimenti.

**Mobil SHC Cibus 320**  
Oil for food  
Olio per alimenti

**Output shaft Viton oil seals**  
Anelli di tenuta uscita in Viton

CODE **ATVIU**

**Advised / Sugerito**

**For ambient temperature >40°C**  
Per temperatura ambiente >40°C



	Type
202A	30x47x7
302A	30x47x7
412/3A	30x52x7
452A	45x62x7
512/3A	35x72x7
612/3A	45x85x7



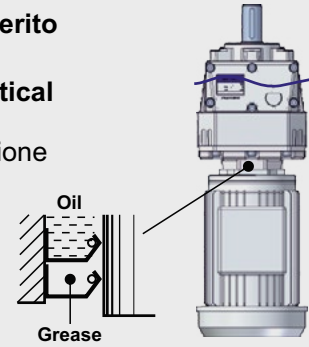
Double input oil seal  
Doppio anello di tenuta in entrata

CODE **2ATEN**

Advised / Sugerito



Ideal for V6 vertical position.  
Ideale per posizione verticale V6.



	202A	302A	412A	413A	452A	512A / 612A	513A / 613A
<b>IEC</b>	56 B5	—	—	—	—	—	—
	63 B5	20x40x7	35x47x7	35x47x7	25x40x7	—	35x47x7
	71 B5	Not available	35x47x7	35x47x7	Not available	45x62x7	35x47x7
	80÷90 B5	—	35x47x7	35x47x7	—	45x62x7	35x47x7
	100÷112 B5	—	—	—	—	Not available	Not available
	132 B5	—	—	—	—	Not available	Not available
	56 B14	15x40x7	—	—	15x40x7	—	—
	63 B14	Not available	—	—	Not available	—	—
	71 B14	25x40x7	35x47x7	35x47x7	25x40x7	—	35x47x7
	80 B14	—	35x47x7	35x47x7	—	Not available	Not available
90 B14	—	35x47x7	35x47x7	—	Not available	Not available	
100÷112 B14	—	—	—	—	45x62x7	45x62x7	
132 B14	—	—	—	—	Not available	Not available	
<b>NEMA</b>	56C	25x40x7	35x40x7	35x40x7	25x40x7	45x62x7	35x47x7
	143/5TC	—	35x40x7	35x40x7	—	45x62x7	35x47x7
	182/4TC	—	—	—	—	45x62x7	—

Life lubricated bearings  
Cuscinetti lubrificati a vita

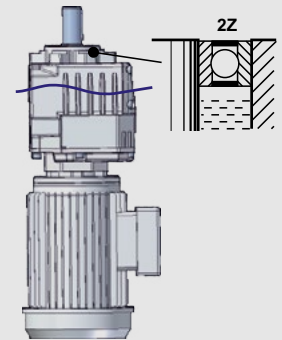
CODE **MONV6**

Advised / Sugerito



	Type
202A	6204
302A	6204
412/3A	6205
452A	6206
512/3A	6207
612/3A	6209

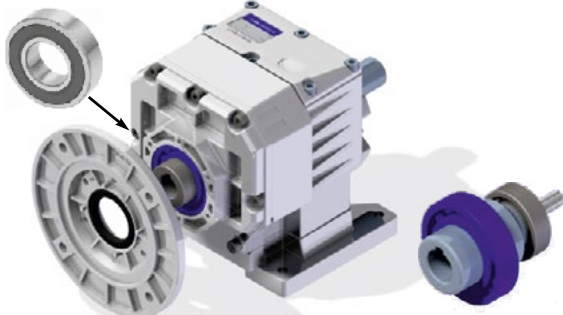
Ideal for V6 vertical position.  
Ideale per posizione verticale V6.



Life lubricated bearings  
Cuscinetti lubrificati a vita

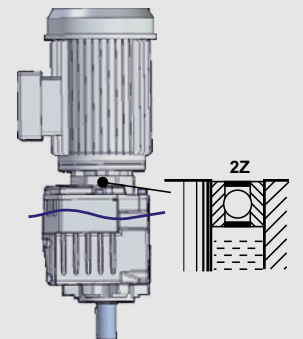
CODE **MONV5**

Advised / Sugerito



	Type
202A	6005
413A	6005
302A	6007
412A	6007
513A	6007
613A	6007
452A	6009
512A	6009
612A	6009

Ideal for V5 vertical position.  
Ideale per posizione verticale V5.



Input with Viton oil seal  
Anello di tenuta Viton in entrata

CODE **Input without coupling**  
Entrata senza giunto

Advised / Sugerito



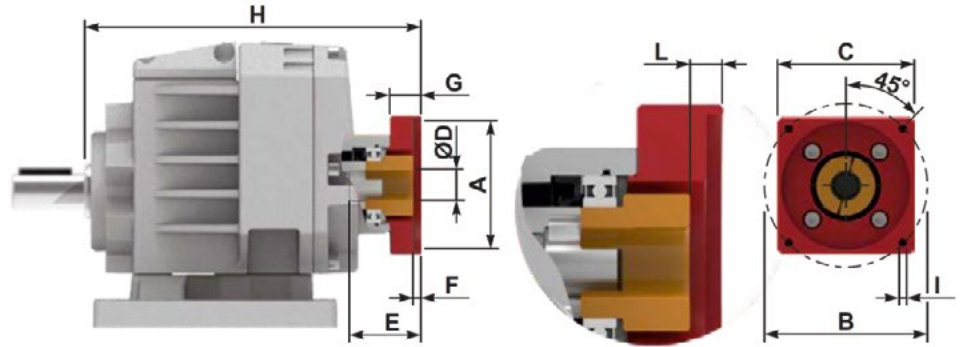
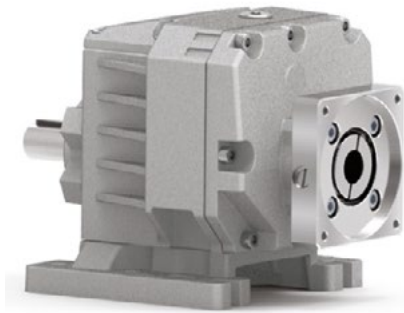
	Type
202A	25x40x7
413A	25x40x7
302A	35x47x7
412A	35x47x7
513A	35x47x7
613A	35x47x7
452A	45x62x8
512A	45x62x8
612A	45x62x8

For ambient temperature >40°C  
Per temperatura ambiente >40°C





Flanges for servomotors  
Flange per servomotori



Type 412A 413A 512A 513A 612A 613A

Input flanges Kit Code	Bushing Kit Code	Coupling Kit Code	Motor shaft Ø											Nm									
				A	B	C	ØD	E	F	G	L	I	H	160	160	350	350	520	520				
K0504072	KBR1114G	KC355190L	Ø11	60	75	70	Ø14	38	4.5	23	9	M5x12						190.5					
K0504072	-	KC355190L	Ø14	60	75	70	Ø14	38	4.5	23	9	M5x12						190.5					
K0504073	-	KC355190L	Ø14	50	70	70	Ø14	38	4.5	23	9	M5x12						190.5					
K0504074	-	KC355190L	Ø14	80	100	85	Ø14	38	4.5	23	9	M6x12						190.5					
K0634072	KBR1422G	KC405190L	Ø14	60	75	90	Ø22	55.5	4.5	25	9	M5x12	186.5							243			260
K0634073	KBR1422G	KC405190L	Ø14	50	70	80	Ø22	55.5	4.5	25	9	M5x12	186.5							243			260
K0634074	KBR1422G	KC405190L	Ø14	80	100	85	Ø22	55.5	4.5	25	9	M6x12	186.5							243			260
K0634075	KBR1922G	KC405190L	Ø19	95	115	100	Ø22	55.5	4.5	25	9	M8x12	186.5							243			260
K0634076	-	KC405190L	Ø22	110	145	130	Ø22	60.5	4.5	30	14	M8x14	191.5							248			265
K0634078	KBR1922G	KC405190L	Ø19	70	90	90	Ø22	55.5	4.5	25	9	M6x12	186.5							243			260
K0854075	KBR1924G	KC505190L	Ø19	95	115	100	Ø24	58	4.5	26	9.5	M8x14							235.5			252	
K0854076	KBR2224G	KC505190L	Ø22	110	145	130	Ø24	62	5	30	13.5	M8x14							239.5			256	
K0854077	-	KC505190L	Ø24	130	165	140	Ø24	58	5	26	9.5	M8x14							235.5			252	
K0854078	KBR1924G	KC505190L	Ø19	70	90	95	Ø24	58	4.5	26	9.5	M6x14							235.5			252	



Supplied with  
reduction bushing  
Fornito con  
bussola di riduzione

Coupling  
Giunto



K0504072

Fixing holes  
shifted by 35°  
Fori fissaggio  
motore ruotati  
a 35°



K0504073  
K0634078

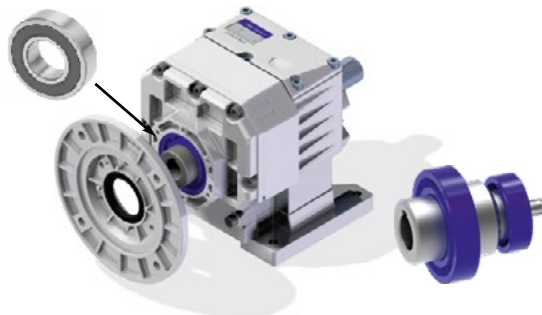
Fixing holes  
shifted by 30°  
Fori fissaggio  
motore ruotati  
a 30°



K0634072  
K0634073

Fixing holes  
shifted by 25°  
Fori fissaggio  
motore ruotati  
a 25°

Life lubricated two bearings  
Due Cuscinetti lubrificati a vita



CODE **2CRS1**

	Type
202A	6202
403A	6005
302A	6004
402A	6007
503A	6007
603A	
452A	6205
502A	6009
602A	

Advised / Sugerito





Output shaft in inches  
Albero uscita in pollici

CODE **AUSUS**

Advised / Suggestito

USA , CANADA, MEXICO.



	Inch	mm
202A	0.625	15.875
	0.750	19.050
302A	0.750	19.050
	1.000	25.400
412/3A	0.750	19.050
	1.250	31.750
452A	1.250	31.750
	1.375	34.925

NEMA input flange  
Flangia entrata Nema

CODE **FLENU**

Advised / Suggestito

USA , CANADA, MEXICO.



	-W	-X	-Y
202A	56C-0.625	—	—
302A	56C-0.625	143/5TC-0.875	—
412A	56C-0.625	143/5TC-0.875	—
413A	56C-0.625	—	—
452A	56C-0.625	143/5TC-0.875	182/4TC-1.125
512A	56C-0.625	143/5TC-0.875	182/4TC-1.125
513A	56C-0.625	143/5TC-0.875	—
612A	56C-0.625	143/5TC-0.875	182/4TC-1.125
613A	56C-0.625	143/5TC-0.875	—

Special output shaft for pumps driven  
Albero uscita speciale per azionamento pompe

Advised / Suggestito

Special output shaft for pumps driven ,  
for more information contact us.  
Albero di uscita speciale azionamento pompe,  
per maggiori informazioni contattateci.

