



ATEX Reducer category 2
Riduttore ATEX categoria 2



CODE **AX121**

- Use of synthetic oil and with oil plugs (oil plugs when possible).
- VITON oil seals.
- Loctite on all external screws.
- Double input seals, when possible.
- Additional output oil seals when possible.
- Indication of maximum temperature gauge.
- Utilizzo di olio sintetico e con tappi olio (tappi olio dove è possibile).
- Anelli di tenuta in VITON.
- Frena filetti su tutte le viti fissaggio esterne.
- Doppio anello di tenuta in entrata, dove è possibile.
- Anelli di tenuta supplementare in uscita dove è possibile.
- Indicatore visivo di temperatura di massima.

Advised / Sugerito



Atex Cat. 2

For more information see our guide «Atex installation and maintenance guide» on our website.

Per ulteriori informazioni, consultare la nostra guida «Atex guida alla manutenzione e installazione» sul nostro sito..

ATEX Reducer category 3
Riduttore ATEX categoria 3

CODE **AX222**

- Use of synthetic oil and with oil plugs (oil plugs when possible).
- Utilizzo di soli olio sintetico e con tappi olio (tappi olio dove è possibile).

Advised / Sugerito

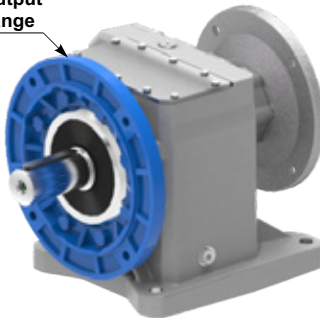


Atex Cat. 3

For more information see our guide «Atex installation and maintenance guide» on our website.

Per ulteriori informazioni, consultare la nostra guida «Atex guida alla manutenzione e installazione» sul nostro sito..

ø output Flange



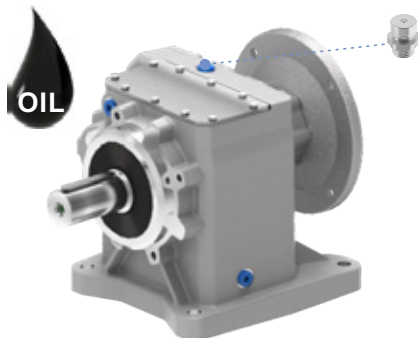
Mounting with feet and output flange
Montaggio con piedini e flangia di uscita

	ø output Flange	B4	B5	S6	S7	S8		ø output Flange	S9	S0
712C	200	●		●			** 1002	300	●	
713C	250							1003	350	●
812C	250		●		●		** 1102	450	●	
813C	300							1103	350	
** 862C	300					●		450		●
863C	350					●				

● Available / Disponibile

** Housing with integral feet S8 / Cassa con piede integrale S8

Oil for low temperature and food
Olio per basse temperature e alimenti



CODE **OB150**

Agip Blasias 150
Shell Omala
Oil for low temperature
Olio per basse temperature

Advised / Sugerito

Low temperature.

* With pressure oil valve plug

Basse temperature.

* con tappo olio con valvola



CODE **OF320**

Mobil SHC Cibus 320
Oil for food/Olio per alimenti

Oil for food.

Olio per alimenti.

CODE **OS320**

Shell Omala 320
Synthetic oil only available for 712/3C, 812/3C and 862/3C.
Olio sintetico disponibile solo per 712/3C, 812/3C e 862/3C.

All plugs closed, low internal pressure.
Tappi chiusi, bassa pressione interna.

Output shaft Viton oil seals
Anelli di tenuta uscita in Viton



CODE **ATVIU**

	Type
712C	45x85x10
713C	45x85x10
812C	45x85x10
813C	45x85x10
862C	60x85x8+
863C	OR+spacer
1002	85x130x12
1003	85x130x12
1102	90x140x13
1103	90x140x13

Advised / Sugerito

For ambient temperature >40°C
Per temperatura ambiente >40°C





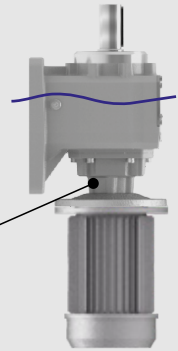
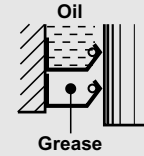
Double input oil seal
Doppio anello di tenuta in entrata

CODE **2ATEN**

Advised / Sugerito



Ideal for V6 vertical position.
Ideale per posizione verticale V6.

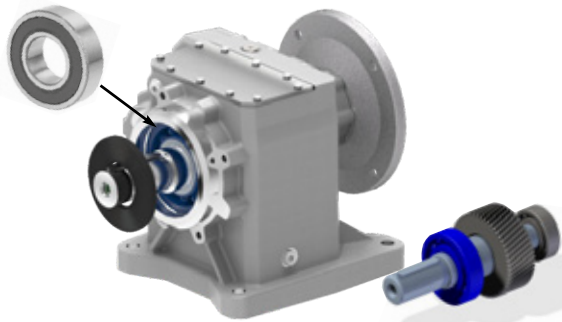


	712C 812C	713C 813C	862C	863C	1002	1003	1102	1103	
IEC	56 B5	—	—	—	—	—	—	—	
	63 B5	—	35x47x7	—	—	—	—	—	
	71 B5	—	35x47x7	—	45x62x7	—	—	—	
	80÷90 B5	45x62x7	35x47x7	—	45x62x7	—	—	—	
	100÷112 B5	Not available	Not available	—	Not available	—	—	—	
	132 B5	Not available	—	Not available	Not available	80x140x13	Not available	80x140x13	Not available
	160 B5	—	—	Not available	—	80x140x13	Not available	80x140x13	Not available
	180 B5	—	—	Not available	—	80x140x13	Not available	80x140x13	Not available
	200 B5	—	—	—	—	80x140x13	—	80x140x13	—
	225 B5	—	—	—	—	—	—	80x140x13	—
NEMA	56 B14	—	—	—	—	—	—	—	
	63 B14	—	—	—	—	—	—	—	
	71 B14	—	35x47x7	—	—	—	—	—	
	80 B14	Not available	35x47x7	Not available	Not available	—	—	—	
	90 B14	Not available	35x47x7	Not available	Not available	—	—	—	
	100÷112 B14	45x62x7	Not available	—	45x62x7	—	—	—	
	132 B14	Not available	—	—	Not available	—	—	—	
	56C	45x62x7	35x47x7	—	45x62x7	—	—	—	
	143/5TC	45x62x7	35x47x7	—	45x62x7	—	Not available	—	Not available
	182/4TC	45x62x7	—	Not available	45x62x7	—	Not available	—	Not available
213/5TC	Not available	—	Not available	Not available	—	Not available	—	Not available	
254/6TC	—	—	Not available	—	80x140x13	—	80x140x13	—	
213/5TC	—	—	—	—	80x140x13	—	80x140x13	—	

Life lubricated bearings
Cuscinetti lubrificati a vita

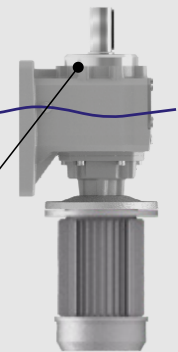
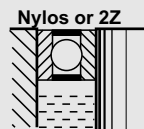
CODE **MONV6**

Advised / Sugerito



	Type
712C 713C	Av30209
812C 813C	Av30209
862C 863C	6312
1002 1003	AV32017 AV32307
1102 1103	AV32018 AV32308

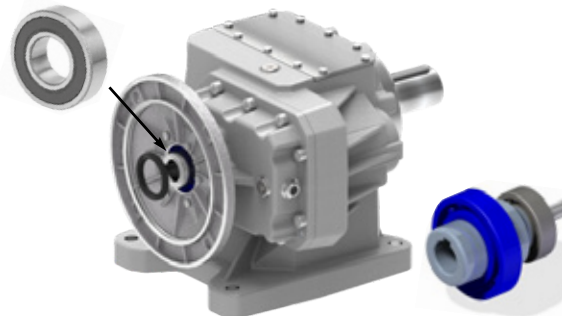
Ideal for V6 vertical position.
Ideale per posizione verticale V6.



Life lubricated bearings
Cuscinetti lubrificati a vita

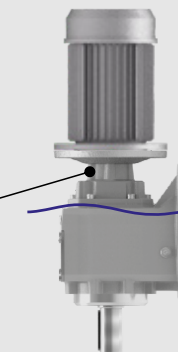
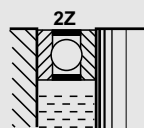
CODE **MONV5**

Advised / Sugerito



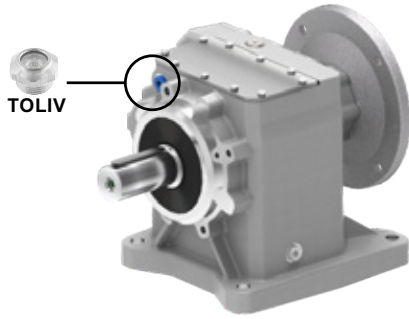
	Type
713C 813C	6007
712C 812C 862C 863C	6009
1003 1103	6013

Ideal for V5 vertical position.
Ideale per posizione verticale V5.





Housing with oil level plugs
Cassa con tappo livello olio



CODE **TOLIV**

Advised / Sugerito

Type	
712C 713C	1/4G

With level oil plug.
Con tappo livello olio.

Input Viton oil seal
Anello di tenuta Viton in entrata



CODE **ATVIE**

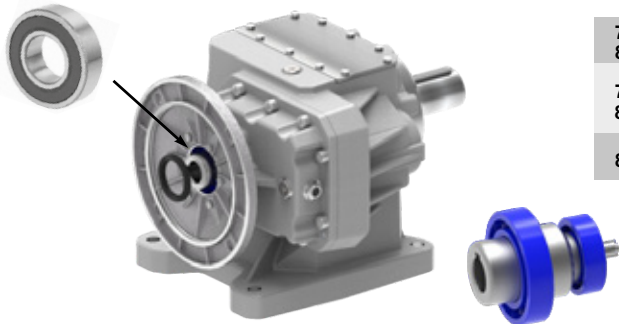
Advised / Sugerito

Type	
712C 712C	45X62X8
813C 813C	30x47x7 35x47x7
863C	35x62x7 40x62x7

For ambient temperature >40°C
Per temperatura ambiente >40°C



Life lubricated two bearings
Due Cuscinetti lubrificati a vita



CODE **2CRS1**

Advised / Sugerito

Type	
713C 813C	6004 6007
712C 812C	6207 6009
863C	6205 6009

NEMA input flange.
Flangia entrata NEMA.



CODE **FLENU**

Advised / Sugerito

USA , CANDA, MEXICO.

	-W	-X	-Y	AA	AB
713C 813C	56C-0.625	143/5TC-0.875	—	—	—
862C	—	—	182/4TC-1.125	213/5TC-1.375	254/6TC-1.625
712C 812C 863C	—	143/5TC-0.875	182/4TC-1.125	213/5TC-1.375	—