



ATEX Reducer category 2
Riduttore ATEX categoria 2



CODE **AX121**

- Use of synthetic oil and with oil plugs (oil plugs when possible).
- VITON oil seals.
- Loctite on all external screws.
- Double input seals, when possible.
- Additional output oil seals when possible.
- Indication of maximum temperature gauge.
- Utilizzo di olio sintetico e con tappi olio (tappi olio dove è possibile).
- Anelli di tenuta in VITON.
- Frena filetti su tutte le viti fissaggio esterne.
- Doppio anello di tenuta in entrata, dove è possibile.
- Anelli di tenuta supplementare in uscita dove è possibile.
- Indicatore visivo di temperatura di massima.

Advised / Sugerito



Atex Cat. 2

For more information see our guide «Atex installation and maintenance guide» on our website.

Per ulteriori informazioni, consultare la nostra guida «Atex guida alla manutenzione e installazione» sul nostro sito..

ATEX Reducer category 3
Riduttore ATEX categoria 3

CODE **AX222**

- Use of synthetic oil and with oil plugs (oil plugs when possible).
- Utilizzo di soli olio sintetico e con tappi olio (tappi olio dove è possibile).

Advised / Sugerito

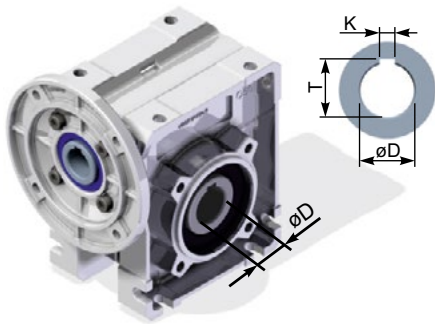


Atex Cat. 3

For more information see our guide «Atex installation and maintenance guide» on our website.

Per ulteriori informazioni, consultare la nostra guida «Atex guida alla manutenzione e installazione» sul nostro sito..

Special stainless steel hollow shaft
Mozzo in acciaio inox speciale



CODE **MI0...**

	øD	T	K	CODE
Q30	14	16.3	5	MI014
Q45	18	20.8	6	MI018
	19	21.8	6	MI019 *
Q50	25	28.3	8	MI025
	24	27.3	8	MI024 *
Q63	25	28.3	8	MI025
	28	31.3	8	MI028
Q75	42	45.3	12	MI030
Q85	35	38.3	10	MI035
Q11	42	45.3	12	MI042

* Type S / Tipo S

Advised / Sugerito

Food industry, marine, corrosive and highly hygienic environments.

Industria alimentare, marino, ambienti corrosivi ad elevata igienicità.

Special hollow shaft
Albero uscita speciale

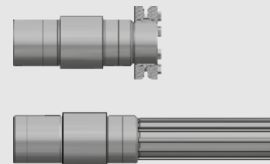
CODE **ACR...**

	øD	T	K	CODE
Q45	20	21.8	6	ACR20
	19	21.8	6	«S»Series
Q50	24	27.3	8	«S»Series
Q63	30	33.3	8	ACR30
	28	31.3	8	«S»Series
Q75	28	31.3	8	ACR28
Q85	38	41.3	10	ACR38
Q11	45	48.8	14	ACR45
Q13/Q15	Not available			-

Advised / Sugerito

Many special options are available on request.

Altre opzioni speciali disponibili a richiesta.



Special stainless steel hollow shaft NEMA
Mozzo in acciaio inox speciale NEMA

CODE **MIU...**

	øD	T	K	CODE
Q45	19.05 0.750"	21.3 0.841"	4.76 0.1875"	MIU19
Q50	25.4 1.000"	28.3 1.114"	6.35 0.250"	MIU25
Q63	28.575 1.125"	31.6 1.245"	6.35 0.250"	MIU28
Q85	38.1 1.500"	42.4 1.670"	9.52 0.375"	MIU38
Q75 / Q11 Q13 / Q15	Not available			-

Advised / Sugerito

USA , CANADA, MEXICO.



Oil for low temperature and food
Olio per basse temperature e alimenti



CODE **OB150**

Agip Blasia 150
Shell Omala
Oil for low temperature
Olio per basse temperature

Advised / Sugerito

Low temperature.
Basse temperature.



CODE **OF320**

Mobil SHC Cibus 320
Oil for food
Olio per alimenti

Oil for food.
Olio per alimenti.

CODE **OS320**

Shell Omala 320
Synthetic oil only available for Q13 and Q15
Olio sintetico disponibile solo per Q13 e Q15

All plugs closed, low internal pressure.
Tappi chiusi, bassa pressione interna.

NEMA input flange
Flangia entrata NEMA



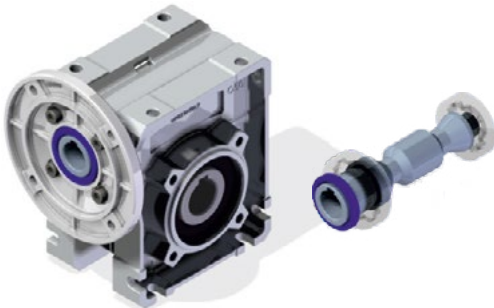
CODE **FLENU**

	W	X	Y
Q45	56C-0.625	-	-
Q50	56C-0.625	-	-
Q63	56C-0.625	143/5TC-0.875	-
Q85	56C-0.625	143/5TC-0.875	182/4TC-1.125
Q75 / Q11 Q13 / Q15	Not available		

Advised / Sugerito

USA , CANADA, MEXICO.

Input shaft Viton oil seals
Anelli di tenuta in entrata Viton



CODE **ATVIE**

	Type (1pcs)
Q30	20x37x06
Q45	25x40x7
Q50	30x40x7 (1/7+1/30) 25x40x7 (1/36+1/100)
Q63	35x47x7
Q75	40x68x10
Q85 / Q11	45x75x10
Q13 / Q15	Not available

Advised / Sugerito

For ambient temperature >40°C
Per temperatura ambiente >40°C



Output shaft Viton oil seals
Anelli di tenuta uscita Viton



CODE **ATVIU**

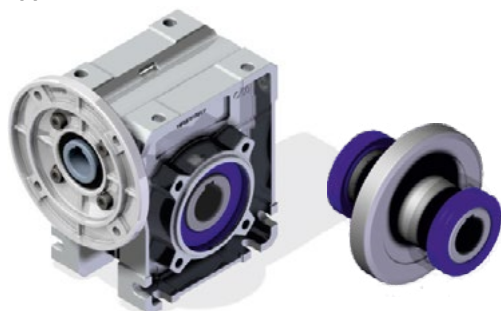
	Type (2pcs)
Q30	25x40x7(1pcs) 25x47x7(1pcs)
Q45	30x40x7
Q50	40x55x7
Q63	45x62x7
Q75	50x72x8
Q85	55x80x8
Q11	65x85x10
Q13 / Q15	Not available

Advised / Sugerito

For ambient temperature >40°C
Per temperatura ambiente >40°C



Double output shaft seals
Doppio anello di tenuta sul mozzo

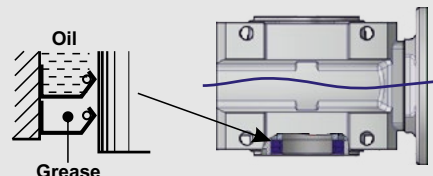


CODE **2ATUS**

	Type (2pcs)
Q30	
Q45	Not available
Q50	
Q63	45x62x7
Q75	Not available
Q85	55x80x8
Q11	65x85x10
Q13 / Q15	Not available

Advised / Sugerito

Stronger oil leaks protection.
Protezione con doppio anello di tenuta.





Twin Viton seal-shield for IP 69K
Doppio anello di tenuta Viton armatura AISI 316T



CODE **2ATUV**

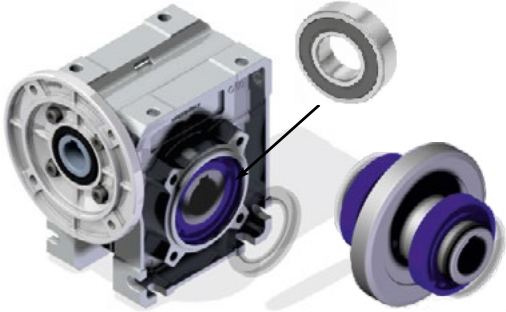
	Type (2pcs)
Q30	Not available
Q45	30x47x10
Q50	40x55x10
Q63	45x62x14.5
Q85	55x80x14.5

Advised / Sugerito

For ambient temperature >40°C
Per temperatura ambiente >40°C



Life lubricated bearings
Cuscinetti lubrificati a vita

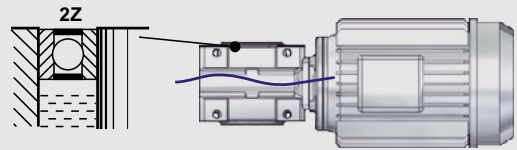


CODE **2CRSU**

	Type (2pcs)
Q30	Not available
Q45	6006
Q50	6008
Q63	6009
Q75	6010
Q85	6011
Q11	6013
Q13 / Q15	Not available

Advised / Sugerito

Ideal for B6 e B7 position.
Ideale per posizione B6 e B7.



Life lubricated bearings
Cuscinetti lubrificati a vita

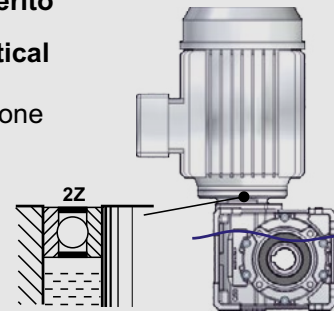


CODE **MONV5**

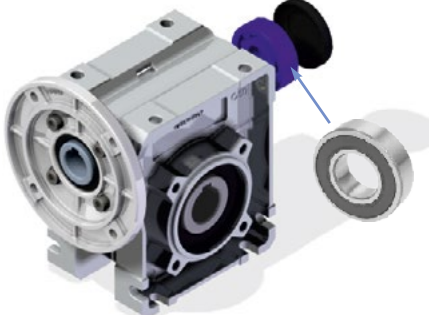
	Type (2pcs)
Q30	61904
Q45	6005
Q50	61906 (1/7+1/30) 6005 (1/36+1/100)
Q63	6007
Q75	6008
Q85	AV32009
Q11	AV32009
Q13	AV32010

Advised / Sugerito

Ideal for V5 vertical position.
Ideale per posizione verticale V5.



Life lubricated bearings
Cuscinetti lubrificati a vita

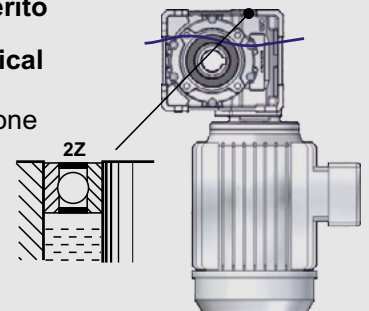


CODE **MONV6**

	Type (2pcs)
Q30	6201
Q45	6202
Q50	6204
Q63	6204
Q75	6205
Q85	AV30206
Q11	AV30206
Q13/Q15	AV32207

Advised / Sugerito

Ideal for V6 vertical position.
Ideale per posizione verticale V6.



Protection cup
Tappo di protezione

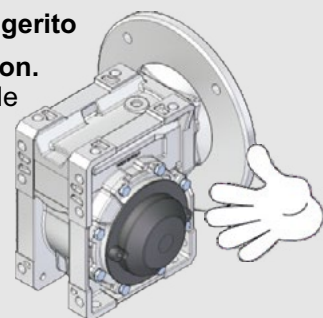


CODE

Q30	KQ300209
Q45	KQ450209
Q50	KQ500209
Q63	K0630209
Q75	KQ750209
Q85	K0850209
Q11	K1100209
Q13	KQ130209
Q15	KQ130209

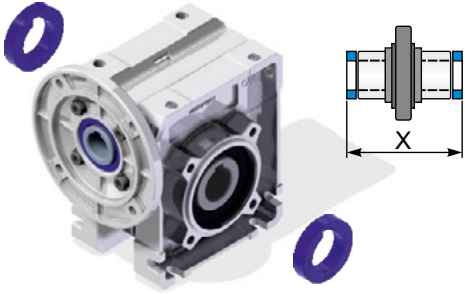
Advised / Sugerito

Hand protection.
Protezione delle mani.





Spacer for dimensions hub
Distanziale per pacco mozzo



	CODE	X
Q30	Q303014	63
Q45	Q453018	78
	Q453019	
	Q453020	
Q50	Q503024	92
	Q503025	

Advised / Sugerito

Anticorrosive paint
Vernice anticorrosiva



CODE **VEACB**

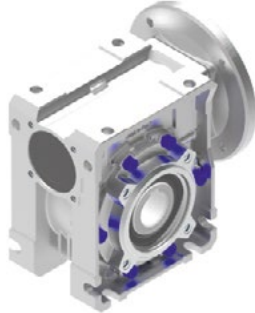
Color flat GREY RAL 7035
The coating is exceptionally hard, slippery, used where it's required protection against external aggressive and corrosive agents.

Colore flat GREY RAL 7035
il rivestimento risulta eccezionalmente duro, scivoloso, compatto e quindi presenta una fortissima resistenza ad abrasione. Trova il suo utilizzo la dove è necessaria una protezione da agenti esterni aggressivi e corrosivi.

Advised / Sugerito

Food industry.
Industria alimentare.

Stainless steel fastners on FB
Viti fissaggio FB in acciaio inox



CODE **VCAIX**

Q30	Not available
Q45	Available
Q50	Available
Q63	Available
Q75	Available
Q85	Available
Q11	Available

Advised / Sugerito

Food industry , marine, corrosive and highly hygienic environments.
Industria alimentare, marino, ambienti corrosivi ad elevata igienicità.

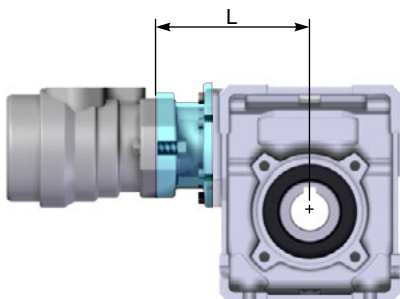
Input seal without motor flange
Anello di tenuta senza flangia motore



Q30	Not available
Q45	ATBA025x047x07C
Q50	ATBA030x047x07C (1/7+1/30)
	ATBA025x047x07C (1/36+1/100)
Q63	ATBA035x062x07C

Advised / Sugerito

Hydraulic motor flanges
Flange motore idraulico



CODE **MY016**

OML8	L
Q50	81.5
Q63	90.5
Q85	110
Q11	129.5

Q75/Q13/Q15 Not available

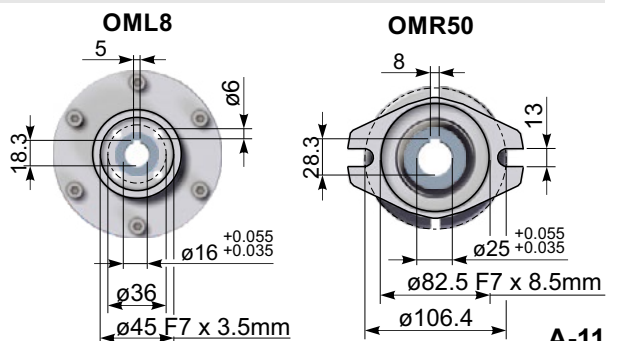
CODE **MY025**

OMR50	L
Q63	129
Q85	148
Q11	167.5

Q75/Q13/Q15 Not available

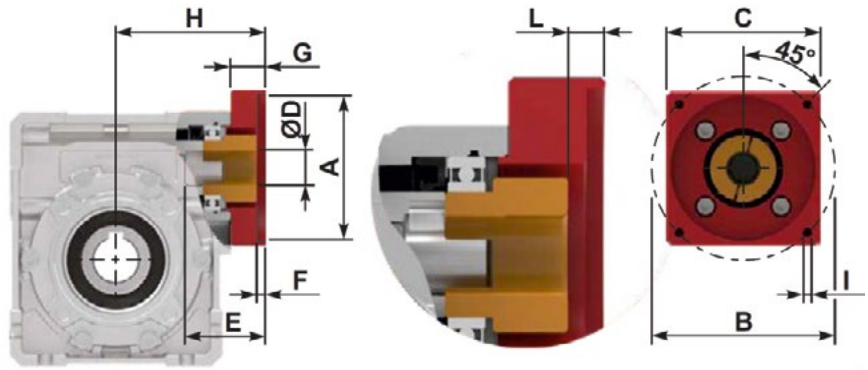
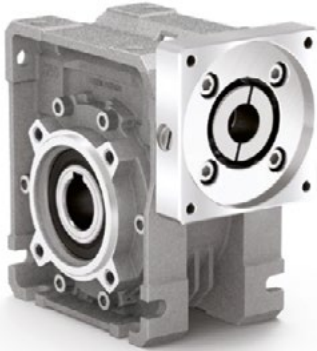
Advised / Sugerito

Agriculture, mobile, marine.
Agricoltura, macchine operatrici, marino.

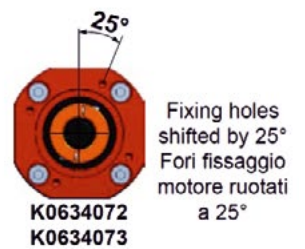
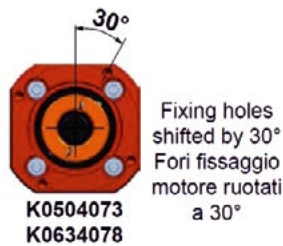
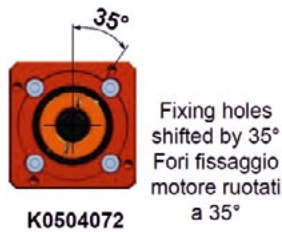




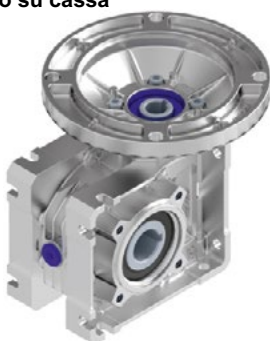
Flanges for servomotors
Flange per servomotori



Input flanges Kit Code	Bushing Kit Code	Coupling Kit Code	Motor shaft Ø	Type														
				A	B	C	ØD	E	F	G	L	I	H					
K0304071	KBR0914G	K0305190L	Ø9	40	63	58	Ø14	30	4	20	4.7	M5x12	68					
K0304072	KBR1114G	K0305190L	Ø11	60	75	70	Ø14	30	4.5	20	4.7	M5x12	68					
K0304073	-	K0305190L	Ø14	50	70	60	Ø14	32	4.5	28.5	13.2	M5x12	76.5					
K0504072	KBR1114G	KC355190L	Ø11	60	75	70	Ø14	44	4.5	23	9	M5x12		85				
K0504073	-	KC355190L	Ø14	50	70	70	Ø14	44	4.5	23	9	M5x12		85				
K0504074	-	KC355190L	Ø14	80	100	85	Ø14	44	4.5	23	9	M6x12		85				
K0504072	KBR1119G	K0505190L	Ø11	60	75	70	Ø19	48	4.5	23	9	M5x12			88.5			
K0504072	KBR1419G	K0505190L	Ø14	60	75	70	Ø19	48	4.5	23	9	M5x12			88.5			
K0504073	KBR1419G	K0505190L	Ø14	50	70	70	Ø19	48	4.5	23	9	M5x12			88.5			
K0504074	KBR1419G	K0505190L	Ø14	80	100	85	Ø19	48	4.5	23	9	M6x12			88.5			
K0504075	-	K0505190L	Ø19	95	115	100	Ø19	48	4.5	23	9	M8x12			88.5			
K0504078	-	K0505190L	Ø19	70	90	80	Ø19	48	4.5	23	9	M6x12			88.5			
K0634072	KBR1422G	KC405190L	Ø14	60	75	90	Ø22	58	4.5	25	9	M5x12				104.5		
K0634073	KBR1422G	KC405190L	Ø14	50	70	80	Ø22	58	4.5	25	9	M5x12				104.5		
K0634074	KBR1422G	KC405190L	Ø14	80	100	85	Ø22	58	4.5	25	9	M6x12				104.5		
K0634075	KBR1922G	KC405190L	Ø19	95	115	100	Ø22	58	4.5	25	9	M8x12				104.5		
K0634076	-	KC405190L	Ø22	110	145	130	Ø22	63	4.5	30	14	M8x14				109.5		
K0634078	KBR1922G	KC405190L	Ø19	70	90	90	Ø22	58	4.5	25	9	M6x12				104.5		
K0854075	KBR1924G	KC505190L	Ø19	95	115	100	Ø24	60	4.5	26	9.5	M8x14					124.5	124.5
K0854076	KBR2224G	KC505190L	Ø22	110	145	130	Ø24	64	5	30	13.5	M8x14					128.5	128.5
K0854077	-	KC505190L	Ø24	130	165	140	Ø24	60	5	26	9.5	M8x14					124.5	124.5
K0854077	-	KC505190L	Ø24	130	165	140	Ø24	60	5	26	9.5	M8x14					124.5	124.5



Housing with oil plug
Tappo olio su cassa



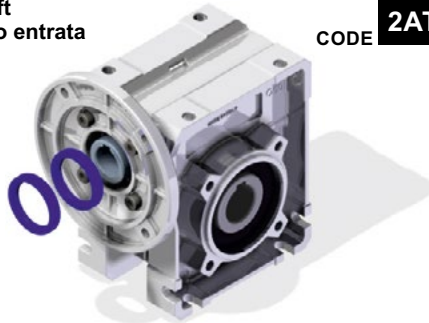
CODE **TOSCA**

Advised / Sugerito

Q30	Not available
Q45	Available
Q50	Available
Q63	Available
Q75	Available
Q85	Available



Double oil seals on input shaft
Doppio anello di tenuta albero entrata

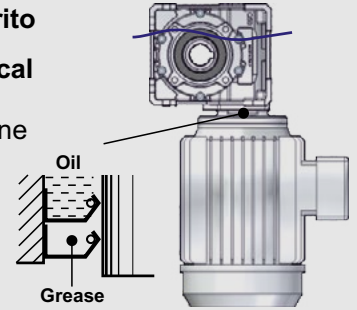


CODE **2ATEN**

Advised / Sugerito

Ideal for V6 vertical position.

Ideale per posizione verticale V6.



	Q30	Q45	Q50	Q63	Q75	Q85	Q11	Q13	Q15
IEC	56 B5	Not available	—	—	—	—	—	—	—
	63 B5	Not available	25x40x7	30x40x7 (1/7+1/30) 25x40x7 (1/36+1/100)	35x47x7	—	—	—	—
	71 B5	—	Not available	Not available	35x47x7	45x62x7	45x62x7	45x62x7	Not available
	80+90 B5	—	—	Not available	35x47x7	45x62x7	45x62x7	45x62x7	Not available
	100+112 B5	—	—	—	—	45x62x7	45x62x7	45x62x7	Not available
	132 B5	—	—	—	—	—	—	Not available	Not available
	160 B5	—	—	—	—	—	—	—	Not available
	56 B14	Not available	25x40x7	25x40x7 (1/36+1/100)	—	—	—	—	—
	63 B14	Not available	Not available	Not available	—	—	—	—	—
	71 B14	—	25x40x7	30x40x7 (1/7+1/30) 25x40x7 (1/36+1/100)	35x47x7	—	—	—	—
80 B14	—	—	30x40x7 (1/7+1/30)	35x47x7	45x62x7	45x62x7	45x62x7	—	
90 B14	—	—	—	35x47x7	45x62x7	45x62x7	45x62x7	—	
100+112 B14	—	—	—	—	45x62x7	45x62x7	45x62x7	—	
132 B14	—	—	—	—	—	—	Not available	—	
NEMA	56C	—	25x40x7	25x40x7	35x47x7	—	45x62x7	—	—
	143/5TC	—	—	—	35x47x7	—	45x62x7	—	—
	182/4TC	—	—	—	—	—	45x62x7	—	—

Extended worm shaft kit
Kit vite bisporgente

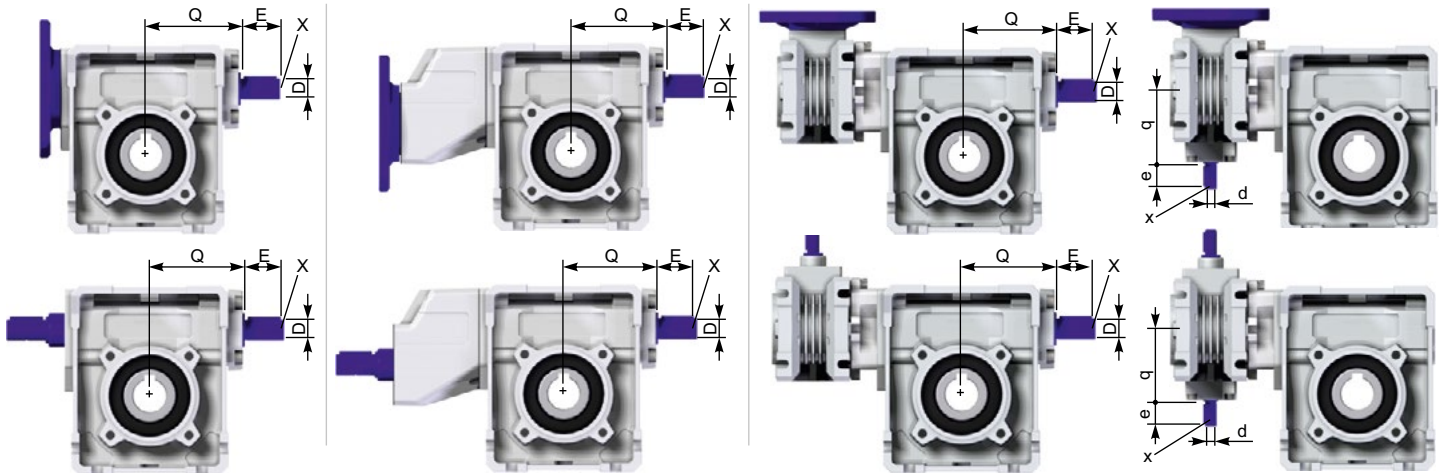
CODE **2VBS_**

Q30 and Q45 not available for R version.
Q30 e Q45 non disponibili per la versione R.

Solid extended worm shaft
Vite bisporgente integrale

CODE **2VBSI**

Solid extended worm shaft is not available for type Q11.
Vite bisporgente integrale non è disponibile per il Q11.



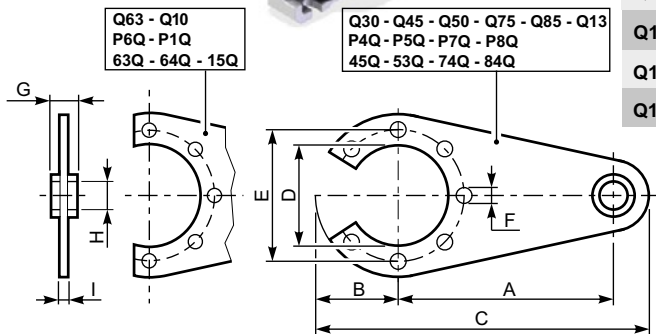
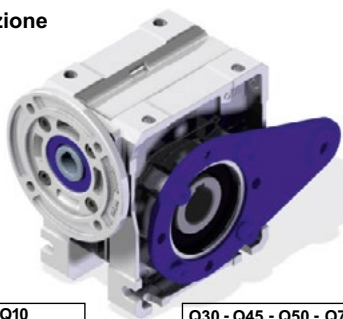
	Q30	Q45	Q50	Q75	Q85	Q11
	—	P4Q	P5Q	P7Q	P8Q	P1Q
	—	43Q (Q45+030)	53Q (Q50+030)	74Q (Q75+045)	84Q (Q85+045)	15Q (Q11+050)
D	9	11	16	19	25	25
E	20	30	30	40	50	60
Q	56	69	72.5	110	121	143
X	—	M5	M6	M6	M8	M8
d	—	9	9	11	11	16
e	—	20	20	30	30	30
q	—	56	56	74	74	77.5
x	—	—	—	M5	M5	M6

⚠ The units Q63, Q13 and Q15 are not available with extended worm.
I riduttori Q63, Q13 e Q15 non sono disponibili con la vite sporgente.

Extended worm is produced only on request. Please contact us for minimum quantity.
La vite con sporgenza è fornita solo su richiesta. Contattarci per quantità minima.

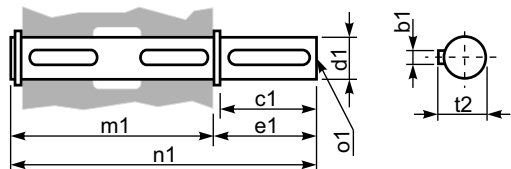


Reaction arm
Braccio di reazione



			A	B	C	D	E	F	G	H	I
Q30	—	—	85	38	138	55	65	7	14	8	4
Q45	P4Q	43Q	100	44	162	60	75	7	14	10	4
Q50	P5Q	53Q	100	55	173	70	85	9	14	10	4
Q63	P6Q	63Q/64Q	150	55	235	76	90	9	20	11	6
Q75	P7Q	74Q	200	63	300	90	110	9	25	21	6
Q85	P8Q	84Q	200	80	320	111	130	11	25	21	6
Q11	P1Q	15Q	250	100	391	130.5	165	13	25	21	6
Q13	—	—	250	125	410	180	215	13	30	25	6
Q15	—	—	250	125	410	180	215	13	30	25	6

Single output shaft
Albero lento a una sporgenza

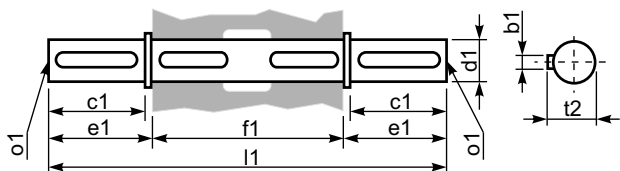


			b1	c1	d1 ^{-0.005} _{-0.020}	e1	m1	n1	o1	t2
Q30	—	—	5	25	14	35.5	59	94.5	M5x14	16
Q45	P4Q	43Q	6	32	18	43	70	113	M6x18	20.5
			6	40	19	58.5	70	128.5	M8x20	21.5
Q50	P5Q	53Q	8	52	25	59.5	86.5	146	M8x20	28
			8	50	24	68.8	86.5	155	M8x20	27
Q63	P6Q	63Q/64Q	8	60	25	63.2	126.8	190	M8x20	28
Q75	P7Q	74Q	8	60	30	65	134	199	M8x20	33
			8	60	28*	65	134	199	M8x20	31
Q85	P8Q	84Q	10	60	35	73.5	141	214.5	M10x23	38
Q11	P1Q	15Q	12	75	42	96.5	163.5	260	M12x32	45
Q13	—	—	14	80	45	85	180	265	M16	48.5
Q15	—	—	14	82	50	87	210	297	M16	53.5

(*) On request / A richiesta

● Type S / Tipo S

Double output shaft
Albero lento a doppia sporgenza



			b1	c1	d1 ^{-0.005} _{-0.020}	e1	f1	l1	o1	t2
Q30	—	—	5	25	14	35.5	55	126	M5x14	16
Q45	P4Q	43Q	6	32	18	43	65	151	M6x18	20.5
			6	40	19	58.5	65	182	M8x20	21.5
Q50	P5Q	53Q	8	52	25	59.5	81	200	M8x20	28
			8	50	24	68.8	81	218	M8x20	27
Q63	P6Q	63Q/64Q	8	60	25	63.2	120	246.4	M8x20	28
Q75	P7Q	74Q	8	60	30	65	127	255	M8x20	33
			8	60	28*	65	127	255	M8x20	31
Q85	P8Q	84Q	10	60	35	73.5	135	282	M10x23	38
Q11	P1Q	15Q	12	75	42	96.5	155	348	M12x32	45
Q13	—	—	14	80	45	85	170	340	M16	48.5
Q15	—	—	14	82	50	87	200	374	M16	53.5

(*) On request / A richiesta

● Type S / Tipo S