



QUICK SELECTION / Selezione veloce

input speed (n_1) = 1400 min⁻¹

| Output Speed n_2 [min ⁻¹] | Ratio i | Motor power P_{1M} [kW] | Output torque M_{2M} [Nm] | Service factor $f.s.$ | Nominal power P_{1R} [kW] | Nominal torque M_{2R} [Nm] | Available B5 motor flanges | | | | | Available B14 motor flanges | | | | Output Shaft | Ratios code | |
|---|--------------|---------------------------------|-----------------------------------|--------------------------|-----------------------------------|------------------------------------|----------------------------|----|----|------------|-----|-----------------------------|----|------------|-----|------------------|-----------------|----|
| | | | | | | | -C | -D | -E | -F | -G | -R | -T | -U | -V | | | |
| | | | | | | | 71 | 80 | 90 | 100 112 | 132 | 80 | 90 | 100 112 | 132 | | | |
| 213 | 6.57 | 7.5 | 312 | 1.2 | 8.8 | 380 | B | | | | | | | | | | 3018 | 01 |
| 185 | 7.56 | 7.5 | 358 | 1.1 | 7.9 | 390 | B | | | | | | | | | | 3016 | 02 |
| 159 | 8.82 | 7.5 | 419 | 1.0 | 7.1 | 410 | B | | | | | | | | | | 3014 | 03 |
| 113 | 12.39 | 7.5 | 588 | 1.0 | 7.2 | 580 | B | | | | | | | | | | 2018 | 04 |
| 98 | 14.24 | 5.5 | 499 | 1.2 | 6.4 | 600 | B | | | | | | | | | | 2016 | 05 |
| 84 | 16.75 | 5.5 | 587 | 1.1 | 6.1 | 665 | B | | | | | | | | | | 1618 | 06 |
| 73 | 19.25 | 5.5 | 675 | 1.0 | 5.4 | 675 | B | | | | | | | | | | 1616 | 07 |
| 64 | 21.78 | 4 | 558 | 1.2 | 4.7 | 675 | B | | | | | | | | | | 1318 | 08 |
| 56 | 25.04 | 4 | 642 | 1.1 | 4.1 | 675 | B | | | | | | | | | | 1316 | 09 |
| 47.9 | 29.23 | 4 | 750 | 0.9 | 3.5 | 675 | B | | | | | | | | | | 1314 | 10 |
| 45.7 | 30.65 | 3 | 592 | 1.1 | 3.4 | 675 | B | | | | | | | | | | 1116 | 11 |
| 39.1 | 35.78 | 3 | 691 | 1.0 | 2.9 | 675 | B | | | | | | | | | | 1114 | 12 |
| 36.3 | 38.55 | 2.2 | 548 | 1.1 | 2.3 | 580 | B | | | | | | | | | | 818 | 13 |
| 31.6 | 44.32 | 2.2 | 630 | 1.1 | 2.3 | 665 | B | | | | | | | | | | 816 | 14 |
| 27.1 | 51.74 | 2.2 | 735 | 0.9 | 2.0 | 675 | B | | | | | | | | | | 814 | 15 |
| 22.9 | 61.03 | 1.1 | 437 | 1.1 | 1.2 | 480 | B | | | | | | | | | | 616 | 16 |
| 19.6 | 71.25 | 1.1 | 510 | 1.1 | 1.2 | 560 | B | | | | | | | | | | 614 | 17 |

The dynamic efficiency is **0.96** for all ratios

Motor Flanges Available
Flange Motore Disponibili

B) Supplied with Reduction Bushing
Fornito con Bussola di Riduzione

B) Available on Request without reduction bushing
Disponibile a Richiesta senza Bussola di Riduzione

C) Motor Flange Holes Position
Posizione Fori Flangia Motore

EN Unit **FC62** is supplied with synthetic oil for lifetime lubrication, no maintenance is necessary. See table 1 for lubrication and recommended quantity. In table 2 please see possible radial loads and axial loads on the gearbox.

I Il riduttore **FC62** viene fornito completo di olio sintetico per la lubrificazione permanente e non necessita di alcuna manutenzione. Vedi tab.1 per oli e quantità consigliati. In tab.2 sono presenti i carichi radiali e assiali applicabili al riduttore.

D Das Getriebe **FC62** ist mit synthetischem Öl gefüllt und ist lebensdauergeschmiert. In Tabelle 1 ist die Schmiermenge und das empfohlene Schmiermittel angegeben. In Tabelle 2 sind die zulässigen Radial - und Axialbelastungen des Getriebes aufgeführt.

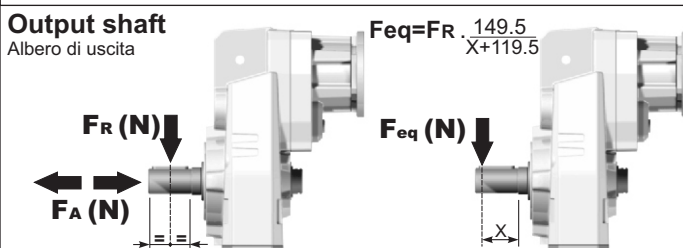
F Le réducteur **FC62** est fourni complet avec de l'huile synthétique pour la lubrification permanente et ne nécessite aucun entretien. Voir tableau 1 concernant les huiles et les quantités conseillées. Les charges radiales et axiales applicables au réducteur sont précisées dans le tableau 2.

E El reductor tamaño **FC62** se suministra, lubricado de por vida con aceite sintético y no requieren mantenimiento alguna. Ver tabla 1, para cantidades y aceites recomendados. En la tabla 2, se encuentran las cargas radiales y axiales admitidas por el reductor.

| Standard supplied | For these mounting position specify in the order or add oil Per queste posizioni specificare in fase d'ordine o aggiungere olio | | | | |
|-----------------------|--|---------|--------------------|---------|---------|
| | | | | | |
| 2.05 LT | 1.25 LT | 1.25 LT | 1.40 LT | 2.20 LT | 1.40 LT |
| SHELL Omala S4 WE 320 | | | ENI Telium VSF 320 | | |

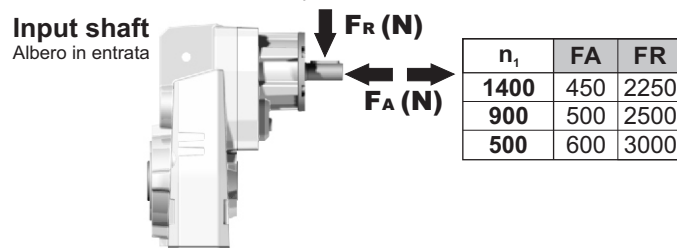
For all details on lubrication and plugs check our website **tab. 1**
Per maggiori dettagli su lubrificazione e tappi olio vedi il nostro sito web

RADIAL AND AXIAL LOADS



| n_2 | FA | FR | n_2 | FA | FR | n_2 | FA | FR |
|-------|-----|------|-------|-----|------|-------|------|------|
| 300 | 600 | 3000 | 140 | 720 | 3600 | 70 | 940 | 4700 |
| 250 | 640 | 3200 | 120 | 740 | 3700 | 40 | 1220 | 6100 |
| 200 | 690 | 3460 | 85 | 860 | 4300 | 15 | 1300 | 6500 |

On request reinforced bearings to increase loads.
A richiesta cuscinetti rinforzati per aumentare i carichi.



| n_1 | FA | FR |
|-------|-----|------|
| 1400 | 450 | 2250 |
| 900 | 500 | 2500 |
| 500 | 600 | 3000 |

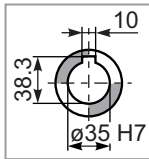
tab. 2

PFC62C... Basic gearbox
Riduttore base

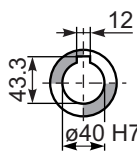
Gearbox weight
peso riduttore **20.8 kg**

| M. flanges | Kit code | øF | A |
|------------|------------|-----|-----|
| 71B5 | K023.4.041 | 160 | 227 |
| 80/90B5 | K023.4.042 | 200 | 229 |
| 100/112B5 | K023.4.043 | 250 | 238 |
| 132B5 | KC50.4.043 | 300 | 256 |
| 80B14 | K085.4.046 | 120 | 229 |
| 90B14 | K085.4.045 | 140 | 229 |
| 100/112B14 | K085.4.047 | 160 | 238 |
| 132B14 | KC50.4.041 | 200 | 256 |

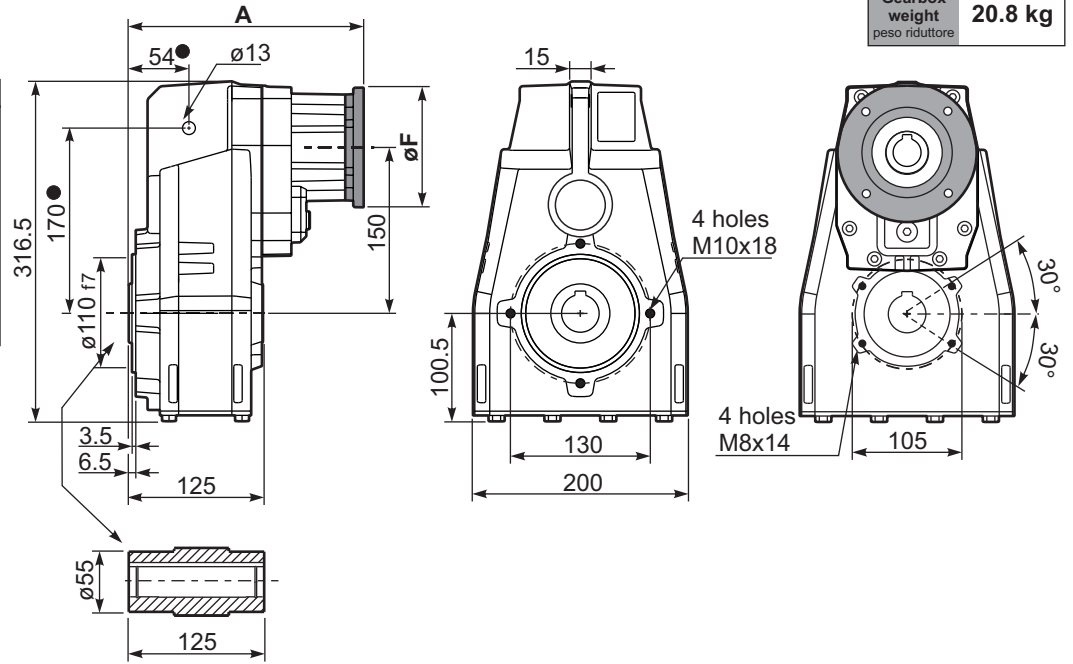
● Available torque arms,
see our web site
Bracci di reazione disponibili,
consulta il nostro sito web



Standard
Hollow shaft



On request
A richiesta

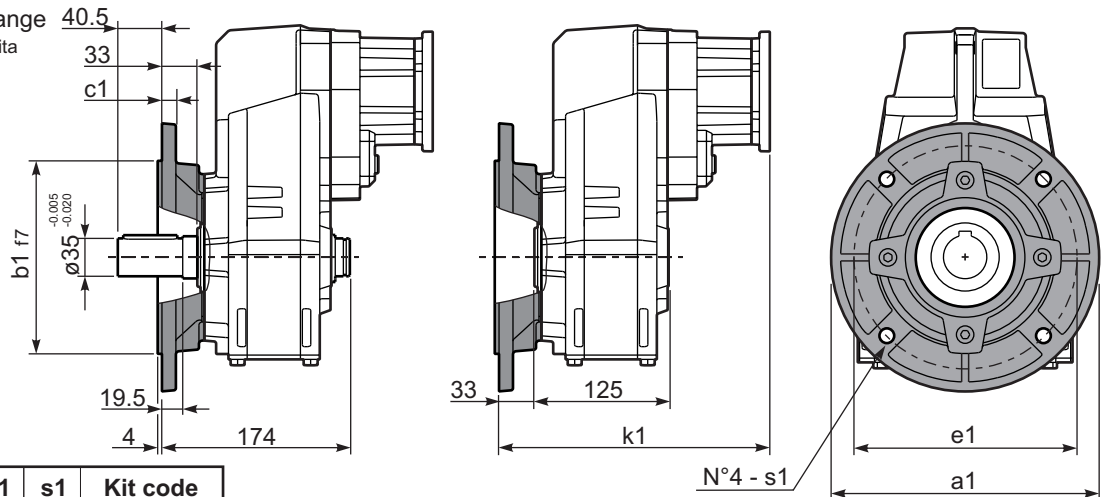


PFC62...-F... Output flange
Flangia uscita

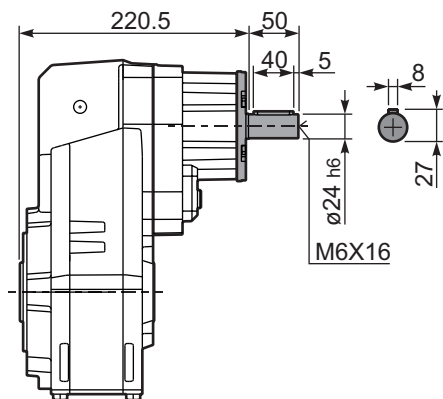
| M. flanges | k1 |
|------------|-----|
| 71B5 | 260 |
| 80/90B5 | 262 |
| 100/112B5 | 271 |
| 132B5 | 289 |
| 80B14 | 262 |
| 90B14 | 262 |
| 100/112B14 | 271 |
| 132B14 | 289 |

Available output flanges
Flange di uscita

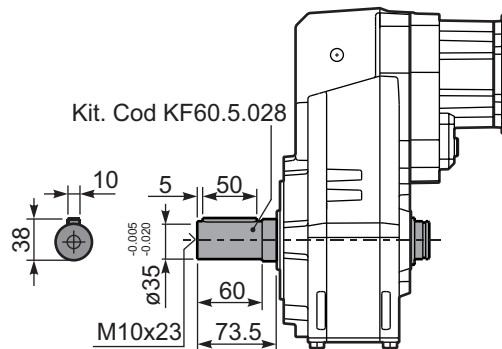
| a1 ø | b1 | c1 | e1 | s1 | Kit code |
|------|-----|----|-----|----|------------|
| 250 | 180 | 13 | 215 | 14 | KF60.9.011 |
| - | - | - | - | - | - |



RFC62C... Input Shaft
Albero in entrata



PFC62 A... Single output shaft
Albero uscita semplice



PFC62D... Shrink disk
Calettatore

Kit. Cod KF60.0.210LM

