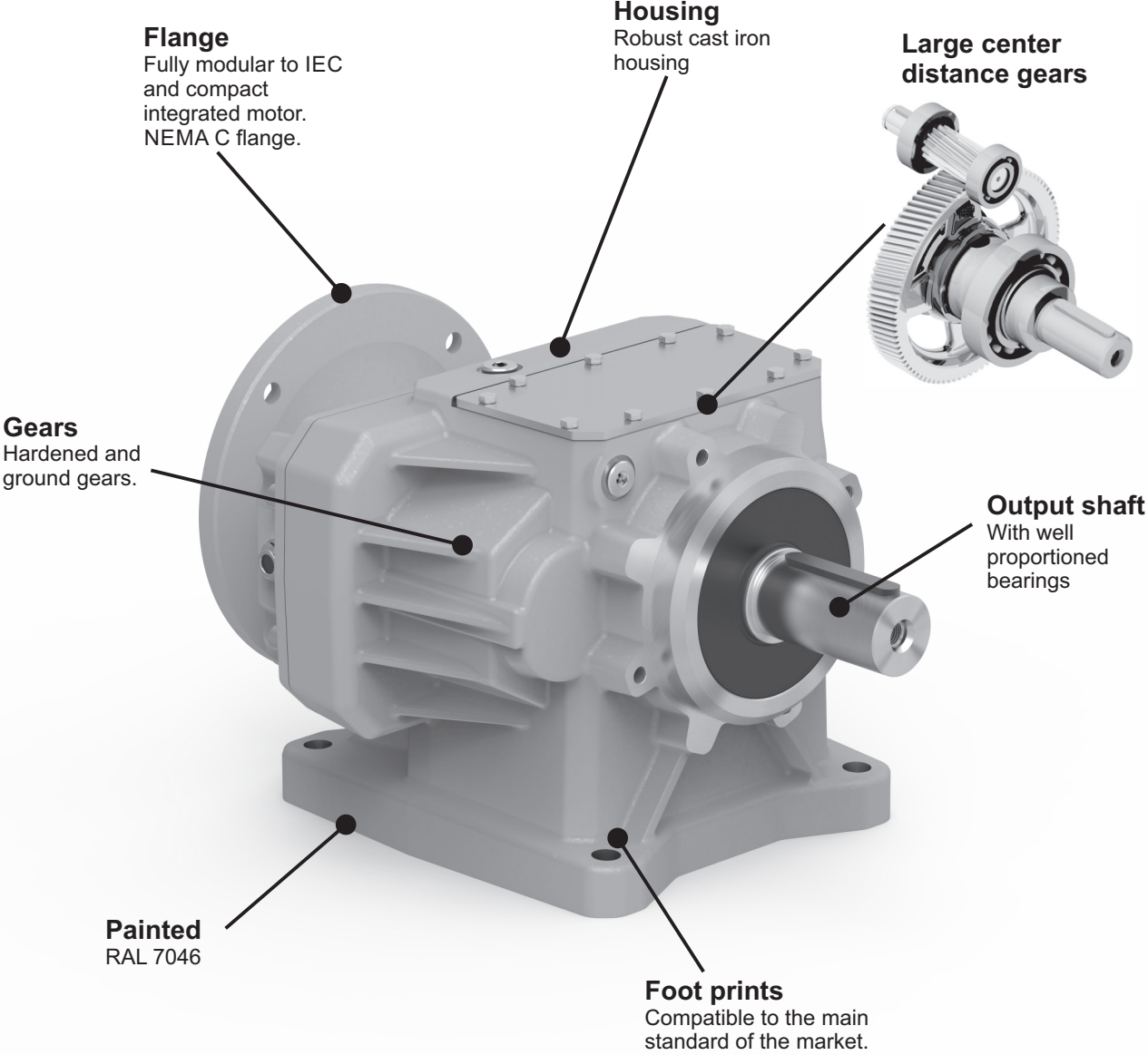


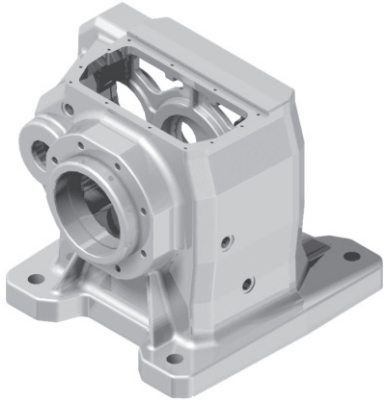
# Cast iron in line gearboxes

A modular and compact product



## Single-piece Cast Iron housing

with high tensile strength. Precision machined for alignment of bearings and gearing



World wide sales network.