

Coaxial - ACCESSORIES AND OPTIONS



ATEX Reducer category 2 Riduttore ATEX categoria 2

CODE **AX121**



- Use of synthetic oil and with oil plugs (oil plugs when possible).
- VITON oil seals.
- Loctite on all external screws.
- Double input seals, when possible.
- Additional output oil seals when possible.
- Indication of maximum temperature gauge.
- Utilizzo di olio sintetico e con tappi olio (tappi olio dove è possibile).
- Anelli di tenuta in VITON.
- Frena filetti su tutte le viti fissaggio esterne.
- Doppio anello di tenuta in entrata, dove è possibile.
- Anelli di tenuta supplementare in uscita dove è possibile.
- Indicatore visivo di temperatura di massima.

Advised / Sugerito



Atex Cat. 2

For more information see our guide «Atex installation and maintenance guide» on our website.

Per ulteriori informazioni, consultare la nostra guida «Atex guida alla manutenzione e installazione» sul nostro sito..

ATEX Reducer category 3 Riduttore ATEX categoria 3

CODE **AX222**

- Use of synthetic oil and with oil plugs (oil plugs when possible).
- Utilizzo di soli olio sintetico e con tappi olio (tappi olio dove è possibile).

Advised / Sugerito



Atex Cat. 3

For more information see our guide «Atex installation and maintenance guide» on our website.

Per ulteriori informazioni, consultare la nostra guida «Atex guida alla manutenzione e installazione» sul nostro sito..



Mounting with feet and output flange / Montaggio con piedini e flangia di uscita

	ø output Flange	B1	B2	B3	B4	S1	S2	S4	M1	M2	M3	H2	H3	H4
202A 302A	120	●				●								
	140	●												
	160													
412/3A	200													
	120	●	●			●	●		●			●		
	140	●	●			●	●		●			●		
	160	●	●				●		●			●		
	200						●					●		
452A 512/3A 612/3A	250													
	160			●	●			●		●	●		●	●
	200			●	●			●		●	●		●	●
	250			●							●		●	●

● Available / Disponibile

Oil for low temperature and food Olio per basse temperature e alimenti



CODE **OB150**

Agip Blasias 150
Shell Omala
Oil for low temperature
Olio per basse temperature

Advised / Sugerito

Low temperature.
Basse temperature.



CODE **OF320**

Mobil SHC Cibus 320
Oil for food
Olio per alimenti

Oil for food.

Olio per alimenti.

Output shaft Viton oil seals Anelli di tenuta uscita in Viton



CODE **ATVIU**

	Type
202A 302A	30x47x7
412/3A	30x52x7
452A	45x62x7
512/3A	35x72x7
612/3A	45x85x7

Advised / Sugerito

For ambient temperature >40°C
Per temperatura ambiente >40°C



Coaxial - ACCESSORIES AND OPTIONS



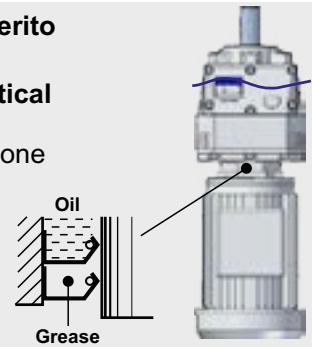
Double input oil seal
Doppio anello di tenuta in entrata

CODE **2ATEN**

Advised / Sugerito



Ideal for V6 vertical position.
Ideale per posizione verticale V6.



	202A	302A	412A	413A	452A	512A / 612A	513A / 613A	
IEC	56 B5	—	—	—	—	—	—	
	63 B5	20x40x7	35x47x7	35x47x7	25x40x7	—	35x47x7	
	71 B5	Not available	35x47x7	35x47x7	Not available	45x62x7	35x47x7	
	80÷90 B5	—	35x47x7	35x47x7	—	45x62x7	35x47x7	
	100÷112 B5	—	—	—	—	Not available	Not available	—
	132 B5	—	—	—	—	Not available	Not available	—
	56 B14	15x40x7	—	—	15x40x7	—	—	—
	63 B14	Not available	—	—	Not available	—	—	—
	71 B14	25x40x7	35x47x7	35x47x7	25x40x7	—	—	35x47x7
	80 B14	—	35x47x7	35x47x7	—	Not available	Not available	35x47x7
90 B14	—	35x47x7	35x47x7	—	Not available	Not available	35x47x7	
100÷112 B14	—	—	—	—	45x62x7	45x62x7	—	
132 B14	—	—	—	—	Not available	Not available	—	
NEMA	56C	25x40x7	35x40x7	35x40x7	25x40x7	45x62x7	35x47x7	
	143/5TC	—	35x40x7	35x40x7	—	45x62x7	35x47x7	
	182/4TC	—	—	—	—	45x62x7	—	

Life lubricated bearings
Cuscinetti lubrificati a vita

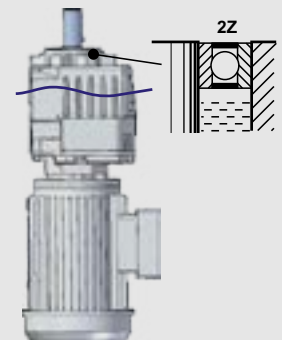
CODE **MONV6**

Advised / Sugerito



	Type
202A 302A	6204
412/3A	6205
452A	6206
512/3A	6207
612/3A	6209

Ideal for V6 vertical position.
Ideale per posizione verticale V6.



Life lubricated bearings
Cuscinetti lubrificati a vita

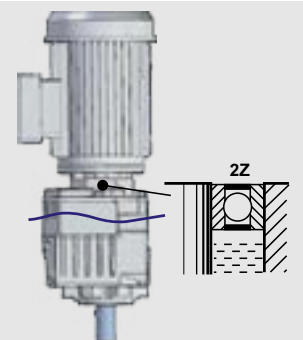
CODE **MONV5**

Advised / Sugerito



	Type
202A 413A	6005
302A 412A 513A 613A	6007
452A 512A 612A	6009

Ideal for V5 vertical position.
Ideale per posizione verticale V5.



Input with Viton oil seal
Anello di tenuta Viton in entrata

CODE **Input without coupling
Entrata senza giunto**

Advised / Sugerito



	Type
202A 413A	25x40x7
302A 412A 513A 613A	35x47x7
452A 512A 612A	45x62x8

For ambient temperature >40°C
Per temperatura ambiente >40°C



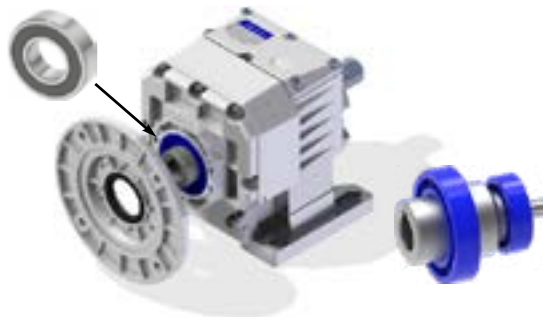
Coaxial - ACCESSORIES AND OPTIONS



Life lubricated two bearings
Due Cuscinetti lubrificati a vita

CODE **2CRS1**

Advised / Sugerito



	Type
202A	6202
403A	6005
302A	6004
402A	6007
503A	6007
603A	
452A	6205
502A	6009
602A	

Output shaft in inches
Albero uscita in pollici

CODE **AUSUS**

Advised / Sugerito



	Inch	mm
202A	0.625	15.875
	0.750	19.050
302A	0.750	19.050
412/3A	0.750	19.050
	1.000	25.400
452A	1.250	31.750
512/3A	1.250	31.750
612/3A	1.250	31.750
	1.375	34.925

USA , CANADA, MEXICO.

NEMA input flange
Flangia entrata Nema

CODE **FLENU**

Advised / Sugerito



	-W	-X	-Y
202A	56C-0.625	—	—
302A	56C-0.625	143/5TC-0.875	—
412A	56C-0.625	143/5TC-0.875	—
413A	56C-0.625	—	—
452A	56C-0.625	143/5TC-0.875	182/4TC-1.125
512A	56C-0.625	143/5TC-0.875	182/4TC-1.125
513A	56C-0.625	143/5TC-0.875	—
612A	56C-0.625	143/5TC-0.875	182/4TC-1.125
613A	56C-0.625	143/5TC-0.875	—

USA , CANADA, MEXICO.

Special output shaft for pumps driven
Albero uscita speciale per azionamento pompe

Advised / Sugerito



Special output shaft for pumps driven , for more information contact us.
Albero di uscita speciale azionamento pompe, per maggiori informazioni contattateci.



Coaxial - ACCESSORIES AND OPTIONS



ATEX Reducer category 2
Riduttore ATEX categoria 2

CODE **AX121**



- Use of synthetic oil and with oil plugs (oil plugs when possible).
- VITON oil seals.
- Loctite on all external screws.
- Double input seals, when possible.
- Additional output oil seals when possible.
- Indication of maximum temperature gauge.
- Utilizzo di olio sintetico e con tappi olio (tappi olio dove è possibile).
- Anelli di tenuta in VITON.
- Frena filetti su tutte le viti fissaggio esterne.
- Doppio anello di tenuta in entrata, dove è possibile.
- Anelli di tenuta supplementare in uscita dove è possibile.
- Indicatore visivo di temperatura di massima.

Advised / Sugerito



Atex Cat. 2

For more information see our guide «Atex installation and maintenance guide» on our website.

Per ulteriori informazioni, consultare la nostra guida «Atex guida alla manutenzione e installazione» sul nostro sito..

ATEX Reducer category 3
Riduttore ATEX categoria 3

CODE **AX222**

- Use of synthetic oil and with oil plugs (oil plugs when possible).
- Utilizzo di soli olio sintetico e con tappi olio (tappi olio dove è possibile).

Advised / Sugerito



Atex Cat. 3

For more information see our guide «Atex installation and maintenance guide» on our website.

Per ulteriori informazioni, consultare la nostra guida «Atex guida alla manutenzione e installazione» sul nostro sito..

∅ output Flange



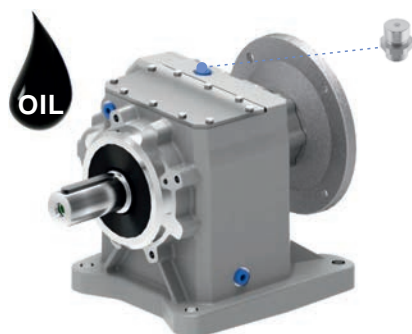
Mounting with feet and output flange
 Montaggio con piedini e flangia di uscita

	∅ output Flange	B4	B5	S6	S7	S8		∅ output Flange	S9	S0
712C	200	●		●			** 1002	300	●	
713C	250							1003	350	●
812C	250		●		●			450	●	
813C	300						** 1102	350		●
** 862C	300					●		1103	450	
863C	350					●				

● Available / Disponibile

** Housing with integral feet S8 / Cassa con piede integrale S8

Oil for low temperature and food
Olio per basse temperature e alimenti



CODE **OB150**

Agip Blasias 150
Shell Omala
 Oil for low temperature
 Olio per basse temperature

Advised / Sugerito

Low temperature.

* With pressure oil valve plug

Basse temperature.

* con tappo olio con valvola



CODE **OF320**

Mobil SHC Cibus 320
 Oil for food/Olio per alimenti

Oil for food.

Olio per alimenti.

CODE **OS320**

Shell Omala 320
 Synthetic oil only available for 712/3C, 812/3C and 862/3C.
 Olio sintetico disponibile solo per 712/3C, 812/3C e 862/3C.

All plugs closed, low internal pressure.

Tappi chiusi, bassa pressione interna.

Output shaft Viton oil seals
Anelli di tenuta uscita in Viton

CODE **ATVIU**



	Type
712C	45x85x10
713C	45x85x10
812C	45x85x10
813C	45x85x10
862C	60x85x8+ OR+spacer
863C	60x85x8+ OR+spacer
1002	85x130x12
1003	85x130x12
1102	90x140x13
1103	90x140x13

Advised / Sugerito

For ambient temperature >40°C

Per temperatura ambiente >40°C



Coaxial - ACCESSORIES AND OPTIONS



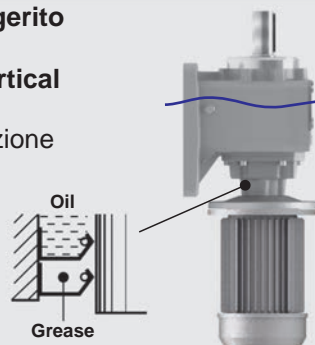
Double input oil seal
Doppio anello di tenuta in entrata

CODE **ZATEN**

Advised / Suggestito



Ideal for V6 vertical position.
Ideale per posizione verticale V6.



	712C 812C	713C 813C	862C	863C	1002	1003	1102	1103	
IEC	56 B5	—	—	—	—	—	—	—	
	63 B5	—	35x47x7	—	—	—	—	—	
	71 B5	—	35x47x7	—	45x62x7	—	—	—	
	80÷90 B5	45x62x7	35x47x7	—	45x62x7	—	—	—	
	100÷112 B5	Not available	Not available	—	Not available	—	—	—	
	132 B5	Not available	—	Not available	Not available	80x140x13	Not available	80x140x13	Not available
	160 B5	—	—	Not available	—	80x140x13	Not available	80x140x13	Not available
	180 B5	—	—	Not available	—	80x140x13	Not available	80x140x13	Not available
	200 B5	—	—	—	—	80x140x13	—	80x140x13	—
	225 B5	—	—	—	—	—	—	80x140x13	—
	56 B14	—	—	—	—	—	—	—	—
	63 B14	—	—	—	—	—	—	—	—
	71 B14	—	35x47x7	—	—	—	—	—	—
	80 B14	Not available	35x47x7	Not available	Not available	—	—	—	—
90 B14	Not available	35x47x7	Not available	Not available	—	—	—	—	
100÷112 B14	45x62x7	Not available	—	45x62x7	—	—	—	—	
132 B14	Not available	—	—	Not available	—	—	—	—	
NEMA	56C	45x62x7	35x47x7	—	45x62x7	—	—	—	
	143/5TC	45x62x7	35x47x7	—	45x62x7	—	Not available	—	Not available
	182/4TC	45x62x7	—	Not available	45x62x7	—	Not available	—	Not available
	213/5TC	Not available	—	Not available	Not available	—	Not available	—	Not available
	254/6TC	—	—	Not available	—	80x140x13	—	80x140x13	—
	213/5TC	—	—	—	—	80x140x13	—	80x140x13	—

Life lubricated bearings
Cuscinetti lubrificati a vita

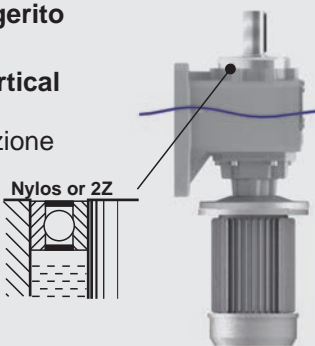
CODE **MONV6**

Advised / Suggestito



Code	Type
712C 713C	Av30209
812C 813C	Av30209
862C 863C	6312
1002 1003	AV32017 AV32307
1102 1103	AV32018 AV32308

Ideal for V6 vertical position.
Ideale per posizione verticale V6.



Life lubricated bearings
Cuscinetti lubrificati a vita

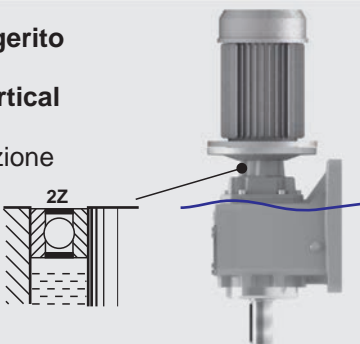
CODE **MONV5**

Advised / Suggestito



Code	Type
713C 813C	6007
712C 812C 862C 863C	6009
1003 1103	6013

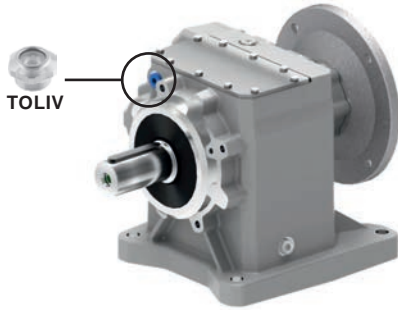
Ideal for V5 vertical position.
Ideale per posizione verticale V5.



Coaxial - ACCESSORIES AND OPTIONS



Housing with oil level plugs
Cassa con tappo livello olio



CODE **TOLIV**

Advised / Sugerito

With level oil plug.
Con tappo livello olio.

Type	
712C	1/4G
713C	

Input Viton oil seal
Anello di tenuta Viton in entrata



CODE **ATVIE**

Advised / Sugerito

For ambient temperature >40°C
Per temperatura ambiente >40°C



Type	
712C	45X62X8
712C	
813C	30x47x7
813C	35x47x7
863C	35x62x7
863C	40x62x7

Life lubricated two bearings
Due Cuscinetti lubrificati a vita



CODE **2CRS1**

Advised / Sugerito

Type	
713C	6004
813C	6007
712C	6207
812C	6009
863C	6205
863C	6009

NEMA input flange.
Flangia entrata NEMA.



CODE **FLENU**

Advised / Sugerito

USA , CANDA, MEXICO.

	-W	-X	-Y	AA	AB
713C	56C-0.625	143/5TC-0.875	—	—	—
813C					
862C	—	—	182/4TC-1.125	213/5TC-1.375	254/6TC-1.625
712C	—	143/5TC-0.875	182/4TC-1.125	213/5TC-1.375	—
812C					
863C					