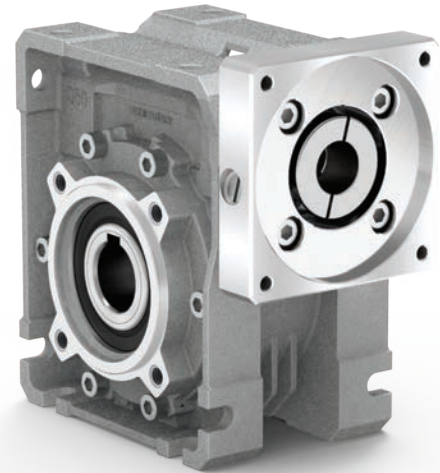
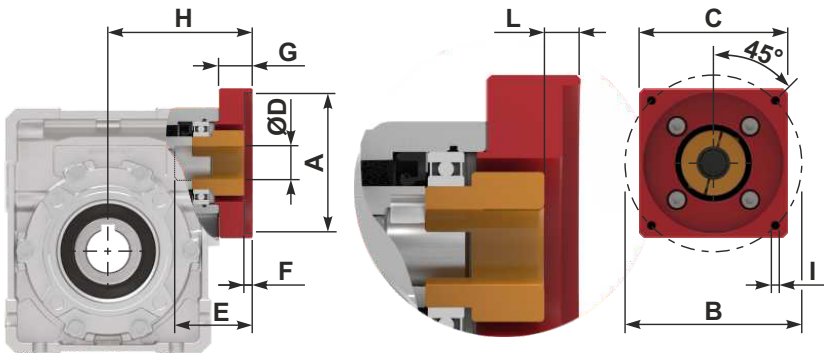


WORM GEARBOXES

Flanges for servomotors - Flange per servomotori

Q-Square-Gear



Type	Catalog Flange Code	Input Flanges Kit Code	Input Flanges Kit Code	Bushing Kit Code	Coupling Kit Code	Motor shaft Ø	A	B	C	ØD	E	F	G	L	I	H
Q63 147Nm	BC	K0634072	K0634072	KBR14/22G	KC405190L	Ø14	60	75	90	Ø22	58	4.5	25	9	M5x12	104.5
	BB	K0634073	K0634073	KBR14/22G	KC405190L	Ø14	50	70	80	Ø22	58	4.5	25	9	M5x12	104.5
	BE	K0634074	K0634074	KBR14/22G	KC405190L	Ø14	80	100	85	Ø22	58	4.5	25	9	M6x12	104.5
	BF	K0634075	K0634075	KBR19/22G	KC405190L	Ø19	95	115	100	Ø22	58	4.5	25	9	M8x12	104.5
	BG	K0634076	K0634076	-	KC405190L	Ø22	110	145	130	Ø22	63	8	30	14	M8x14	109.5
Q75 270Nm	BD	K0634078	K0634078	KBR19/22G	KC405190L	Ø19	70	90	90	Ø22	58	4.5	25	9	M6x12	104.5
	BF	K0854075	K0854075	KBR19/24G	KC505190L	Ø19	95	115	100	Ø24	60	4.5	26	9.5	M8x14	122
	BG	K0854076	K0854076	KBR22/24G	KC505190L	Ø22	110	145	130	Ø24	64	8	30	13.5	M8x14	126
	BH	K0854077	K0854077	-	KC505190L	Ø24	130	165	140	Ø24	60	5	26	9.5	M8x14	122
Q85 347Nm	BD	K0854078	K0854078	KBR19/24G	KC505190L	Ø19	70	90	95	Ø24	60	4.5	26	9.5	M6x14	122
	BF	K0854075	K0854075	KBR19/24G	KC505190L	Ø19	95	115	100	Ø24	60	4.5	26	9.5	M8x14	124.5
	BG	K0854076	K0854076	KBR22/24G	KC505190L	Ø22	110	145	130	Ø24	64	8	30	13.5	M8x14	128.5
	BH	K0854077	K0854077	-	KC505190L	Ø24	130	165	140	Ø24	60	5	26	9.5	M8x14	124.5

