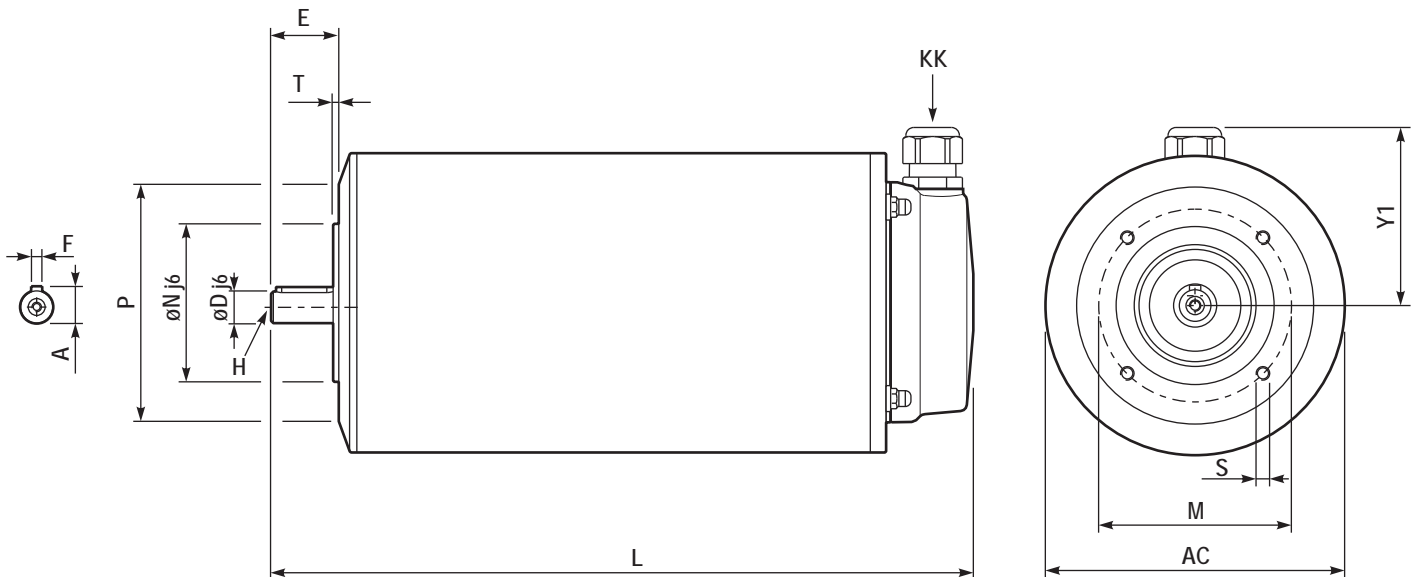


**TENV** Totally Enclosed non ventilated, with terminal box. **kW 0.12÷2.2**  
 Totalmente chiuso non ventilato, con morsettiera.

**Standard** terminal box with cable gland in radial position

Standard morsettiera con pressacavo in posizione radiale.



### Dimensions

Dimensioni

Motor	IE4			IE3		A	$\varnothing D j_6$ H	E	F	L	M	$\varnothing N j_6$	P	S	T	AC	KK	Y1
	2 poles kW	4 poles kW	6 poles kW	2 poles kW	4 poles kW													
63A	0.18	0.12	-	0.25	0.18	12.5	$\varnothing 11$ M4x11	23	4	264	75	60	90	M5x14	2.5	133	M20x1.5	78
63B	0.25	0.18	-	0.37	0.25													
71A	0.37	0.25	0.18	0.55	0.37	16	$\varnothing 14$ M5x12	30	5	311	85	70	105	M6x15	2.5	133	M20x1.5	78
71B	0.55	0.37	0.25	0.75	0.55													
80A	0.75	0.55	0.37	1.1	0.75	21.5	$\varnothing 19$ M6x16	40	6	350.5	100	80	120	M6x15	3	143	M20x1.5	78
80B	1.1	0.75	0.55	1.5	1.1													
90S	1.5	1.1	0.75	2.2	1.5	27	$\varnothing 24$ M8x20	50	8	386	115	95	140	M8x20	3	183	M20x1.5	97
90L	2.2	1.5	1.1	-	-													