

Compact - ACCESSORIES AND OPTIONS



ATEX Reducer category 2 Riduttore ATEX categoria 2



CODE **AX121**

- Use of synthetic oil and with oil plugs (oil plugs when possible).
- VITON oil seals.
- Loctite on all external screws.
- Double input seals, when possible.
- Additional output oil seals when possible.
- Indication of maximum temperature gauge.
- Utilizzo di olio sintetico e con tappi olio (tappi olio dove è possibile).
- Anelli di tenuta in VITON.
- Frena filetti su tutte le viti fissaggio esterne.
- Doppio anello di tenuta in entrata, dove è possibile.
- Anelli di tenuta supplementare in uscita dove è possibile.
- Indicatore visivo di temperatura di massima.

Advised / Sugerito



Atex Cat. 2

For more information see our guide «Atex installation and maintenance guide» on our website.

Per ulteriori informazioni, consultare la nostra guida «Atex guida alla manutenzione e installazione» sul nostro sito..

ATEX Reducer category 3 Riduttore ATEX categoria 3

CODE **AX222**

- Use of synthetic oil and with oil plugs (oil plugs when possible).
- Utilizzo di soli olio sintetico e con tappi olio (tappi olio dove è possibile).

Advised / Sugerito



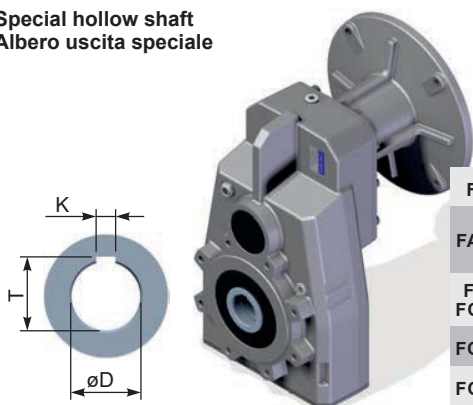
Atex Cat. 3

For more information see our guide «Atex installation and maintenance guide» on our website.

Per ulteriori informazioni, consultare la nostra guida «Atex guida alla manutenzione e installazione» sul nostro sito..

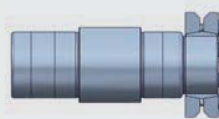
Special hollow shaft Albero uscita speciale

CODE **ACR...**

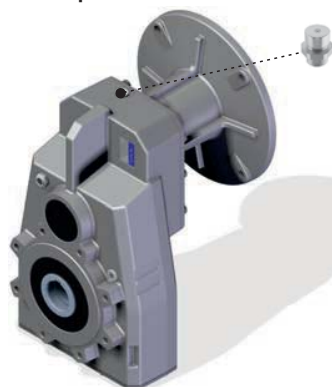


	øD	T	K	
FA32/3	-	-	-	NOT AVAILABLE
FA41/2/3	25	28.3	8	ACR25
FA52/3 FC61/2/3	35	38.3	10	ACR35
FA52/3 FC61/2/3	40	43.3	12	ACR40
FC71/2/3	45	48.8	14	ACR45
FC81/2/3	55	59.3	16	ACR55

Advised / Sugerito



Oil for low temperature and food Olio per basse temperature e alimenti



CODE **OB150**

Agip Blasias 150
Shell Omala
Oil for low temperature
Olio per basse temperature

Advised / Sugerito

Low temperature.
* With pressure oil valve plug
Basse temperature.
* con tappo olio con valvola



CODE **OF320**

Mobil SHC Cibus 320
Oil for food
Olio per alimenti

Oil for food.
Olio per alimenti.

CODE **OS320**

Shell Omala 320
Synthetic oil only available
for FC71/2/3C and FC81/2/3C.
Olio sintetico disponibile solo
per FC71/2/3C e FC81/2/3C.

All plugs closed, low internal pressure.
Tappi chiusi, bassa pressione interna.

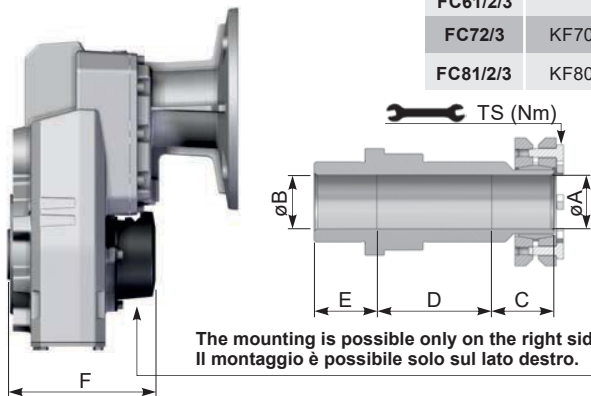
Compact - ACCESSORIES AND OPTIONS



Shrink disk and kit closing shrink disk cup
Calettatore e Kit protezione calettatore



CLOSING DISK CUP SHRINK DISK



The mounting is possible only on the right side.
Il montaggio è possibile solo sul lato destro.

	øA H7	øB H7	C	D	E	F	TS Nm
FA41/2/3	30	30	35	64.5	35	152.5	12
FA52/3	35	35	30	97.5	30	173	12
FC61/2/3	35	35	30	97.5	30	173	12
FC72/3	40	40	42	97	42	197	12
FC81/2/3	50	50	35	133	35	215	12

Dimensions and tightening torque (TS) for the shrink disc.
Dimensioni e coppia serraggio vite per calettatore.

CLOSING DISK CUP CODE

FA32/3	Not Available
FA41/2/3	KF400210LM
FA52/3 FC61/2/3	KF600210LM
FC72/3	KF700210LM
FC81/2/3	KF800210LM

SHRINK DISK CODE

FA32/3	Not Available
FA41/2/3	KX4A0165
FA52/3 FC61/2/3	KF600165
FC72/3	KF700165
FC81/2/3	KF800165

Advised / Sugerito

Frequent starts and stops.
Frequenti avvii e arresti.

Protective paint
Vernice protettiva



CODE **VEACB**

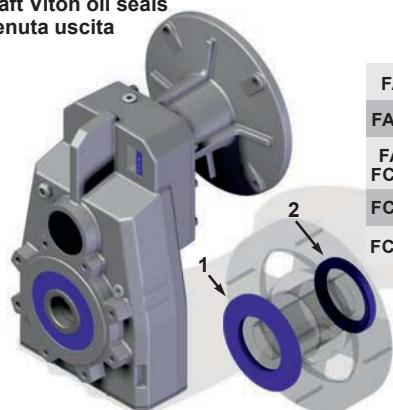
Color flat WHITE RAL 7035
The coating is exceptionally hard, slippery, used where it's required protection against external aggressive and corrosive agents.

Colore BIANCO opaco RAL 7035
il rivestimento risulta eccezionalmente duro, scivoloso, compatto e quindi presenta una fortissima resistenza ad abrasione. Trova il suo utilizzo la dove è necessaria una protezione da agenti esterni aggressivi e corrosivi.

Advised / Sugerito

Food industry.
Industria alimentare.

Output shaft Viton oil seals
Anelli di tenuta uscita Viton



CODE **ATVIU**

	1	2
FA32/3	40x68x8	35x45x7
FA41/2/3	45x75x8	45x75x8
FA52/3 FC61/2/3	55x100x10	55x80x8
FC71/2/3	65x120x12	65x85x10
FC81/2/3	75x130x10	75x100x10

Advised / Sugerito

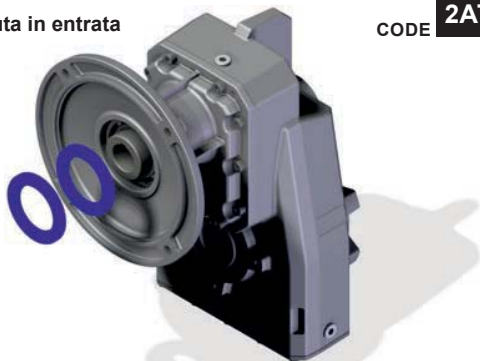
For ambient temperature >40°C
Per temperatura ambiente >40°C



Compact - ACCESSORIES AND OPTIONS



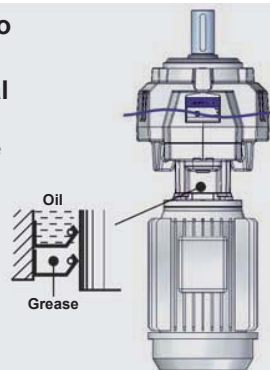
Double input oil seal
Doppio anello di tenuta in entrata



CODE **2ATEN**

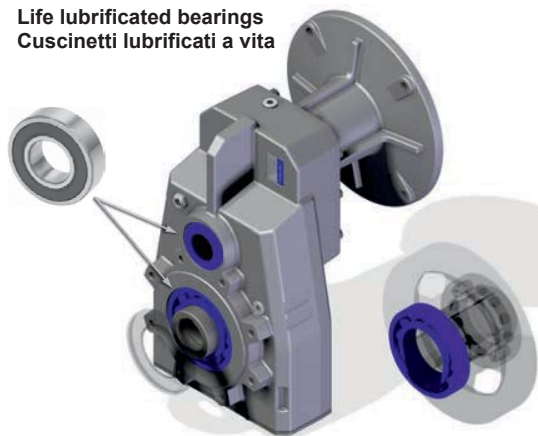
Advised / Suggestito

Ideal for H6 vertical position.
Ideale per posizione verticale H6.



	FA41	FA32/FA42	FA32/FA43	FA52/FC62/FC72	FA53/FC63/FC73	FC82	FC83
IEC	56 B5	—	—	—	—	—	—
	63 B5	—	35x47x7	20x40x7	—	35x47x7	—
	71 B5	—	35x47x7	Not available	45x62x7	35x47x7	—
	80÷90 B5	45x62x7	35x47x7	—	45x62x7	35x47x7	45x62x7
	100÷112 B5	Not available	Not available	—	Not available	Not available	Not available
	132 B5	—	—	—	Not available	—	Not available
	160 B5	—	—	—	—	—	Not available
	180 B5	—	—	—	—	—	Not available
	56 B14	—	—	15x40x7	—	—	—
	63 B14	—	—	Not available	—	—	—
71 B14	—	35x47x7	25x40x7	—	35x47x7	—	
80 B14	Not available	35x47x7	—	Not available	35x47x7	—	
90 B14	Not available	35x47x7	—	Not available	35x47x7	—	
100÷112 B14	45x62x7	Not available	—	45x62x7	Not available	—	
132 B14	—	—	—	Not available	—	—	
NEMA	56C	—	35x47x7	25x40x7	45x62x7	35x47x7	45x62x7
	143/5TC	—	35x47x7	—	45x62x7	35x47x7	45x62x7
	182/4TC	—	—	—	45x62x7	—	Not available
	213/5TC	—	—	—	Not available	—	Not available
	254/6TC	—	—	—	—	—	Not available

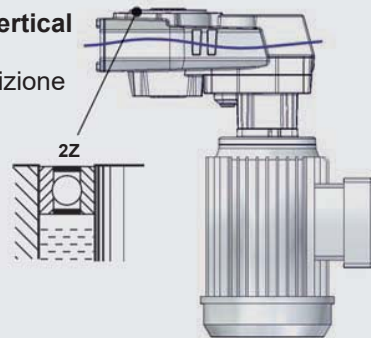
Life lubricated bearings
Cuscinetti lubrificati a vita



CODE **MONH6**

Advised / Suggestito

Ideal for H6 vertical position.
Ideale per posizione verticale H6.



	Type
FA32/3	6202 ^[6300] 6008
FA41/2/3	6202 ^[6300] 6009
FA52/3C FC61/2/3	6204 6211
FC71/2/3	6204 6013
FC81/2/3	6306 6215

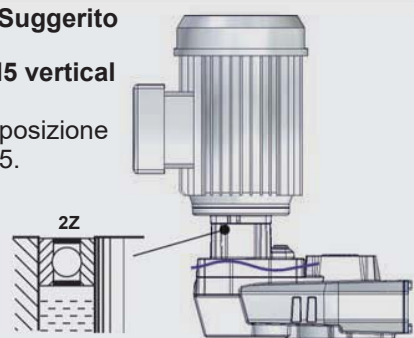
Life lubricated bearings
Cuscinetti lubrificati a vita



CODE **MONH5**

Advised / Suggestito

Ideal for H5 vertical position.
Ideale per posizione verticale H5.

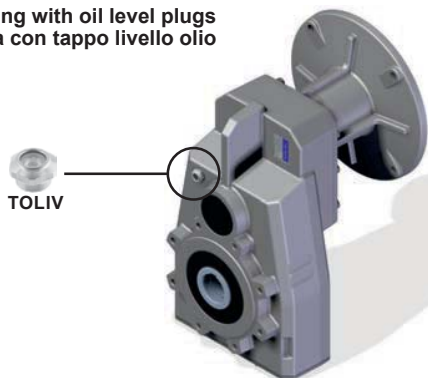


	Type
FA33 FA43	6005
FA32 FA42 FA53 FC63 FA73	6007
FA41 FA52 FC62 FC71 FC72 FC83	6009
FC61	6011
FA81 FA82	6014

Compact - ACCESSORIES AND OPTIONS



Housing with oil level plugs
Cassa con tappo livello olio



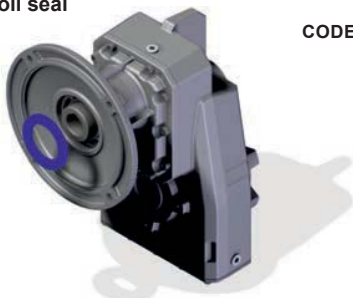
CODE **TOLIV**

	plugs
FA32/3 FA41/2/3	1/4G
FA52/3C FC61/2/3	3/8G

Advised / Suggestito

With level oil plug.
Con tappo livello.

Input with Viton oil seal
Anello di tenuta
Viton in entrata



CODE **Input without coupling
Entrata senza giunto**

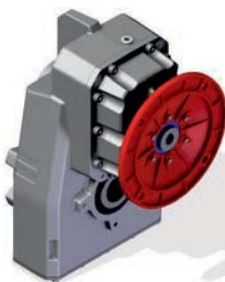
FA41 FA52 FC62 FC72 FC83	45x62x8
FA32 FA42 FA53 FC63 FC72	35x47x7
FA33 FA43	25x40x7

Advised / Suggestito

For ambient temperature >40°C
Per temperatura ambiente >40°C



NEMA input flange.
Flangia entrata NEMA.



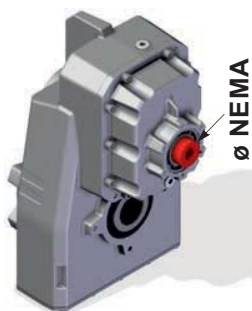
CODE **FLENU**

	-W	-X	-Y	AA	AB
FA32 FA42	56C-0.625	143/5TC-0.875	—	—	—
FA33 FA43	56C-0.625	—	—	—	—
FA52 FC62 FC72	56C-0.625	143/5TC-0.875	182/4TC-1.125	213/5TC-1.375	—
FA53 FC63 FC73	56C-0.625	143/5TC-0.875	—	—	—
FC82	—	—	182/4TC-1.125	213/5TC-1.375	254/6TC-1.625
FC83	56C-0.625	143/5TC-0.875	182/4TC-1.125	213/5TC-1.375	—

Advised / Suggestito

USA , CANADA, MEXICO.

Without NEMA flange
Senza flangia NEMA.

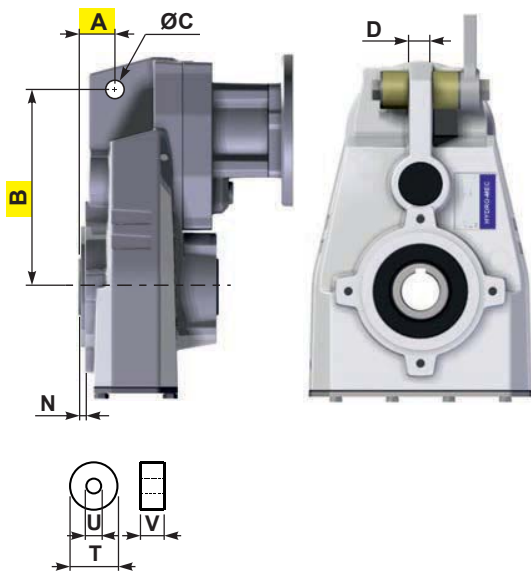


	-K	-N	-S	UA	UB
FA32 FA42	0.625	0.875	—	—	—
FA33 FA43	0.625	—	—	—	—
FA52 FC62 FC72	0.625	0.875	1.125	—	—
FA53 FC63 FC73	0.625	0.875	—	—	—
FC82	—	—	1.125	1.375	1.625
FC83	0.625	0.875	—	—	—

Compact - ACCESSORIES AND OPTIONS



Reaction arm dimensions
Dimensione braccio di reazione.



FA32/3		A	B	$\varnothing C$	D	N	T	U	V	Kit Code
ST	F10	35	140	11	14	4.5	30	11	20	Not available

FA41/2/3		A	B	$\varnothing C$	D	N	T	U	V	Kit Code
ST	F20	40	160	11	18	5	30	11	20	K0630265

FA52/3		A	B	$\varnothing C$	D	N	T	U	V	Kit Code
ST	F25	43.5	162	13	15	6.5	40	12.5	20	KF500265

FC61/2/3		A	B	$\varnothing C$	D	N	T	U	V	Kit Code
ST	F31	54	170	13	15	6.5	40	12.5	20	KF500265

FC71/2/3		A	B	$\varnothing C$	D	N	T	U	V	Kit Code
ST	F41	56.5	218	14	16	7.5	40	12.5	20	KF500265

FC81/2/3		A	B	$\varnothing C$	D	N	T	U	V	Kit Code
ST	F51	65	278	22	20	8	60	21	27	KF800265