

# Parallel shaft - ACCESSORIES AND OPTIONS



## ATEX Reducer category 2 Riduttore ATEX categoria 2



CODE **AX121**

- Use of synthetic oil and with oil plugs (oil plugs when possible).
- VITON oil seals.
- Loctite on all external screws.
- Double input seals, when possible.
- Additional output oil seals when possible.
- Indication of maximum temperature gauge.
- Utilizzo di olio sintetico e con tappi olio (tappi olio dove è possibile).
- Anelli di tenuta in VITON.
- Frena filetti su tutte le viti fissaggio esterne.
- Doppio anello di tenuta in entrata, dove è possibile
- Anelli di tenuta supplementare in uscita dove è possibile.
- Indicatore visivo di temperatura di massima.

### Advised / Suggestito



**Atex Cat. 2**

For more information see our guide «Atex installation and maintenance guide» on our website.

Per ulteriori informazioni, consultare la nostra guida «Atex guida alla manutenzione e installazione» sul nostro sito..

## ATEX Reducer category 3 Riduttore ATEX categoria 3

CODE **AX222**

- Use of synthetic oil and with oil plugs (oil plugs when possible).
- Utilizzo di soli olio sintetico e con tappi olio (tappi olio dove è possibile).

### Advised / Suggestito

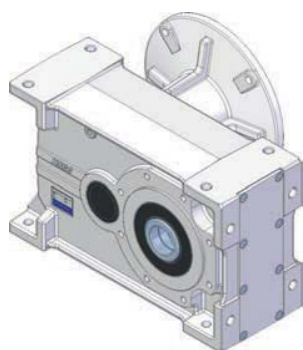


**Atex Cat. 3**

For more information see our guide «Atex installation and maintenance guide» on our website.

Per ulteriori informazioni, consultare la nostra guida «Atex guida alla manutenzione e installazione» sul nostro sito..

## Protective paint Vernice protettiva



CODE **VEACB**

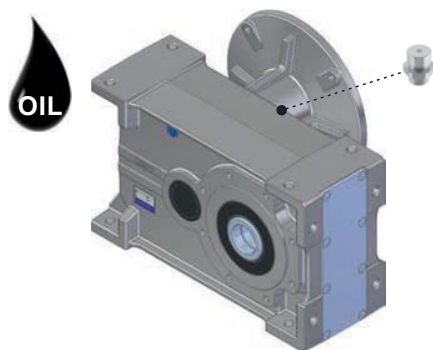
**Color flat WHITE RAL 7035**  
The coating is exceptionally hard, slippery, and then compact presents a tremendous resistance to abrasion. Finds its use where the protection is required by agents external aggressive and corrosive.

**Colore BIANCO opaco RAL 7035**  
il rivestimento risulta eccezionalmente duro, scivoloso, compatto e quindi presenta una fortissima resistenza ad abrasione. Trova il suo utilizzo la dove è necessaria una protezione da agenti esterni aggressivi e corrosivi.

### Advised / Suggestito

**Food industry.**  
Industria alimentare.

## Oil for low temperature and food Olio per basse temperature e alimenti



CODE **OB150**

**Agip Blasia 150**  
**Shell Omala 150**  
Oil for low temperature  
Olio per basse temperature

CODE **OF320**

**Mobil SHC Cibus 320**  
Oil for food  
Olio per alimenti

CODE **OS320**

**Shell Omala 320**  
Synthetic oil only for H71/2/3C and H81/2/3C.  
Olio sintetico solo per H71/2/3C e H81/2/3C.

### Advised / Suggestito

**Low temperature.**  
\* With pressure oil valve plug  
**Basse temperature.**  
\* con tappo olio con valvola



**Oil for food.**  
Olio per alimenti.

**All plugs closed, low internal pressure.**  
Tappi chiusi, bassa pressione interna.

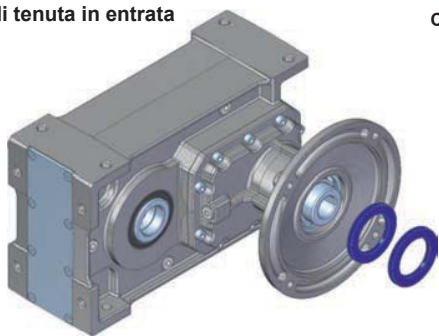
# Parallel shaft - ACCESSORIES AND OPTIONS



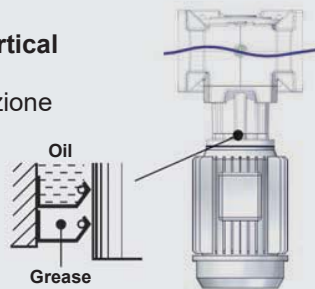
Double input oil seal  
Doppio anello di tenuta in entrata

CODE **ZATEN**

Advised / Suggestito



**Ideal for V6 vertical position.**  
Ideale per posizione verticale V6.

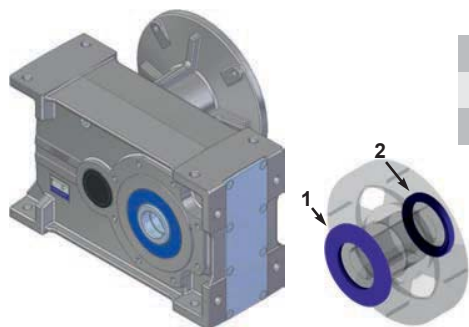


	H62C / H72C	H63C / H73C	H82C	H83C	
<b>IEC</b>	56 B5	—	—	—	
	63 B5	—	35x47x7	—	
	71 B5	45x62x7	35x47x7	—	45x62x7
	80+90 B5	45x62x7	35x47x7	—	45x62x7
	100+112 B5	Not available	Not available	—	Not available
	132 B5	Not available	—	Not available	Not available
	160 B5	—	—	Not available	—
	180 B5	—	—	Not available	—
	<b>NEMA</b>	56 B14	—	—	—
		63 B14	—	—	—
71 B14		—	35x47x7	—	—
80 B14		Not available	35x47x7	—	Not available
90 B14		Not available	35x47x7	—	Not available
100+112 B14		45x62x7	Not available	—	45x62x7
132 B14		Not available	—	—	Not available
56C		45x62x7	35x47x7	—	45x62x7
143/5TC		45x62x7	35x47x7	—	45x62x7
182/4TC		45x62x7	—	Not available	45x62x7
213/5TC	Not available	—	Not available	Not available	
254/6TC	—	—	Not available	—	

Output shaft Viton oil seals  
Anelli di tenuta uscita in Viton

CODE **ATVIU**

Advised / Suggestito



	1	2
H61/2/3	55x100x10	55x80x8
H71/2/3	65x120x12	65x85x10
H81/2/3	75x130x10	75x100x10

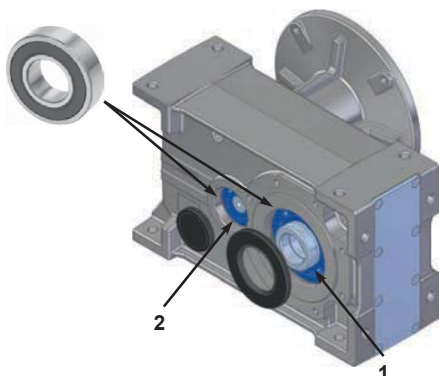
**For ambient temperature >40°C**  
Per temperatura ambiente >40°C



Life lubricated bearings  
Cuscinetti lubrificati a vita

CODE **MONV6**

Advised / Suggestito

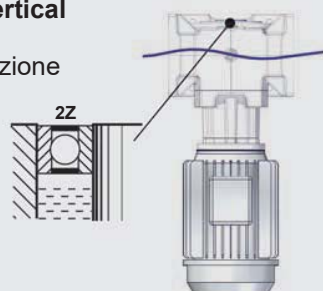


	1
H61/2/3C	6211
H71/2/3C	6213
H81/2/3C	6215

	2
H61/2/3C	6204
H71/2/3C	6204
H81/2/3C	6306

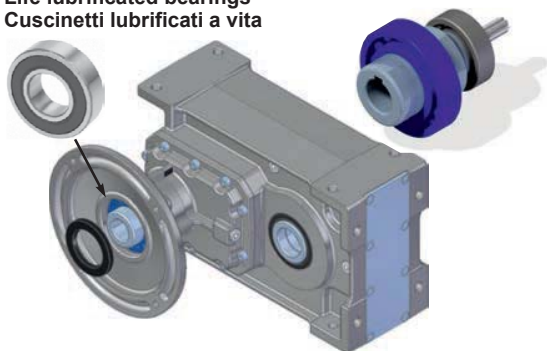
**Ideal for V6 vertical position.**  
Ideale per posizione verticale V6.



# Parallel shaft - ACCESSORIES AND OPTIONS



Life lubricated bearings  
Cuscinetti lubrificati a vita

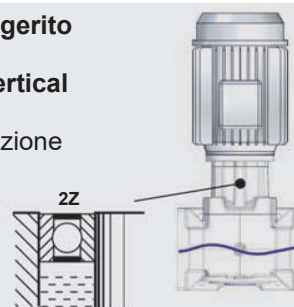


CODE **MONV5**

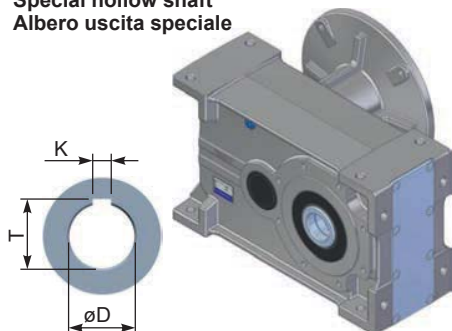
	Type
H63C H73C	6007
H62C H72C H83C	6009
H61C H71C	6011
H82C	6013
H81C	6014

Advised / Suggestito

**Ideal for V5 vertical position.**  
Ideale per posizione verticale V5.



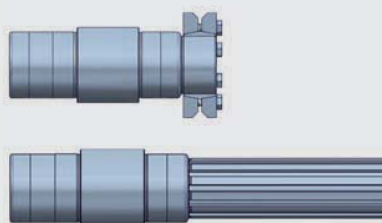
Special hollow shaft  
Albero uscita speciale



CODE **ACR...**

	øD	T	K	CODE
H61/2/3C	40	43.3	12	<b>ACR40</b>
H71/2/3C	45	48.8	14	<b>ACR45</b>
H81/2/3C	55	59.3	16	<b>ACR55</b>

Advised / Suggestito



Shrink disk and kit closing shrink disk cup  
Calettatore e Kit protezione calettatore



**CLOSING DISK CUP CODE**

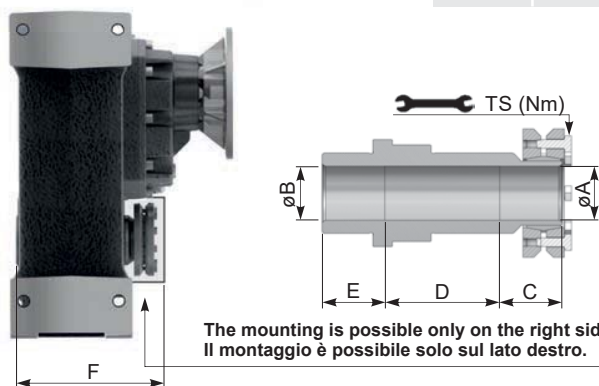
H62/3C	KF600210LM
H72/3C	KF700210LM
H82/3C	KF800210LM

**SHRINK DISK CODE**

H62/3C	KF600165
H72/3C	KF700165
H82/3C	KF800165

Advised / Suggestito

**Frequent starts and stops.**  
Frequenti avvii e arresti.



The mounting is possible only on the right side.  
Il montaggio è possibile solo sul lato destro.

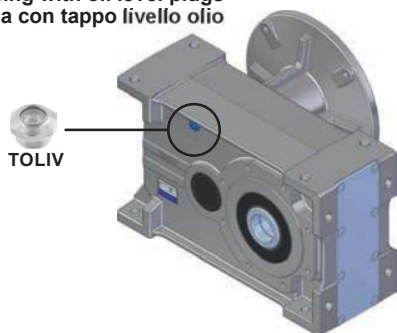
	øA H7	øB H7	C	D	E	F	TS Nm
H62/3C	35	35	30	97.5	30	173	12
H72/3C	40	40	42	97	42	197	12
H82/3C	50	50	35	133	35	215	12

Dimensions and tightening torque (TS) for the shrink disc.  
Dimensioni e coppia serraggio vite per calettatore.

# Parallel shaft - ACCESSORIES AND OPTIONS



Housing with oil level plugs  
Cassa con tappo livello olio



CODE **TOLIV**

	Type
H61/62/63C	3/8G
H71/62/63C	3/8G

Advised / Sugerito

With level oil plug.  
Con tappo livello.

For more information you see our website.  
Per ulteriori informazioni consultare il sito.

Input with Viton oil seal  
Anello di tenuta  
Viton in entrata



CODE **Input without coupling**  
Entrata senza giunto

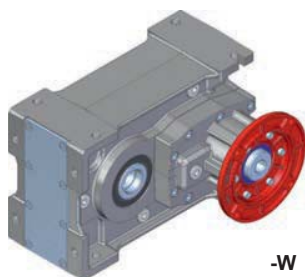
	Type
H62C H72C H83C	45x62x8
H63C H73C	35x47x7

Advised / Sugerito

For ambient temperature >40°C  
Per temperatura ambiente >40°C



NEMA input flange.  
Flangia entrata NEMA.



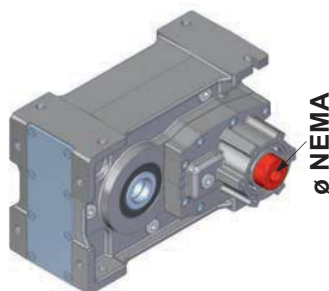
CODE **FLENU**

Advised / Sugerito

USA , CANADA, MEXICO.

	-W	-X	-Y	AA	AB
H62C H72C	56C-0.625	143/5TC-0.875	182/4TC-1.125	213/5TC-1.375	—
H63C H73C	56C-0.625	143/5TC-0.875	—	—	—
H82C	—	—	182/4TC-1.125	213/5TC-1.375	254/6TC-1.625
H83C	56C-0.625	143/5TC-0.875	182/4TC-1.125	213/5TC-1.375	—

Without NEMA flange  
Senza flangia NEMA.



	-K	-N	-S	UA	UB
H62C H72C	0.625	0.875	1.125	—	—
H63C H73C	0.625	0.875	—	—	—
H82C	—	—	1.125	1.375	1.625
H83C	0.625	0.875	1.125	—	—