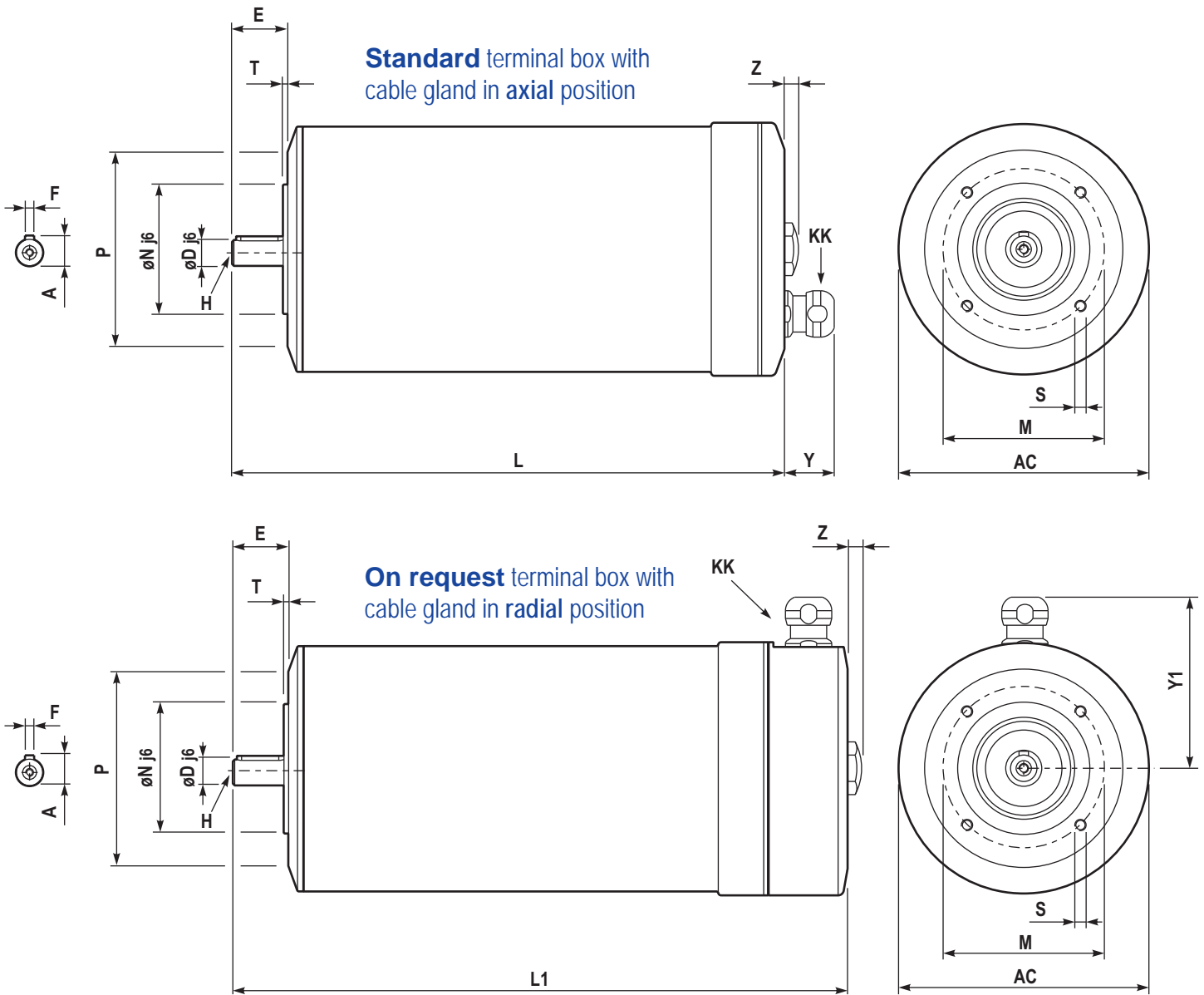


TENV Totally Enclosed non ventilated Totamente chiuso non ventilato kW 0.12÷2.2



Dimensions

Dimensioni

Motor	2 poles kW	4 poles kW	6 poles kW	A	øD j6 H	E	F	L	L1	M	øN j6	P	S	T	AC	KK	Y	Y1	Z
63A	0.18	0.12	-	12.5	ø11 M4x11	23	4	247.5	277	75	60	90	M5x13	2.5	133	M20x1.5	27.5	91.5	7.4
63B	0.25	0.18	-	12.5	ø11 M4x11	23	4	247.5	277	75	60	90	M5x13	2.5	133	M20x1.5	27.5	91.5	7.4
71A	0.37	0.25	0.18	16	ø14 M5x12	30	5	294.5	324	85	70	105	M6x13	2.5	133	M20x1.5	27.5	91.5	7.4
71B	0.55	0.37	0.25	16	ø14 M5x12	30	5	294.5	324	85	70	105	M6x13	2.5	133	M20x1.5	27.5	91.5	7.4
80A	0.75	0.55	0.37	21.5	ø19 M6x16	40	6	340	368.5	100	80	120	M6x13	3	143	M20x1.5	27.5	96.5	7.4
80B	1.1	0.75	0.55	21.5	ø19 M6x16	40	6	340	368.5	100	80	120	M6x13	3	143	M20x1.5	27.5	96.5	7.4
90S	1.5	1.1	0.75	27	ø24 M8x20	50	8	372	401.5	115	95	140	M8x16	3	181	M20x1.5	27.5	116	7.4
90L	2.2	1.5	1.1	27	ø24 M8x20	50	8	372	401.5	115	95	140	M8x16	3	181	M20x1.5	27.5	116	7.4

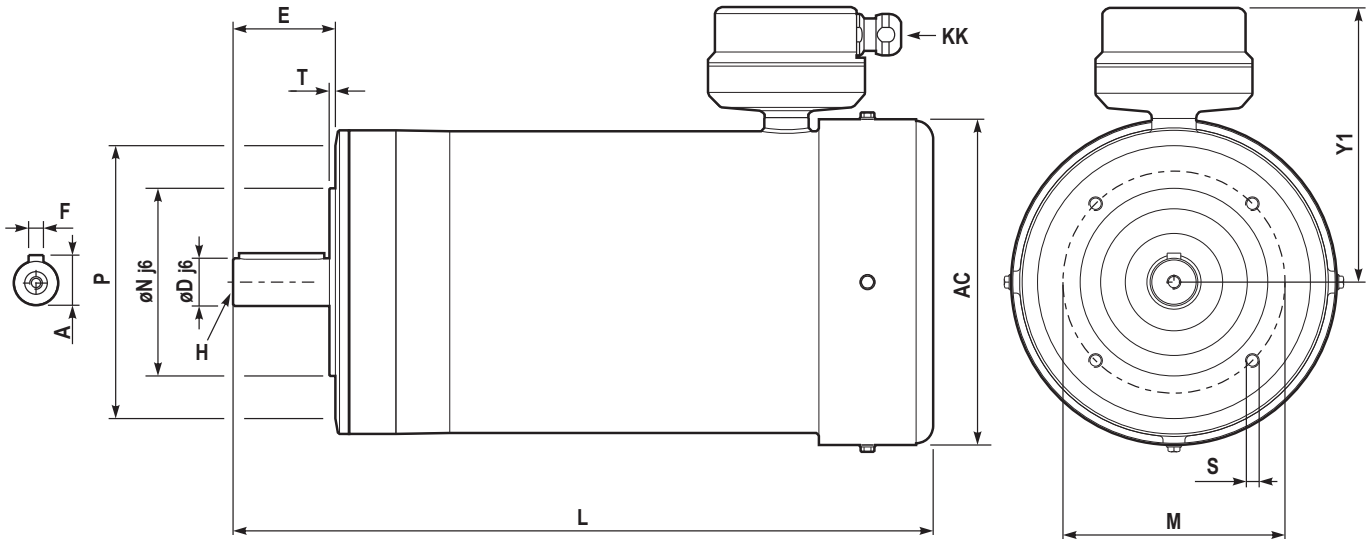
SPM series Stainless steel premium motors

Motori elettrici in acciaio inox

B14

Dimensions

TEFC Totally Enclosed fan cooled
Totalmente chiuso, raffreddato a ventola **kW 2.2÷3.0**



Motor fan and fan cover in stainless steel

All components of the motor fan and fan cover are made of stainless steel.

Tutti i componenti della ventola motore e copri ventola sono in acciaio inox.

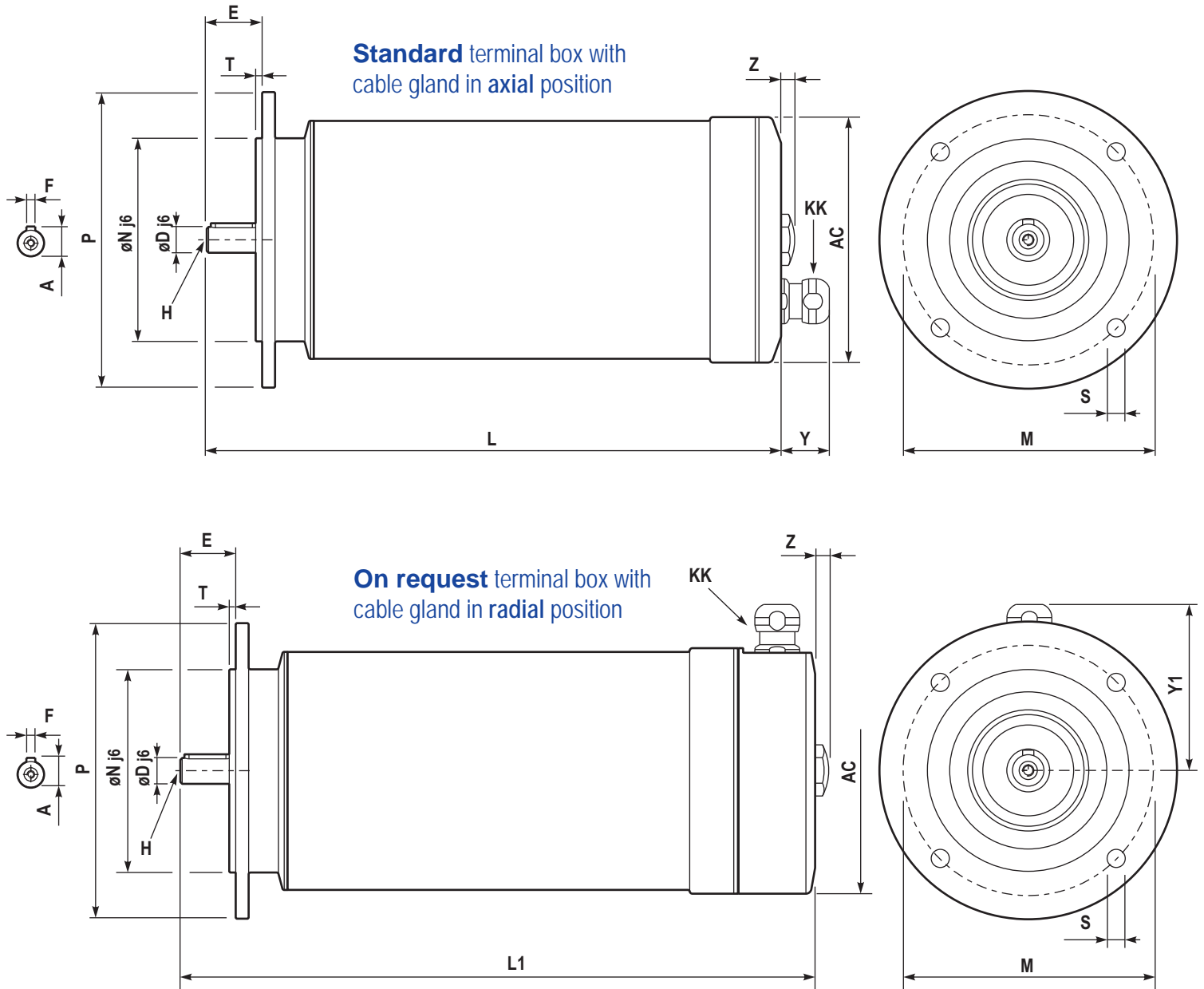


Dimensions

Dimensioni

Motor	2 poles kW	4 poles kW	A	øD j6 H	E	F	L	M	øN j6	P	S	T	AC	KK	Y1
100LA	3.0	2.2	31	ø28 M8x20	60	8	410.5	130	110	160	M8x16	3.5	191	M20x1.5	163

TENV Totally Enclosed non ventilated *Totamente chiuso non ventilato* kW 0.18÷2.2



Dimensions

Dimensioni

Motor	2 poles kW	4 poles kW	6 poles kW	A	øD j6 H	E	F	L	L1	M	øN j6	P	S	T	AC	KK	Y	Y1	Z
71A	0.37	0.25	0.18	16	ø14	30	5	314.5	344	130	110	160	ø10	3.5	133	M20x1.5	27.5	91.5	7.4
71B	0.55	0.37	0.25		M5x12														
80A	0.75	0.55	0.37	21.5	ø19	40	6	340	368.5	165	130	200	ø12	3.5	143	M20x1.5	27.5	96.5	7.4
80B	1.1	0.75	0.55		M6x16														
90S	1.5	1.1	0.75	27	ø24	50	8	402	431.5	165	130	200	ø12	3.5	181	M20x1.5	27.5	116	7.4
90L	2.2	1.5	1.1		M8x20														

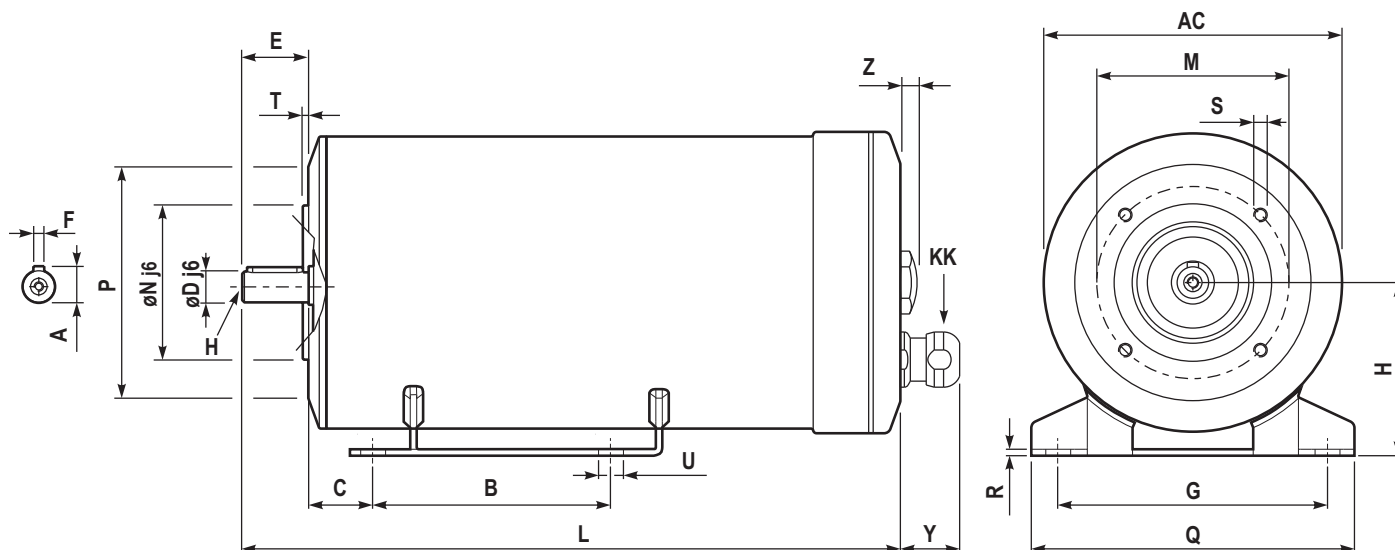
SPM series Stainless steel premium motors

Motori elettrici in acciaio inox

B3

Dimensions

TENV Totally Enclosed non ventilated with foot
Totalmente chiuso e non ventilato con piedino **kW 0.12÷2.2**



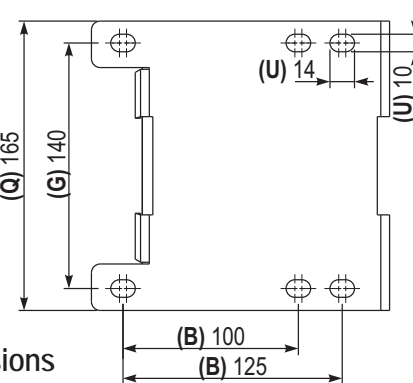
Feet fixing dimensions

Most of the dimensions of the feet are interchangeable with the brands in the market, except for the size 63 and 90.

La maggior parte delle dimensioni del piedino sono intercambiabili con i brand nel mercato, fatta eccezione per la grandezza 63 e 90.

Example of foot dimensions for size 90.

Esempio dimensioni piedino per grandezza 90.



Foot dimensions

Dimensione piede

Motor	B	C	G	H	U	Q	R
63A	90	45	112	71	7x10	132	3
63B	90	45	112	71	7x10	132	3
71A	90	45	112	71	7x10	132	3
71B	90	45	112	71	7x10	132	3
80A	100	50	125	80	10x14	150	3
80B	100	50	125	80	10x14	150	3
90S	100	56	140	100	10x14	165	4
90L	125	56	140	100	10x14	165	4



Dimensions

Dimensioni

Motor	2 poles kW	4 poles kW	6 poles kW	A	ØD j6 H	E	F	L	M	ØN j6	P	S	T	AC	KK	Y	Z
63A	0.18	0.12	-	12.5	Ø11	23	4	247.5	75	60	90	M5x13	2.5	133	M20x1.5	27.5	7.4
63B	0.25	0.18	-	12.5	M4x11	23	4	247.5	75	60	90	M5x13	2.5	133	M20x1.5	27.5	7.4
71A	0.37	0.25	0.18	16	Ø14	30	5	294.5	85	70	105	M6x13	2.5	133	M20x1.5	27.5	7.4
71B	0.55	0.37	0.25	16	M5x12	30	5	294.5	85	70	105	M6x13	2.5	133	M20x1.5	27.5	7.4
80A	0.75	0.55	0.37	21.5	Ø19	40	6	340	100	80	120	M6x13	3	143	M20x1.5	27.5	7.4
80B	1.1	0.75	0.55	21.5	M6x16	40	6	340	100	80	120	M6x13	3	143	M20x1.5	27.5	7.4
90S	1.5	1.1	0.75	27	Ø24	50	8	372	115	95	140	M8x16	3	181	M20x1.5	27.5	7.4
90L	2.2	1.5	1.1	27	M8x20	50	8	372	115	95	140	M8x16	3	181	M20x1.5	27.5	7.4