

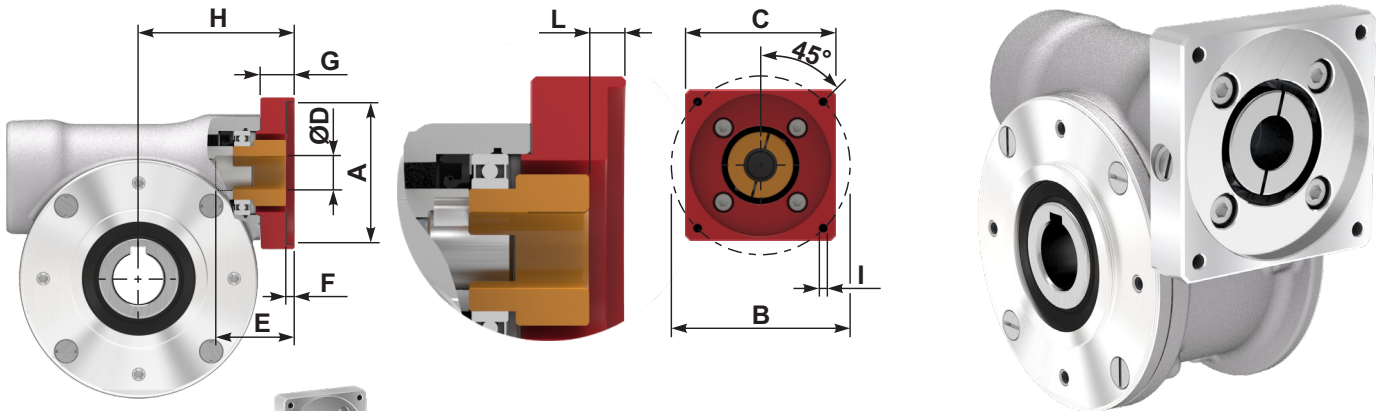
VFD series

D30
D45
D50
D63
D85

Brushless-Tech

Aluminum worm gearboxes

Riduttori a vite senza fine in alluminio



Catalog Flange Code

Input flanges Kit Code

Bushing Kit Code

Coupling Kit Code

Motor shaft Ø

						A	B	C	ØD	E	F	G	L	I	H
D30 21Nm	BA	K0304071	KBR09/14G	K0305190L	Ø9	40	63	58	Ø14	30	4	20	4.7	M5x12	68
	BC	K0304072	KBR11/14G	K0305190L	Ø11	60	75	70	Ø14	30	4.5	20	4.7	M5x12	68
	BB	K0304073	-	K0305190L	Ø14	50	70	60	Ø14	32	4.5	28.5	13.2	M5x12	76.5
D45 41Nm	BC	KD504072	KBR11/14G	KC355190L	Ø11	60	75	70	Ø14	44	4.5	23	9	M5x12	79
	BB	KD504073	-	KC355190L	Ø14	50	70	70	Ø14	44	4.5	23	9	M5x12	79
	BE	KD504074	-	KC355190L	Ø14	80	100	85	Ø14	44	4.5	23	9	M6x12	79
	BF	KD504075	-	KC355190L	Ø14	95	115	100	Ø14	44	4.5	23	9	M8x12	79
D50 72Nm	BD	KD504078	-	KC355190L	Ø14	70	90	80	Ø14	44	4.5	23	9	M6x12	79
	BC	KD504072	KBR11/19G	K0505190L	Ø11	60	75	70	Ø19	48	4.5	23	9	M5x12	83.5
	BC	KD504072	KBR14/19G	K0505190L	Ø14	60	75	70	Ø19	48	4.5	23	9	M5x12	83.5
	BB	KD504073	KBR14/19G	K0505190L	Ø14	50	70	70	Ø19	48	4.5	23	9	M5x12	83.5
	BE	KD504074	KBR14/19G	K0505190L	Ø14	80	100	85	Ø19	48	4.5	23	9	M6x12	83.5
	BF	KD504075	-	K0505190L	Ø19	95	115	100	Ø19	48	4.5	23	9	M8x12	83.5
D63 147Nm	BD	KD504078	-	K0505190L	Ø19	70	90	80	Ø19	48	4.5	23	9	M6x12	83.5
	BC	KD634072	KBR14/22G	KC405190L	Ø14	60	75	90	Ø22	58	4.5	25	9	M5x12	104.5
	BB	KD634073	KBR14/22G	KC405190L	Ø14	50	70	80	Ø22	58	4.5	25	9	M5x12	104.5
	BE	KD634074	KBR14/22G	KC405190L	Ø14	80	100	85	Ø22	58	4.5	25	9	M6x12	104.5
	BF	KD634075	KBR19/22G	KC405190L	Ø19	95	115	100	Ø22	58	4.5	25	9	M8x12	104.5
	BG	KD634076	-	KC405190L	Ø22	110	145	130	Ø22	63	8	30	14	M8x14	109.5
D85 347Nm	BD	KD634078	KBR19/22G	KC405190L	Ø19	70	90	90	Ø22	58	4.5	25	9	M6x12	104.5
	BF	KD854075	KBR19/24G	KC505190L	Ø19	95	115	100	Ø24	60	4.5	26	9.5	M8x14	124.5
	BG	KD854076	KBR22/24G	KC505190L	Ø22	110	145	130	Ø24	64	8	30	13.5	M8x14	128.5
	BH	KD854077	-	KC505190L	Ø24	130	165	140	Ø24	60	5	26	9.5	M8x14	124.5
BD	KD854078	KBR19/24G	KC505190L	Ø19	70	90	95	Ø24	60	4.5	26	9.5	M6x14	124.5	



Fixing holes shifted by 35° Fori fissaggio motore ruotati a 35°



Fixing holes shifted by 30° Fori fissaggio motore ruotati a 30°



Fixing holes shifted by 25° Fori fissaggio motore ruotati a 25°

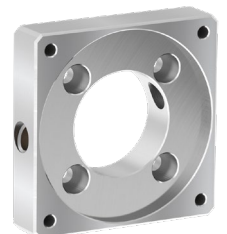
Reduction bushing
Bussola di riduzione



Coupling
Giunto



Flange for servomotor
Flange per servomotori



Available kits
Kit disponibili