

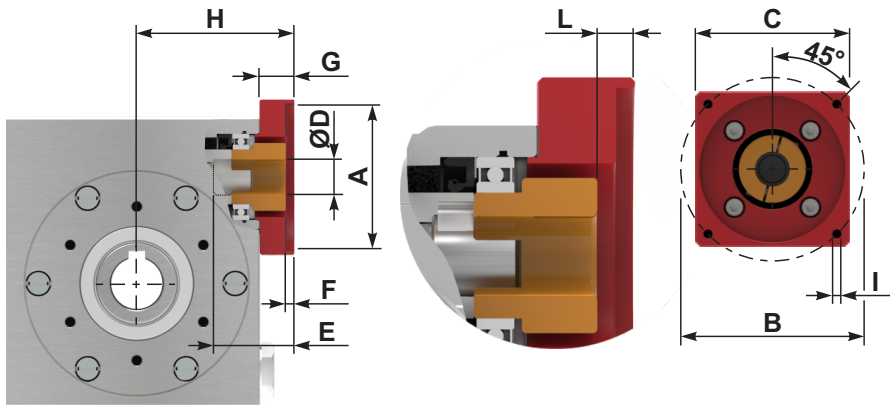
Brushless-Tech

Full stainless steel worm gearboxes

Riduttori a vite senza fine completamente in acciaio inox

130
145
150
163
185

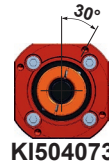
VFI
series



	Catalog Flange Code	Input flanges Kit Code	Bushing Kit Code	Coupling Kit Code	Motor shaft Ø	A	B	C	ØD	E	F	G	L	I	H
130 21Nm	BC	KI304072	KBR11/14G	K0305190L	Ø11	60	75	70	Ø14	30	4.5	20	4.7	M5x12	68
	BB	KI304073	-	K0305190L	Ø14	50	70	60	Ø14	32	4.5	28.5	13.2	M5x12	76.5
145 41Nm	BC	KI504072	KBR11/14G	KC355190L	Ø11	60	75	70	Ø14	44	4.5	23	8.5	M5x12	78.5
	BB	KI504073	-	KC355190L	Ø14	50	70	70	Ø14	44	4.5	23	8.5	M5x12	78.5
	BE	KI504074	-	KC355190L	Ø14	80	100	85	Ø14	44	4.5	23	8.5	M6x12	78.5
	BF	KI504075	-	KC355190L	Ø14	95	115	110	Ø14	44	4.5	23	8.5	M8x12	78.5
	BD	KI504078	-	KC355190L	Ø14	70	90	80	Ø14	44	4.5	23	8.5	M6x12	78.5
150 72Nm	BC	KI504072	KBR11/19G	K0505190L	Ø11	60	75	70	Ø19	48	4.5	23	8.5	M5x12	83
	BC	KI504072	KBR14/19G	K0505190L	Ø14	60	75	70	Ø19	48	4.5	23	8.5	M5x12	83
	BB	KI504073	KBR14/19G	K0505190L	Ø14	50	70	70	Ø19	48	4.5	23	8.5	M5x12	83
	BE	KI504074	KBR14/19G	K0505190L	Ø14	80	100	85	Ø19	48	4.5	23	8.5	M6x12	83
	BF	KI504075	-	K0505190L	Ø19	95	115	100	Ø19	48	4.5	23	8.5	M8x12	83
	BD	KI504078	-	K0505190L	Ø19	70	90	80	Ø19	48	4.5	23	8.5	M6x12	83
163 147Nm	BC	KI634072	KBR14/22G	KC405190L	Ø14	60	75	90	Ø22	58	4.5	25	8.5	M5x12	104
	BB	KI634073	KBR14/22G	KC405190L	Ø14	50	70	80	Ø22	58	4.5	25	8.5	M5x12	104
	BE	KI634074	KBR14/22G	KC405190L	Ø14	80	100	85	Ø22	58	4.5	25	8.5	M6x12	104
	BF	KI634075	KBR19/22G	KC405190L	Ø19	95	115	100	Ø22	58	4.5	25	8.5	M8x12	104
	BG	KI634076	-	KC405190L	Ø22	110	145	130	Ø22	63	8	30	13.5	M8x14	109
	BD	KI634078	KBR19/22G	KC405190L	Ø19	70	90	90	Ø22	58	4.5	25	8.5	M6x12	104
185 347Nm	BF	KI854075	KBR19/24G	KC505190L	Ø19	95	115	100	Ø24	60	4.5	26	9	M8x14	124
	BG	KI854076	KBR22/24G	KC505190L	Ø22	110	145	130	Ø24	64	8	30	13	M8x14	128
	BH	KI854077	-	KC505190L	Ø24	130	165	140	Ø24	60	5	26	9	M8x14	124
	BD	KI854078	KBR19/24G	KC505190L	Ø19	70	90	95	Ø24	60	4.5	26	9	M6x14	124



Fixing holes shifted by 35° Fori fissaggio motore ruotati a 35°



Fixing holes shifted by 30° Fori fissaggio motore ruotati a 30°



Fixing holes shifted by 25° Fori fissaggio motore ruotati a 25°

Viton seals with stainless steel 316L shield

Anelli di tenuta in viton con schermo protettivo in acciaio inox in AISI 316L



Hardened and ground gears

Ingranaggi temprati e rettificati



Feature
Caratteristiche