

# W22Xeb

Increased Safety Motors

Technical Catalogue

European Market



Motors | Automation | Energy | Transmission & Distribution | Coatings

# 1. Standards and Classification of Explosive Atmospheres

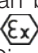
## 1.1 ATEX Directives

The ATEX Directives were adopted by the European Union (EU) to simplify free trade between member states whilst aligning the technical and legal requirements for products utilised in potentially explosive atmospheres.

The ATEX Product Directive 2014/34/EU (“ATEX 114”), effective from 20th April 2016 (and replacing the former 94/9/EC or “ATEX 95”), places responsibilities on the equipment manufacturer, whereas the Worker Protection Directive 1999/92/EC - “ATEX 153” (formerly “ATEX 137”) places obligations on the end user.

Manufacturers’ products must comply with the Essential Health and Safety Requirements for equipment intended for use in potentially explosive atmospheres, and follow a Conformity Assessment Procedure.

This Procedure requires the manufacturer to obtain from a Notified Body (“Ex NB”) an EC Type Examination Certificate for the relevant product(s), a Production Quality Assurance Notification (assessed and periodically audited by an ExNB) and the internal production control by the manufacturer to guarantee the products are in compliance with the ATEX Directive.

ATEX compliant products can be easily recognised by the explosion protection symbol  and the **CE** mark certifying conformity with the Product Directive.

Directive 1999/99/EC (“ATEX 137”) lays down the minimum requirements for improving the safety and health protection of workers at risk from explosive atmospheres, and also classifies the environment into zones and outlines which category of equipment can be used in each zone.

Further, the Directive highlights the responsibilities of End Users to assess potential risks of their workplaces and equipment, prepare an Explosion Protection Document and provide suitable warning signage for areas where explosive atmospheres may occur.



Figure 1 - ATEX Directives Logo

## 1.2 IECEx System

According to its website, [www.iecex.com](http://www.iecex.com), the objective of the IECEx System is defined as the means “to facilitate international trade in equipment and services utilized in potentially explosive atmospheres, whilst maintaining the required level of safety”.

The IECEx System is based on the use of International Electrotechnical Commission (IEC) standards, and is a certification system which verifies compliance to those standards associated with the safe use of equipment in installations where a potential risk of fire or explosion may exist.

An IECEx Quality Assessment Report (“QAR”) is provided once the results of an on-site assessment of the manufacturer’s quality management system has been conducted by the ExCB, and found to be in compliance with the requirements of the IECEx Certified Equipment Scheme and, most importantly, the document

IECEx OD 005.

Thereafter, the ExCB will review and endorse the ExTR and QAR and then issue the IECEx Certificate of Conformity (“CoC”). IECEx certificates are issued electronically and are all available for viewing or printing on the IECEx public access website.



Figure 2 - IECEx System Logo

# 2. Hazardous Areas

According to the IEC 60079-10-1 and IEC 60079-10-2 standards, the definition of an Explosive Atmosphere is a “mixture with air, under atmospheric conditions, of flammable substances in the form of gas, vapors and dusts which, after ignition, permits self-sustaining propagation”.

A Hazardous Area is “an area in which an explosive atmosphere is or may be expected to be present, in quantities such as to require special precautions for the construction, installation and use of equipment”.

Explosions may occur either due to the transfer of flames or through overheating. For this reason, motors with flameproof protection are constructed in such a way as to prevent propagation of an internal explosion in to the hazardous area in which they are installed.

Hazardous areas are classified through Zones, Groups and Temperature Classes.

The classifications according to the International Electrotechnical Commission (IEC) are shown in the Sections 2.1, 2.2, 2.3 and 2.4.

## 2.1 Classification per Zones

Based upon the frequency of the occurrence and duration of an explosive atmosphere and based on the type of flammable material (gases/vapors or dusts):

- **IEC Zone 0 (gases/vapours) or 20 (dusts)**  
An explosive atmosphere with continuous grade of release.
- **IEC Zone 1 (gases/vapours) or 21 (dusts)**  
An explosive atmosphere with primary grade of release.
- **IEC Zone 2 (gases/vapours) or 22 (dusts)**  
An explosive atmosphere with secondary grade of release.

**Zone 2/22:** area in which an explosive atmosphere is not likely to occur in normal operation but, if it does occur, will persist for a short period only.

**Zone 1/21:** area in which an explosive atmosphere is likely to occur in normal operation occasionally.

**Zone 0/20:** area in which an explosive atmosphere is present continuously or for long periods or frequently.

(not applicable for motors and generators)

## 2.2 Classification per Groups

Subdivision according to the type of flammable material present.

**IEC Group I:** gases present in underground coal mines (example: methane)

**IEC Group II:** gases present in other explosive atmospheres.  
Group II subdivisions:

- **IEC Group IIA:** example: Propane
- **IEC Group IIB:** example: Ethylene
- **IEC Group IIC:** example: Hydrogen

**IEC Group III:** dusts

Group III subdivisions:

- **IEC Group IIIA:** solid particles, larger than 500 µm suspended - combustible dusts.
- **IEC Group IIIB:** non-conductive dust, equal or smaller than 500 µm, with electrical resistivity greater than to 10<sup>3</sup> Ω.m - grime.
- **IEC Group IIIC:** conductive dust, equal or smaller than 500 µm, with electrical resistivity less than or equal to 10<sup>3</sup> Ω.m - metallic dust.

## 2.3 Classification per Temperature Classes

According to the temperature limitation, related to the ignition temperature of the flammable material present. The IEC 60079-0 defines the limits for electrical equipment surface temperature for Groups I, II and III.

Conditions	Maximum surface temperature (°C) <sup>1)</sup>
Where coal dust is not likely to form a layer	450
Where coal dust can form a layer	150

Note: 1) On any surface of the enclosure.

Table 1 - Group I - Underground Coal Mines (Methane and Coal Dust)

Temperature class	Maximum surface temperature (°C)
IEC	
T1	450
T2	300
T3	200
T4	135
T5	100
T6	85

Table 2 - Group II - Gases & Vapours

Conditions	Maximum surface temperature (°C) <sup>1)</sup>
With dust layers	Maximum surface temperature of the apparatus must be determined for a given depth of dust layer
Without dust layers	Maximum surface temperature of the apparatus shall not exceed the assigned value.

Note: 1) On any surface of the enclosure.

Table 3 - Group III - Conductive Dusts

## 2.4 Equipment Protection Levels - EPL

In addition to the traditional hazardous area classification of the IEC 60079-10-1 and IEC 60079-10-2, which considers the possibility of an explosion occurring, the 2011 version of IEC 60079-0 introduced a new risk assessment approach known as the "Equipment Protection Level" that considers, besides the hazardous location itself, the consequences of a possible

explosion. The primary intent of the EPL is to allow flexibility in the use of equipment in the various zones. For example it may be appropriate to use Gc equipment in a Zone 1 area where the amount of flammable gas / vapour is small and the location is unmanned virtually all of the time. Conversely Gb equipment may be selected in Zone 2 to allow this equipment to be used in the event of a persistent emergency condition. IEC 60079-14 explains in detail how to use EPL's in a risk assessment. The EPL designations are defined as follows:

### First Indices

**M** - Mines

**G** - Gas

**D** - Dust

### Second Indices

**a** - Equipment having a very high level of protection

**b** - Equipment having a high level of protection

**c** - Equipment having an enhanced level of protection

Relationship between Groups, Zones and EPL's are detailed in the Table 4:

Group	Zone	EPL
Group I	-	Ma
		Mb
Group II	0	Ga
	1	Gb
	2	Gc
Group III	20	Da
	21	Db
	22	Dc

Table 4 - Relationship between Groups, Zones and EPL's

## Protection

W22Xeb "Ex eb" Increased Safety motors are certified for installation in hazardous areas defined as Zone 1 (Gas Groups IIA, IIB, IIC) and, optionally, "Ex tb", Zone 21 (Dust Groups IIIA, IIIB, IIIC).

## 3. W22Xeb Motors

Increased Safety "Ex eb" motors are designed to prevent the occurrence in operation (including starting & locked rotor conditions) of arcs, sparks and excessive overheating of all inner and outer surfaces of the machine which could reach the self ignition temperature of the surrounding potentially explosive atmosphere.



Figure 3 - W22Xeb motor

### 3.1 W22Xeb Motor Features

#### 3.1.1 Standard

- Rated output: 0.12 to 250 kW
- Number of poles: 2 to 8
- Frame sizes: IEC 63 to 355M/L
- Voltage: up to 690 V
- Frequency: 50/60 Hz
- Efficiency level: IE2 High Efficiency  
IE3 Premium Efficiency
- Hazardous area: Zone 1 – Gas Groups IIA, IIB, IIC
- Ambient temperature range: -20 °C to +40 °C
- Degree of protection: IP55
- Painting plan C2 according to ISO 12944 (CENELEC Design)
- Painting plan C4 according to ISO 12944 (VIK Design)
- Mounting: B3T
- Insulation class: “F” (DT80K)

#### 3.1.2 Optional

- Dual marking for Zone 1 / Zone 21, Gas & Dust: Ex eb / Ex tb
- Degree of protection up to IP66
- Ambient temperature range: -55 °C to +60 °C
- PTC thermistors, anti-condensation heaters
- Painting plans C4, C5M/C5I, CX according to ISO 12944
- Suitable for frequency inverter application

#### 3.2 W22Xeb – VIK Execution

According VIK Recommendation No VE 1 (January 2018)

- Rated output: 0.12 kW to 100 kW<sup>1)</sup> (according DIN 42673-2)
- Minimum efficiency IE2
- Frame Sizes: IEC 63 to 315S/M<sup>1)</sup>
- tE time according VIK recommendation
- Additional nameplate inside the terminal box
- Mobil Unirex N2 grease (frames 160 & above)
- Grease nipples M10x1 acc. DIN 3404
- Extended grease outlet (frames 160 & above)
- Removable gland plate (frames 315 & above)
- Loctite 5923 sealing on joints
- Cooling fans: plastic

Note: 1) Larger frame sizes & outputs > 100 kW acc. IEC 60034-1.



Figure 4 - VIK Recommendation No VE 1

### 3.3 VFD Application

W22Xeb motors are also certified for operation with Variable Frequency Drives:

- Certified thermal protection embedded in motor windings
- Separate rating plate indicating permissible operating parameters under variable speed conditions
- Must respect WEG derating curves / conditions defined in ATEX & IECEx certificates



Figure 5 - W22Xeb with CFW-11 Ex eb Design - Key Requirements

#### 3.4 Ex eb Design - Key Requirements

- Terminal boxes must have a minimum degree of protection IP54.
- All components and connection cables must be firmly fastened, without allowing any movement during installation and operation.
- The screw connections have a specified torque value (indicated in the O&M manual).
- tE time may not be below than 5 seconds and starting current ratio IA/IN not exceeding 10 times rated current.
- Special attention to cross section, impregnation and reinforcement of winding wire.
- Temperature rise limited to 70 K for ambient conditions of 40 °C (must be at least 10 K below the permitted maximum of the insulation class) .

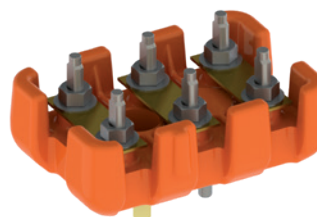


Figure 6 - Terminal block

#### 3.5 Certification

- ATEX & IECEx certifications
- Zone 1 / Zone 21
- Gas groups IIA, IIB, IIC / Dust groups IIIA, IIIB, IIIC
- Standards IEC 60079-0, 60079-7 & 60079-31

#### Marking

Ex eb IIC T3 Gb / Ex tb IIIC T125 °C Db



Figure 7 - Certifying bodies

## 4. Shaft / Bearings Data

### 4.1 Shaft

The shaft steel material for W22Xeb standard motors is AISI 1040/45, in frames IEC 63 to 315S/M, and AISI 4140 for frames 315L and 355M/L. When supplied with roller bearings, the shaft material must be AISI 4140. Information regarding the maximum allowable radial and axial loads on shaft ends is given in Table 8, Table 9, Table 10, Table 11 and Table 12.

Important: when equipped with a roller bearing, it is necessary to lock the non-drive end bearing which obliges replacement of the non-drive end bearing cap.

Shafts of W22Xeb motors are supplied with an open profile keyway, with a threaded centre hole, and can optionally be provided with a second shaft end.

*Note: 2 pole motors will have, as an option, only the shaft end in stainless steel AISI 316.*

### 4.2 Bearings

W22Xeb motors are supplied with deep groove ball bearings as standard (Figure 8). Optionally, for frame sizes 132 and above, NU series roller bearings can be fitted to motors intended for heavy duty applications where high radial loads may occur e.g. pulley and belt drives.



Figure 8 - Ball bearing view

The nominal bearing life L10h is 20.000 or 40.000 hours in conformance with maximum radial and axial loads as described in Table 8, Table 9, Table 10, Table 11 and Table 12. When direct coupled to the load (without axial or radial thrusts), the L10h bearing life can be extended to 50.000\* hours.

\* For regreasable motors. Other configurations contact WEG.

In standard configuration, with ball bearings, the drive end bearing is locked axially from frame 160. To compensate for any axial movement the motors are fitted with pre-load washers for frames 63 to 200 and with pre-load springs for frames 225 to 355. When provided with roller bearings, the non-drive end bearing is locked and the axial movement is compensated by the axial play of the front roller bearing.

The lifetime of the bearing is dependent on its type and size, the radial and axial mechanical loads it is submitted to, operating conditions (environment, temperature, mounting orientation), rotational speed and grease life. Therefore, bearing lifetime is closely related to its correct use, maintenance and lubrication. Respecting the quantity of grease and lubrication intervals allows bearings to reach the indicated lifetime. W22Xeb motors in IEC frames 225S/M and above are provided as standard with grease fittings in each endshield to permit the relubrication of the bearings (optional for frames 90 to 200). The quantity of grease and lubrication intervals are stamped on the motor nameplate. The lubrication intervals are shown in Table 6 and Table 7. It must be emphasized that excessive lubrication, i.e. a quantity of grease greater than that recommended on the motor nameplate, can result in the increase of bearing temperatures leading to reduced operating hours.

#### Note:

1. L10h lifetime means that at least 90% of the bearings submitted to the maximum indicated loads will reach the number of hours indicated. The maximum admissible radial and axial loads for the standard configuration are shown in Table 8, Table 9, Table 10, Table 11 and Table 12. The values of the maximum radial load consider axial load as nil. The values of the maximum axial load consider radial load as nil. For bearing lifetimes with combined axial and radial loads condition contact WEG.

2. The radial force value Fr usually results from information recommended in the catalogues of pulley / belt manufacturers.

When this information is not available, the force Fr, under operation, can be calculated based on the output power, on coupling design characteristics with pulleys and belts and on the type of application. So we have:

$$Fr = \frac{19,1 \times 10^6 \times P_n}{n_n \times dp} \times ka \text{ (N)}$$

Where:

Fr is the radial force caused by pulley and belt coupling [N];

Pn is the motor rated power [kW];

n<sub>n</sub> is the motor rated speed per minute [rpm];

dp is the pitch diameter of the drive pulley [mm];

ka is a factor that depends on belt tension and type of application (Table 5).

Groups and basic types of application		ka factor of the application	
		V belts	Plane belts
1	Fans and blowers, centrifugal pumps, winding machines, compressors, machine tools with outputs up to 22 kW (30 HP)	2,0	3,1
2	Fans and blowers, centrifugal pumps, winding machines, compressors, machine tools with outputs higher than 22 kW (30 HP)	2,4	3,3
3	Presses, vibrating screens, piston and screw compressors, pulverisers, helicoidal conveyors, woodworking machines, textile machines, kneading machines, ceramic machines, pulp and paper industrial grinders (for all power range).	2,7	3,4
4	Overhead cranes, hammer mills, metal laminators, conveyors, gyratory crushers, jaw crushers, cone crushers, cage mills, ball mills, rubber mixers, mining machines, shredders (for all power range).	3,0	3,7

Table 5 - ka factor

#### Important:

##### 1 - Special applications

Motor operation under adverse operating conditions, such as higher ambient temperatures and altitudes or abnormal axial / radial loads, may require specific lubrication measures and alternative relubrication intervals to those indicated in the tables provided within this technical catalogue.

##### 2 - Roller bearings

Roller bearings require a minimum radial load so as to ensure correct operation. They are not recommended for direct coupling arrangements, or for use on 2 pole motors.

##### 3 - Frequency inverter driven motors

Bearing life may be reduced when a motor is driven by a frequency drive at speeds above nominal. Speed itself is one of the factors taken into consideration when determining motor bearing life.

##### 4 - Motors with modified mounting configurations

For motors supplied with horizontal mounting but working vertically, lubrication intervals must be reduced by half.

##### 5 - Figures for radial thrusts

The figures given in the tables below for radial thrusts take into consideration the point upon which the load is applied, either at the centre of the shaft (L/2) or at the end of the shaft (L), Figure 9.

*Note: On motors with second shaft end, refer to WEG for details of the maximum permissible axial and radial loads.*

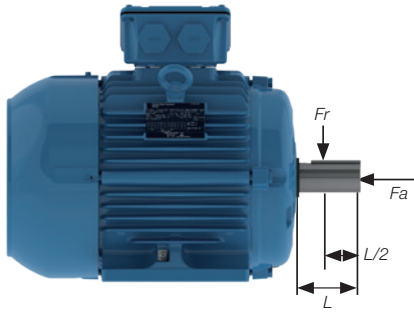


Figure 9 - Radial and axial thrust on motor shaft

### 4.3 Lubrication Intervals (Ambient ≤ 40°C at Rated Speed)

Frame	Poles	Lubrication intervals (hours)	
		50 Hz	60 Hz
160	2	25000	25000
	4		
	6		
	8		
180	2	25000	25000
	4		
	6		
	8		
200	2	25000	25000
	4		
	6		
	8		
225	2	5000	4000
	4	14000	12000
	6	20000	17000
	8	24000	20000
250	2	5000	4000
	4	14000	12000
	6	20000	17000
	8	24000	20000
280	2	5000	4000
	4	13000	10000
	6	18000	16000
	8	20000	20000
315	2	5000	4000
	4	11000	8000
	6	16000	13000
	8	20000	17000
355	2	5000	4000
	4	4000	On request
	6	9000	6000
	8	13000	11000
		19000	14000

Note: the amount of grease is indicated on the nameplate.

Table 6 - Lubrication intervals for ball bearings (horizontal mounting).

Frame	Poles	Lubrication intervals (hours)	
		50 Hz	60 Hz
160	4	25000	25000
	6		
	8		
180	4	25000	25000
	6		
	8		
200	4	25000	21000
	6		25000
	8		
225	4	11000	9000
	6	16000	13000
	8	20000	19000
250	4	11000	9000
	6	16000	13000
	8	20000	19000
280	4	9000	7000
	6	14000	12000
	8	19000	17000
315	4	7000	5000
	6	12000	9000
	8	17000	15000
355	4	5000	4000
	6	9000	7000
	8	14000	13000

Note: the amount of grease is indicated on the nameplate.

Table 7 - Lubrication intervals for roller bearings (horizontal mounting).

### 4.4 Permissible Loads

Frame	Maximum permissible radial thrust - 50 Hz - Fr in (kN) 20.000 hours							
	2 poles		4 poles		6 poles		8 poles	
	L	L/2	L	L/2	L	L/2	L	L/2
63	0,3	0,4	0,3	0,4	0,3	0,4	0,3	0,4
71	0,5	0,5	0,5	0,6	0,5	0,6	0,6	0,7
80	0,6	0,6	0,7	0,7	0,7	0,8	0,8	1,0
90	0,6	0,7	0,7	0,8	0,8	0,9	0,9	1,0
100	0,9	1,0	1,0	1,1	1,2	1,3	1,3	1,4
112	1,2	1,3	1,4	1,5	1,6	1,8	1,7	1,9
132	1,8	2,0	2,2	2,4	2,4	2,7	2,6	2,9
160	2,3	2,6	2,6	2,9	2,7	3,3	2,7	3,7
180	3,1	3,5	3,6	4,0	4,2	4,7	4,2	5,2
200	3,7	4,0	4,2	4,7	4,9	5,4	5,7	6,2
225	5,1	5,5	5,2	6,3	5,3	7,0	5,7	8,1
250	4,9	5,3	5,2	5,7	6,5	7,1	6,0	8,2
280	5,0	5,4	6,7	7,2	7,8	8,4	8,7	9,4
315S/M	4,3	4,7	7,0	7,7	8,1	8,8	9,0	9,8
355M/L	4,8	5,1	8,5	9,3	9,6	10,4	11,6	12,6

Table 8 - Maximum permissible radial thrusts for ball bearings (horizontal mounting)

Frame	Maximum permissible radial thrust - 50 Hz - Fr in (kN) 40.000 hours							
	2 poles		4 poles		6 poles		8 poles	
	L	L/2	L	L/2	L	L/2	L	L/2
63	0,2	0,2	0,3	0,3	0,3	0,4	0,3	0,4
71	0,3	0,3	0,4	0,4	0,5	0,5	0,5	0,6
80	0,5	0,5	0,5	0,6	0,6	0,6	0,7	0,7
90	0,5	0,5	0,5	0,6	0,6	0,7	0,7	0,8
100	0,7	0,7	0,7	0,8	0,9	1,0	1,0	1,1
112	0,9	1,0	1,0	1,1	1,2	1,4	1,3	1,4
132	1,4	1,6	1,6	1,8	1,8	2,0	2,0	2,2
160	1,8	2,0	1,9	2,1	2,2	2,4	2,5	2,7
180	2,4	2,7	2,7	3,0	3,2	3,5	3,6	3,9
200	2,8	3,0	3,2	3,5	3,7	4,0	4,3	4,7
225	3,9	4,3	4,3	4,7	4,7	5,2	5,6	6,2
250	3,7	4,1	3,8	4,2	4,9	5,4	5,7	6,3
280	3,8	4,1	4,9	5,4	5,8	6,3	6,5	7,0
315S/M	3,1	3,4	4,9	5,4	5,7	6,2	6,3	6,9
355M/L	3,3	3,6	5,8	6,3	6,5	7,1	8,2	8,9

Table 9 - Maximum permissible radial thrusts for ball bearings (horizontal mounting).

Frame	Maximum permissible radial thrust - 50 Hz - Fr in (kN) 40.000 hours					
	4 poles		6 poles		8 poles	
	L/2	L	L/2	L	L/2	L
160	5,0	3,2	5,1	3,3	5,1	3,3
180	8,8	5,5	8,8	5,6	8,8	5,6
200	11,2	7,3	11,2	7,4	11,3	7,4
225S/M	12,9	7,6	12,9	7,6	13,0	7,8
250S/M	13,7	8,9	13,8	8,9	13,7	8,9
280S/M	19,3	12,6	19,4	12,8	19,6	12,9
315S/M	25,8	12,9	27,4	13,0	27,4	13,2
355M/L	34,0	17,3	33,5	16,4	33,5	16,1

Note: the values given for roller bearings consider AISI 4140 steel shafts.

Table 10 - Maximum permissible radial thrusts for roller bearings (horizontal mounting)

Maximum permissible axial thrust - 50 Hz - Fa in (kN) - 20.000 hours							
Frame	Poles	Horizontal		Vertical with shaft upwards		Vertical with shaft downwards	
		Pushing	Pulling	Pushing	Pulling	Pushing	Pulling
63	2	0,2	0,2	0,2	0,2	0,2	0,2
	4	0,3	0,3	0,3	0,3	0,3	0,3
	6	0,3	0,4	0,3	0,4	0,4	0,3
	8	0,3	0,4	0,3	0,4	0,4	0,3
71	2	0,2	0,3	0,2	0,3	0,2	0,3
	4	0,3	0,4	0,3	0,4	0,3	0,4
	6	0,4	0,5	0,4	0,5	0,4	0,5
	8	0,5	0,6	0,4	0,6	0,5	0,6
80	2	0,3	0,4	0,3	0,4	0,3	0,4
	4	0,4	0,6	0,3	0,6	0,4	0,5
	6	0,5	0,7	0,4	0,7	0,5	0,7
	8	0,6	0,8	0,5	0,9	0,6	0,8
90	2	0,4	0,4	0,3	0,5	0,4	0,4
	4	0,5	0,6	0,5	0,7	0,5	0,6
	6	0,6	0,7	0,6	0,8	0,6	0,7
	8	0,8	0,9	0,7	0,9	0,8	0,8
100	2	0,4	0,6	0,3	0,7	0,4	0,6
	4	0,5	0,8	0,4	0,9	0,5	0,8
	6	0,7	1	0,6	1,1	0,7	1
	8	0,8	1,2	0,7	1,3	0,8	1,1
112	2	0,5	0,8	0,5	0,9	0,6	0,7
	4	0,7	1,1	0,7	1,2	0,8	1
	6	1	1,4	0,9	1,5	1	1,3
	8	1,1	1,5	1	1,7	1,1	1,4
132	2	0,7	1,3	0,6	1,5	0,8	1,2
	4	1	1,8	0,8	2,1	1	1,7
	6	1,2	2,2	1,1	2,5	1,3	2,1
	8	1,4	2,5	1,2	2,8	1,4	2,3
160	2	2,4	1,7	0,2	2,1	2,8	1,5
	4	3	2,3	2,7	2,7	3,4	2
	6	3,4	2,7	3,1	3,3	4	2,4
	8	3,9	3,2	3,6	3,7	4,4	2,9
180	2	3,2	2,3	2,9	2,8	3,7	2
	4	3,9	3	3,6	3,7	4,6	2,7
	6	4,7	3,8	4,2	4,5	5,3	3,3
	8	5,2	4,4	4,8	5,1	6	3,9
200	2	3,6	2,6	3,1	3,3	4,3	2,1
	4	4,5	3,5	4	4,3	5,3	3
	6	5,2	4,2	4,7	5,1	6,1	3,7
	8	6	5	5,5	5,9	6,9	4,5
225	2	4,6	3,8	3,8	4,9	5,7	3,1
	4	5,8	5	5	6,3	7,1	4,2
	6	6,7	5,9	5,7	7,6	8,4	4,9
	8	7,8	7	6,9	8,5	9,3	6,1
250	2	4,5	3,7	3,7	4,9	5,6	3
	4	5,4	4,7	4,2	6,6	7,4	3,4
	6	6,8	6	5,4	8	8,8	4,6
	8	7,8	7,1	6,6	8,9	9,7	5,9
280	2	4,4	3,7	3,2	5,4	6,2	2,4
	4	6,3	5,5	4,6	8	8,8	3,9
	6	7,6	6,8	5,8	9,4	10,2	5
	8	8,5	7,8	6,6	10,6	11,4	5,8
315S/M	2	4,1	3,3	2,4	5,9	6,7	1,6
	4	6,8	6	4,3	10	10,7	3,5
	6	8	7,2	5,2	11,9	12,7	4,5
	8	9,1	8,3	6,2	13,2	14	5,5
355M/L	2	4,4	3,7	1,1	8,8	9,5	0,3
	4	7,7	7	3,2	13,9	14,7	2,5
	6	9,1	8,4	4,7	15,3	16	3,9
	8	10,9	10,2	6,4	17,2	17,9	5,7

Table 11 - Maximum permissible axial thrusts for ball bearings (horizontal mounting) - 20.000 hours

Maximum permissible axial thrust - 50 Hz - Fa in (kN) - 40.000 hours							
Frame	Poles	Horizontal		Vertical with shaft upwards		Vertical with shaft downwards	
		Pushing	Pulling	Pushing	Pulling	Pushing	Pulling
63	2	0,1	0,1	0,1	0,1	0,1	0,1
	4	0,2	0,2	0,2	0,2	0,2	0,2
	6	0,2	0,2	0,2	0,2	0,2	0,2
	8	0,2	0,2	0,2	0,2	0,2	0,2
71	2	0,1	0,2	0,1	0,2	0,1	0,2
	4	0,2	0,3	0,2	0,3	0,2	0,2
	6	0,2	0,3	0,2	0,3	0,2	0,3
	8	0,3	0,4	0,3	0,4	0,3	0,4
80	2	0,2	0,3	0,1	0,3	0,2	0,3
	4	0,2	0,4	0,2	0,4	0,2	0,3
	6	0,3	0,5	0,3	0,5	0,3	0,4
	8	0,4	0,6	0,3	0,6	0,4	0,5
90	2	0,2	0,3	0,2	0,3	0,2	0,2
	4	0,3	0,4	0,3	0,4	0,3	0,3
	6	0,4	0,5	0,4	0,5	0,4	0,4
	8	0,5	0,6	0,5	0,6	0,5	0,5
100	2	0,2	0,4	0,2	0,4	0,2	0,3
	4	0,3	0,5	0,2	0,6	0,3	0,5
	6	0,4	0,7	0,3	0,8	0,4	0,6
	8	0,5	0,8	0,4	0,9	0,5	0,7
112	2	0,3	0,5	0,3	0,6	0,3	0,4
	4	0,4	0,7	0,4	0,8	0,5	0,6
	6	0,6	0,9	0,5	1,1	0,6	0,8
	8	0,7	1	0,6	1,2	0,7	0,9
132	2	0,4	0,9	0,3	1,1	0,5	0,8
	4	0,6	1,2	0,5	1,4	0,6	1,1
	6	0,8	1,5	0,6	1,8	0,8	1,3
	8	0,9	1,7	0,7	2	0,9	1,5
160	2	1,8	1,1	1,6	1,5	2,2	0,9
	4	2,2	1,5	1,9	1,9	2,6	1,2
	6	2,5	1,8	2,2	2,3	3,1	1,5
	8	2,9	2,2	2,5	2,7	3,4	1,8
180	2	2,4	1,5	2,1	2	2,9	1,2
	4	2,9	2	2,5	2,6	3,5	1,6
	6	3,4	2,5	3	3,2	4,1	2,1
	8	3,9	3	3,5	3,7	4,6	2,6
200	2	2,7	1,7	2,2	2,4	3,4	1,2
	4	3,3	2,3	2,8	3,1	4,1	1,8
	6	3,8	2,8	3,3	3,8	4,8	2,3
	8	4,4	3,4	3,9	4,3	5,3	2,9
225	2	3,4	2,6	2,7	3,7	4,5	1,9
	4	4,2	3,5	3,4	4,7	5,5	2,6
	6	4,8	4	3,8	5,7	6,5	3
	8	5,7	4,9	4,8	6,4	7,1	4,1
250	2	3,4	2,5	2,5	3,7	4,5	1,8
	4	3,9	3,1	2,6	5	5,9	1,8
	6	4,9	4,1	3,6	6,2	7	2,8
	8	5,8	4,9	4,5	6,8	7,6	3,8
280	2	3,3	2,5	2	4,3	5,1	1,2
	4	4,6	3,8	2,9	6,2	7	2,1
	6	5,4	4,7	3,6	7,3	8	2,8
	8	6,1	5,4	4,2	8,2	9	3,4
315	2	2,9	2,2	1,2	4,8	5,5	0,4
	4	4,7	4	2,2	7,9	8,6	1,4
	6	5,6	4,8	2,8	9,4	10,2	2
	8	6,4	5,6	3,4	10,4	11,2	2,6
355M/L	2	3,1	2,4	0,6	6,7	7,5	0,2
	4	5,5	4,7	1,9	1,1	11,6	1,2
	6	6,3	5,6	2,8	11,8	12,7	2
	8	7,6	6,8	3,8	13,2	13,7	2,9

Table 12 - Maximum permissible axial thrusts for ball bearings (horizontal mounting) - 40.000 hours

## 5. Electrical Data

### 5.1 W22Xeb - IE2 High Efficiency - CENELEC Design<sup>1)</sup>

Output		Frame	Full Load Torque (Nm)	Locked Rotor Current I <sub>L</sub> /I <sub>n</sub>	Locked Rotor Torque T <sub>L</sub> /T <sub>n</sub>	Break-down Torque T <sub>b</sub> /T <sub>n</sub>	Inertia J (kgm <sup>2</sup> )	Allowable locked rotor time (s)		Weight (kg)	Sound dB(A)	400 V										tE Time (s)	
								Rated speed (rpm)	% of full load						Full load current I <sub>n</sub> (A)	T1/T2	T3						
									Efficiency			Power Factor											
kW	HP							Hot	Cold			50	75	100	50	75	100						
II pole - 3000 rpm - 50 Hz																							
0,12	0,16	63	0,410	5,4	2,9	2,9	0,0001	40	88	7,2	52,0	2820	52,6	53,1	53,6	0,54	0,67	0,76	0,425	18	18		
0,18	0,25	63	0,610	5,0	2,6	2,6	0,0002	22	48	7,5	52,0	2830	57,3	62,2	62,2	0,53	0,65	0,74	0,564	22	22		
0,25	0,33	63	0,850	4,5	2,0	2,1	0,0002	17	37	7,9	52,0	2805	59,7	64,7	66,4	0,54	0,68	0,77	0,706	17	17		
0,37	0,5	71	1,24	5,3	2,1	2,6	0,0004	22	48	10,5	56,0	2840	70,1	70,9	70,9	0,66	0,79	0,85	0,886	22	22		
0,55	0,75	71	1,86	6,6	3,7	3,3	0,0005	18	40	11,5	56,0	2830	72,5	73,5	75,3	0,68	0,79	0,85	1,24	18	12		
0,75	1	80	2,52	6,1	2,6	2,6	0,0009	25	55	15,0	59,0	2845	77,6	79,6	78,6	0,63	0,76	0,82	1,68	25	14		
1,1	1,5	L80	3,71	6,2	2,7	2,5	0,0012	23	51	17,8	59,0	2830	78,7	81,2	80,7	0,73	0,81	0,85	2,31	23	11		
1,5	2	90S	4,99	7,0	3,3	3,3	0,0021	15	33	21,5	64,0	2875	80,9	82,9	82,4	0,64	0,76	0,83	3,17	15	9		
2,2	3	90L	7,32	7,5	3,4	3,5	0,0027	12	26	24,5	64,0	2870	83,9	84,4	84,2	0,65	0,77	0,83	4,54	12	6		
3	4	112M	9,90	6,9	1,7	2,9	0,0072	30	66	41,0	64,0	2895	85,5	85,9	85,9	0,69	0,80	0,86	5,86	30	9		
4	5,5	132S	13,0	7,0	2,3	3,1	0,0234	24	53	61,0	67,0	2935	85,0	86,8	86,7	0,73	0,82	0,87	7,65	24	12		
5,5	7,5	132S	17,9	7,2	2,1	3,2	0,0252	16	35	72,0	67,0	2930	86,4	87,0	87,0	0,74	0,84	0,88	10,4	16	11		
7,5	10	132M	24,5	8,2	2,2	2,8	0,0306	10	22	84,0	67,0	2925	87,0	88,3	88,8	0,68	0,80	0,85	14,3	10	6		
11	15	160M	35,7	7,2	2,6	3,4	0,0588	12	26	123	67,0	2945	89,0	90,1	90,1	0,71	0,82	0,87	20,3	12	10		
15	20	180M	48,6	7,0	2,4	2,7	0,0973	18	40	170	67,0	2950	89,6	90,7	90,8	0,77	0,85	0,88	27,1	18	8		
18,5	25	180M	60,0	7,5	2,5	2,7	0,1135	17	37	180	67,0	2945	90,4	90,9	91,5	0,77	0,85	0,88	33,2	15	6		
22	30	200L	71,0	6,7	2,4	2,5	0,2128	34	75	265	72,0	2960	91,3	91,8	91,8	0,69	0,80	0,85	40,7	34	11		
30	40	225S/M	96,8	7,0	1,9	2,5	0,3277	13	29	422	75,0	2960	90,5	92,3	92,4	0,78	0,86	0,89	52,7	13	8		
37	50	250S/M	119	7,3	1,9	2,4	0,4415	19	42	480	75,0	2965	90,8	92,5	92,9	0,80	0,85	0,88	65,3	19	9		
45	60	280S/M	145	7,0	1,6	2,7	0,8492	27	59	660	77,0	2975	90,8	92,6	93,3	0,81	0,87	0,89	78,2	27	12		
55	75	280S/M	177	7,0	1,8	2,7	1,03	27	59	710	77,0	2975	91,2	93,1	93,6	0,81	0,87	0,89	95,3	27	9		
75	100	315S/M	240	7,0	1,5	2,5	1,51	33	73	890	77,0	2980	93,3	94,1	94,1	0,78	0,85	0,88	131	20	10		
90	125	315S/M	289	7,5	1,9	2,5	1,87	55	121	935	77,0	2976	93,1	93,6	94,1	0,78	0,85	0,87	159	20	6		
110	150	315S/M	353	7,5	1,9	3,0	1,87	29	64	975	77,0	2980	93,6	94,6	94,7	0,78	0,85	0,88	191	20	6		
132	175	315S/M	423	7,5	2,1	2,8	2,24	25	55	1080	77,0	2980	93,8	94,7	94,9	0,78	0,86	0,89	226	20	6		

IV pole - 1500 rpm - 50 Hz

0,12	0,16	63	0,840	4,2	2,1	2,3	0,0004	30	66	7,9	44,0	1370	53,2	59,2	61,0	0,52	0,62	0,73	0,389	30	20
0,18	0,25	63	1,26	4,4	2,1	1,9	0,0006	30	66	8,5	44,0	1370	61,5	63,5	66,4	0,53	0,63	0,72	0,543	30	19
0,25	0,33	71	1,69	4,8	2,2	2,3	0,0009	30	66	8,0	43,0	1410	65,7	68,7	70,2	0,52	0,63	0,72	0,714	30	20
0,37	0,5	71	2,55	4,8	2,7	2,5	0,0008	30	66	11,7	43,0	1385	69,9	71,9	74,2	0,50	0,62	0,70	1,03	30	19
0,55	0,75	80	3,70	6,6	2,6	3,0	0,0027	20	44	15,4	44,0	1420	74,5	76,5	78,3	0,61	0,74	0,80	1,27	20	20
0,75	1	80	5,05	6,5	2,8	3,0	0,0032	18	40	16,6	44,0	1420	78,1	80,1	80,6	0,59	0,72	0,81	1,66	18	18
1,1	1,5	90S	7,22	7,0	2,5	3,3	0,0055	17	37	22,1	49,0	1455	80,9	82,4	82,4	0,59	0,72	0,78	2,47	17	17
1,5	2	90L	9,88	7,4	2,6	3,0	0,0066	17	37	25,0	49,0	1450	82,2	84,2	83,7	0,58	0,72	0,80	3,23	17	17
2,2	3	100L	14,7	6,9	3,2	3,5	0,0090	18	40	31,5	53,0	1435	84,7	85,2	85,2	0,60	0,73	0,78	4,78	18	12
3	4	L100L	19,9	7,8	3,5	3,7	0,0120	15	33	37,5	53,0	1440	85,3	86,3	86,3	0,60	0,73	0,78	6,43	15	12
3,7	5	112M	24,3	7,5	2,8	3,1	0,0180	20	44	45,0	56,0	1455	95,3	95,8	96,3	0,58	0,71	0,78	7,11	15	13
4	5,5	112M	26,4	7,0	2,3	3,1	0,0180	15	33	46,6	56,0	1450	87,2	87,6	87,3	0,62	0,74	0,79	8,37	15	13
5,5	7,5	132S	36,0	7,0	2,1	3,3	0,0491	12	26	66,0	56,0	1460	87,7	88,3	88,4	0,69	0,80	0,85	10,6	14	10
7,5	10	132M	49,1	8,3	2,4	3,5	0,0563	7	15	74,0	56,0	1460	89,2	89,5	89,3	0,63	0,76	0,84	14,4	7	6
9,2	12,5	160M	59,6	7,2	2,5	2,7	0,1118	16	35	123	61,0	1475	89,0	90,4	90,3	0,66	0,77	0,83	17,7	16	14
11	15	160M	71,3	7,5	2,5	2,8	0,1191	12	26	126	61,0	1475	89,9	90,6	90,4	0,65	0,77	0,83	21,2	12	12
15	20	160L	97,2	7,2	2,9	3,1	0,1534	10	22	149	61,0	1475	90,0	90,6	90,6	0,64	0,75	0,82	29,1	12	12
18,5	25	180L	120	7,4	3,0	3,2	0,1919	13	29	186	61,0	1470	91,1	91,7	91,7	0,64	0,76	0,82	35,5	13	7
22	30	180L	143	7,3	3,4	3,4	0,2097	11	24	193	61,0	1470	91,2	91,9	92,1	0,66	0,77	0,83	41,5	11	6
30	40	200L	194	7,3	2,1	2,5	0,3469	12	26	261	65,0	1475	92,0	92,7	92,8	0,63	0,75	0,81	57,6	12	6
37	50	225S/M	239	6,9	2,1	2,6	0,6903	13	29	425	68,0	1480	92,5	93,1	93,2	0,70	0,80	0,85	67,4	13	10
45	60	225S/M	291	7,5	2,6	2,9	0,7125	14	31	430	68,0	1479	92,8	93,2	93,5	0,71	0,81	0,85	81,7	15	6
55	75	250S/M	355	7,5	2,0	2,4	1,21	31	68	571	68,0	1480	93,5	93,9	93,9	0,69	0,80	0,85	99,5	14	7
75	100	280S/M	483	7,7	2,0	2,5	2,25	30	66	786	71,0	1485	93,7	94,3	94,4	0,72	0,82	0,85	135	30	7
90	125	315S/M	577	6,4	2,1	2,2	4,12	60	132	1090	71,0	1490	93,2	93,7	94,2	0,80	0,84	0,87	159	30	10
110	150	315S/M	705	7,0	2,0	2,0	4,12	31	68	1189	71,0	1490	94,0	94,8	94,9	0,74	0,82	0,86	195	31	8
132	175	315S/M	848	7,5	2,4	2,3	4,46	62	136	1234	71,0	1488	94,4	95,0	95,1	0,74	0,82	0,86	233	29	6
150	200	355M/L	962	7,4	1,2	2,5	6,80	22	48	1480	76,0	1490	95,0	95,6	95,3	0,72	0,81	0,85	267	22	10
160	220	355M/L	1026	7,4	1,5	2,4	6,80	43	95	1500	76,0	1490	93,9	94,4	94,9	0,72	0,81	0,85	286	21	9
185	250	355M/L	1186	7,5	1,7	2,7	9,92	51	112	1750	76,0	1491	94,1	94,6	95,1	0,75	0,80	0,85	330	15	8
200	270	355M/L	1283	7,5	1,4	2,5	9,92	22	48	1800	76,0	1490	95,2	95,8	95,5	0,72	0,81	0,85	356	15	8
220	300	355M/L	1411	7,5	1,5	2,4	11,3	48	106	1900	76,0	1490	94,1	94,6	95,1	0,79	0,83	0,86	388	15	8
250	340	355M/L	1603	7,5	1,3	2,5	11,3	26	57	2000	76,0	1490	95,2	95,9	95,5	0,74	0,82	0,86	439	15	8

Note: 1) Ratings and performance according IEC 60034-1.

Ex eb IIC T1, T2, T3 Gc

Output		Frame	Full Load Torque (Nm)	Locked Rotor Current I <sub>L</sub> /I <sub>n</sub>	Locked Rotor Torque T <sub>L</sub> /T <sub>n</sub>	Break-down Torque T <sub>b</sub> /T <sub>n</sub>	Inertia J (kgm <sup>2</sup> )	Allowable locked rotor time (s)		Weight (kg)	Sound dB(A)	400 V									tE Time (s)	
								Rated speed (rpm)	% of full load						Full load current I <sub>n</sub> (A)	T1/T2	T3					
									Efficiency			Power Factor										
kW	HP							Hot	Cold			50	75	100	50	75	100					
0,12	0,16	63	1,25	3,0	1,9	1,9	0,0007	53	117	8,0	43,0	920	49,6	50,1	50,6	0,40	0,50	0,59	0,580	30	30	
0,18	0,25	71	1,87	3,2	2,1	2,1	0,0009	60	132	11,5	43,0	920	55,6	56,1	56,6	0,38	0,48	0,57	0,805	30	30	
0,25	0,33	80	2,51	4,3	2,0	2,4	0,0029	30	66	14,0	43,0	950	60,6	61,1	61,6	0,47	0,60	0,69	0,849	25	20	
0,37	0,5	80	3,82	4,3	1,9	2,1	0,0026	25	55	15,0	43,0	925	60,1	63,6	67,6	0,51	0,65	0,75	1,05	25	24	
0,55	0,75	L80	5,56	5,1	2,8	3,1	0,0037	20	44	19,1	43,0	945	66,4	71,1	73,1	0,45	0,58	0,69	1,57	20	20	
0,75	1	L90S	7,54	5,2	2,3	2,5	0,0060	31	68	25,1	45,0	950	73,4	75,9	75,9	0,49	0,62	0,71	2,01	31	17	
1,1	1,5	L90L	11,1	5,5	2,4	2,4	0,0077	20	44	28,8	45,0	945	76,4	78,5	78,1	0,50	0,64	0,73	2,78	20	17	
1,5	2	100L	15,1	5,5	2,3	2,8	0,0143	31	68	34,1	44,0	950	78,8	79,8	79,8	0,49	0,62	0,71	3,82	31	17	
2,2	3	112M	22,1	6,0	2,5	2,6	0,0257	26	57	46,0	49,0	950	80,3	81,8	81,8	0,53	0,64	0,72	5,39	26	20	
3	4	132S	29,7	5,8	1,8	2,6	0,0416	35	77	65,0	53,0	965	82,5	83,1	83,3	0,53	0,66	0,73	7,12	35	12	
3,7	5	132M	36,6	6,6	2,1	2,4	0,0492	45	99	68,0	53,0	965	83,3	83,8	84,3	0,53	0,66	0,73	8,68	25	12	
4	5,5	132M	39,6	6,1	1,9	2,7	0,0492	25	55	70,0	53,0	965	83,8	84,6	84,6	0,53	0,66	0,73	9,35	25	12	
5,5	7,5	132M/L	54,5	7,0	2,5	2,8	0,0683	26	57	86,0	53,0	965	84,5	86,0	86,0	0,50	0,64	0,70	13,2	26	11	
7,5	10	160M	73,5	6,3	2,2	2,7	0,1404	16	35	118	57,0	975	86,4	87,2	87,2	0,64	0,76	0,80	15,5	16	14	
9,2	12,5	160L	90,2	6,5	2,3	2,9	0,1756	18	40	135	57,0	975	88,7	89,3	88,7	0,64	0,75	0,81	18,5	18	12	
11	15	160L	108	7,1	2,8	2,9	0,1931	12	26	149	57,0	975	87,2	88,3	88,7	0,60	0,73	0,80	22,4	12	12	
15	20	180L	147	7,7	2,6	3,2	0,2970	14	31	185	56,0	975	89,8	89,8	89,7	0,68	0,79	0,84	28,7	14	14	
18,5	25	200L	180	6,3	2,1	2,5	0,3510	16	35	230	60,0	980	89,5	90,2	90,4	0,63	0,75	0,81	36,5	16	10	
22	30	200L	215	6,4	2,1	2,5	0,4212	15	33	251	60,0	980	89,9	90,5	90,9	0,64	0,76	0,81	43,1	15	10	
30	40	225S/M	291	7,5	1,9	2,3	0,8194	15	33	414	63,0	985	91,6	92,0	91,7	0,67	0,78	0,83	56,9	15	9	
37	50	250S/M	359	7,7	2,4	2,7	1,24	20	44	501	64,0	985	92,0	92,2	92,2	0,72	0,81	0,85	68,1	21	10	
45	60	280S/M	437	6,4	1,9	2,4	2,35	28	62	682	65,0	985	92,7	92,7	92,7	0,67	0,77	0,82	85,4	31	12	
55	75	280S/M	534	6,8	1,9	2,4	2,69	24	53	721	65,0	985	92,8	93,0	93,1	0,66	0,77	0,82	104	27	12	
75	100	280S/M	724	7,9	2,3	2,8	4,48	17	37	928	65,0	990	93,1	93,7	93,7	0,63	0,75	0,81	143	19	12	
90	125	315S/M	869	7,0	1,9	2,5	5,42	31	68	1083	67,0	990	94,0	94,4	94,0	0,68	0,78	0,83	167	31	8	
110	150	315S/M	1062	7,0	1,9	2,4	6,87	31	68	1204	67,0	990	94,4	94,6	94,3	0,70	0,80	0,83	203	31	8	
132	175	315S/M	1274	7,9	2,4	2,7	8,50	25	55	1340	67,0	990	94,4	94,8	94,6	0,67	0,77	0,82	246	25	6	
150	200	355M/L	1443	6,2	1,8	2,1	8,80	58	128	1500	73,0	993	93,7	94,2	94,7	0,63	0,74	0,79	289	29	6	
160	220	355M/L	1544	7,7	1,6	2,1	8,80	29	64	1586	73,0	990	93,9	94,6	94,8	0,63	0,74	0,79	308	29	6	
185	250	355M/L	1786	7,6	2,1	2,4	9,72	29	64	1660	73,0	990	94,1	94,8	95,0	0,62	0,72	0,77	365	29	6	
200	270	355M/L	1930	7,5	1,8	2,0	10,4	29	64	1715	73,0	990	94,6	95,1	95,0	0,66	0,76	0,80	380	29	6	
220	300	355M/L	2113	7,5	2,0	2,2	12,0	29	64	1844	73,0	995	94,5	95,1	95,0	0,63	0,74	0,79	423	29	6	

VIII pole - 750 rpm - 50 Hz

0,12	0,16	71	1,72	2,4	1,6	1,8	0,0009	48	106	11,5	41,0	665	38,8	39,3	39,8	0,35	0,43	0,50	0,870	30	20
0,18	0,25	80	2,53	3,3	1,8	2,2	0,0029	30	66	15,8	42,0	680	38,2	44,2	45,9	0,45	0,55	0,65	0,871	30	22
0,25	0,33	80	3,49	3,5	2,0	2,2	0,0032	30	66	16,6	42,0	685	39,5	46,5	50,6	0,42	0,52	0,63	1,13	30	20
0,37	0,5	90S	5,12	3,7	1,9	2,3	0,0055	30	66	22,1	44,0	690	47,8	52,8	56,1	0,41	0,53	0,62	1,54	30	21
0,55	0,75	90L	7,62	3,8	1,8	2,2	0,0069	29	64	25,4	44,0	690	53,7	58,7	61,7	0,44	0,57	0,67	1,92	29	20
0,75	1	100L	10,1	4,6	1,7	2,3	0,0127	30	66	30,5	50,0	710	63,2	66,2	66,2	0,41	0,53	0,62	2,64	30	20
1,1	1,5	100L	14,8	4,6	1,8	2,0	0,0143	30	66	33,0	50,0	710	66,1	69,1	70,8	0,41	0,53	0,62	3,62	30	20
1,5	2	112M	20,3	5,0	2,5	2,8	0,0238	28	62	43,0	46,0	705	73,2	73,7	74,1	0,45	0,59	0,68	4,30	28	18
2,2	3	132S	29,6	6,2	2,3	2,5	0,0690	27	59	69,0	48,0	710	77,0	77,5	77,6	0,51	0,65	0,72	5,68	27	18
3	4	132M	40,4	6,4	2,4	2,6	0,0838	21	46	81,0	48,0	710	79,0	80,0	80,0	0,51	0,64	0,72	7,52	21	18
3,7	5	160M	48,2	5,5	2,3	2,7	0,1229	43	95	111	51,0	733	80,4	80,9	81,4	0,44	0,58	0,67	9,79	34	18
4	5,5	160M	52,4	5,0	1,7	2,3	0,1229	34	75	114	51,0	730	80,9	81,9	81,9	0,47	0,61	0,68	10,4	34	18
5,5	7,5	160M	72,5	5,0	1,7	2,3	0,1492	28	62	123	51,0	725	82,5	83,8	83,8	0,52	0,65	0,73	13,0	28	18
7,5	10	160L	98,2	5,3	2,2	2,5	0,2199	22	48	159	51,0	730	83,8	85,1	85,3	0,52	0,65	0,73	17,4	22	18
9,2	12,5	180M	121	6,0	2,0	2,3	0,2575	16	35	173	52,0	725	86,3	86,6	86,9	0,63	0,75	0,82	18,6	16	16
11	15	180L	144	6,5	2,2	2,7	0,2846	16	35	185	52,0	730	85,9	86,4	86,9	0,55	0,68	0,76	24,0	16	16
15	20	200L	196	4,8	1,6	2,1	0,4220	34	75	251	56,0	730	87,2	87,8	88,0	0,56	0,68	0,74	33,2	34	15
18,5	25	225S/M	241	6,5	1,7	2,2	0,6849	28	62	377	56,0	735	88,1	88,6	88,6	0,63	0,75	0,81	37,2	28	15
22	30	225S/M	286	6,5	1,8	2,5	0,7523	22	48	402	56,0	735	88,6	89,1	89,1	0,63	0,75	0,81	44,0	22	15
30	40	250S/M	393	7,4	1,9	2,8	1,24	18	40	500	56,0	730	89,3	89,8	89,8	0,66	0,77	0,83	58,1	18	15
37	50	280S/M	478	6,0	1,5	2,0	2,26	32	70	673	59,0	740	89,8	90,3	90,3	0,63	0,73	0,79	74,9	32	15
45	60	280S/M	581	6,0	1,6	2,2	2,71	30	66	720	59,0	740	90,5	90,7	90,7	0,63	0,73	0,79	90,6	30	12
55	75	280S/M	710	5,8	1,7	2,1	3,16	26	57	812	59,0	740	90,5	91,0	91,0	0,60	0,71	0,77	113	26	10
75	100	315S/M	968	6,0	1,8	2,2	5,31	33	73	1025	62,0	740	91,1	91,6	91,6	0,65	0,75	0,80	148	33	10
90	125	315S/M	1162	6,0	1,9	2,2	6,22	33	73	1275	62,0	740	91,4	91,9	91,9	0,65	0,75	0,80	177	33	10
110	150	355M/L	1411	6,5	1,6	2,6	12,6	65	143	1550	70,0	745	91,3	91,8	92,3	0,60	0,70	0,76	226	31	8
132	175	355M/L	1693	6,2	1,3	2,3	12,6	31	68	1587	70,0	745	92,1	92,6	92,6	0,64	0,74	0,79	260	31	8
150	200	355M/L	1921	6,8	2,0	2,8	14,4	37	81	1680	70,0	746	91,9	92,4	92,9	0,56	0,69	0,76	307	31	8
160	220	355M/L	2052	6,4	1,3	2,3	14,4	31	68	1747	70,0	745	92,5	93,0	93,0	0,64	0,75				

## 5.2 W22Xeb - IE3 Premium Efficiency - CENELEC Design<sup>1)</sup>

Output		Frame	Full Load Torque (Nm)	Locked Rotor Current I <sub>L</sub> /I <sub>n</sub>	Locked Rotor Torque T <sub>L</sub> /T <sub>n</sub>	Break-down Torque T <sub>b</sub> /T <sub>n</sub>	Inertia J (kgm <sup>2</sup> )	Allowable locked rotor time (s)		Weight (kg)	Sound dB(A)	400 V							tE Time (s)		
								Hot	Cold			Rated speed (rpm)	% of full load			Full load current I <sub>n</sub> (A)	T1/T2	T3			
													Efficiency						Power Factor		
kW	HP												50	75	100	50	75	100			
II pole - 3000 rpm - 50 Hz																					
0,12	0,16	63	0,410	5,4	2,9	2,9	0,0001	40	88	7,2	52,0	2820	58,0	60,8	60,8	0,54	0,67	0,76	0,375	18	18
0,18	0,25	63	0,600	5,1	3,0	3,2	0,0002	24	53	8,0	52,0	2850	61,0	65,9	65,9	0,51	0,62	0,72	0,548	24	24
0,25	0,33	63	0,850	4,5	3,2	3,2	0,0002	19	42	8,0	52,0	2805	63,0	68,0	69,7	0,54	0,68	0,77	0,672	19	19
0,37	0,5	71	1,25	5,3	2,1	2,5	0,0004	24	53	10,5	56,0	2820	73,0	73,8	73,8	0,66	0,79	0,85	0,851	24	24
0,55	0,75	71	1,85	6,6	3,3	3,0	0,0005	18	40	11,5	56,0	2840	75,0	76,0	77,8	0,68	0,81	0,85	1,20	18	14
0,75	1	80	2,53	6,3	2,6	2,6	0,0009	18	40	15,8	59,0	2830	80,0	82,0	81,0	0,63	0,76	0,82	1,63	18	17
1,1	1,5	L80	3,71	7,5	2,7	3,0	0,0012	23	51	17,8	59,0	2830	81,0	83,5	83,0	0,73	0,81	0,85	2,25	23	11
1,5	2	90S	4,99	7,0	3,3	3,3	0,0020	15	33	21,5	62,0	2875	83,0	85,0	84,5	0,64	0,76	0,83	3,09	15	9
2,2	3	90L	7,32	7,5	3,4	3,5	0,0026	12	26	24,5	62,0	2870	86,0	86,5	86,3	0,65	0,77	0,83	4,43	12	6
3	4	112M	9,90	6,9	1,7	2,9	0,0072	30	66	41,0	62,0	2895	88,0	88,4	88,4	0,69	0,80	0,86	5,70	30	9
4	5,5	132S	13,0	7,0	2,3	3,1	0,0234	24	53	61,0	63,0	2935	86,9	88,7	88,6	0,73	0,82	0,87	7,49	24	13
5,5	7,5	132M	17,9	7,2	2,2	3,3	0,0252	16	35	72,0	63,0	2930	86,9	88,7	89,4	0,66	0,78	0,84	10,6	16	11
7,5	10	132M	24,5	8,2	2,2	2,8	0,0306	10	22	84,0	63,0	2925	88,5	89,8	90,3	0,68	0,80	0,85	14,1	10	6
11	15	160M	35,7	7,2	2,6	3,4	0,0588	12	26	125	67,0	2945	90,3	91,4	91,4	0,71	0,82	0,87	20,0	12	10
15	20	180M	48,6	7,0	2,4	2,7	0,0973	18	40	170	67,0	2950	90,7	91,8	91,9	0,77	0,85	0,88	26,8	18	8
18,5	25	180M	60,0	7,5	2,3	2,2	0,1135	41	90	180	67,0	2945	91,5	92,0	92,6	0,77	0,85	0,88	32,8	15	6
22	30	200L	71,0	6,7	2,4	2,5	0,2128	34	75	265	72,0	2960	92,2	92,7	92,7	0,69	0,80	0,85	40,3	34	11
30	40	225S/M	96,8	7,0	1,9	2,5	0,3277	13	29	422	74,0	2960	91,4	93,2	93,3	0,78	0,86	0,89	52,1	13	8
37	50	250S/M	119	7,3	1,9	2,4	0,4415	19	42	480	74,0	2965	91,6	93,3	93,7	0,80	0,85	0,88	64,8	19	9
45	60	280S/M	145	7,0	1,6	2,7	0,8492	27	59	660	77,0	2975	91,5	93,3	94,0	0,81	0,87	0,89	77,6	27	12
55	75	280S/M	177	7,0	1,8	2,7	1,03	27	59	710	77,0	2975	92,0	93,9	94,4	0,81	0,87	0,89	94,5	27	9
75	100	315S/M	240	7,0	1,5	2,5	1,51	33	73	890	77,0	2980	93,9	94,7	94,7	0,78	0,85	0,88	130	25	10
90	125	315S/M	289	7,5	1,9	2,5	1,87	55	121	935	77,0	2976	94,3	95,0	95,0	0,78	0,85	0,87	157	20	6
110	150	315S/M	353	7,5	1,9	3,0	1,87	29	64	975	77,0	2980	94,3	95,3	95,4	0,78	0,85	0,88	189	20	6
132	175	315S/M	423	7,5	2,1	2,8	2,24	25	55	1080	77,0	2980	94,5	95,4	95,6	0,78	0,86	0,89	224	20	6

IV pole - 1500 rpm - 50 Hz

0,12	0,16	63	0,840	4,2	2,1	2,3	0,0004	30	66	7,7	44,0	1370	57,0	63,0	64,8	0,52	0,62	0,73	0,366	30	20
0,18	0,25	63	1,25	4,4	2,1	2,0	0,0006	30	66	7,9	44,0	1380	65,0	67,0	69,9	0,53	0,63	0,72	0,516	30	19
0,25	0,33	71	1,71	4,8	2,2	2,3	0,0009	30	66	8,0	43,0	1400	69,0	72,0	73,5	0,52	0,62	0,72	0,682	30	20
0,37	0,5	71	2,55	4,8	2,7	2,5	0,0008	30	66	11,7	43,0	1385	73,0	75,0	77,3	0,50	0,62	0,70	0,987	30	19
0,55	0,75	80	3,70	6,6	2,6	3,0	0,0027	20	44	15,4	44,0	1420	77,0	79,0	80,8	0,61	0,74	0,80	1,23	20	20
0,75	1	80	5,05	6,7	2,8	3,0	0,0032	19	42	16,6	44,0	1420	80,0	82,0	82,5	0,59	0,72	0,81	1,62	19	19
1,1	1,5	90S	7,22	7,6	2,5	3,3	0,0055	17	37	22,1	49,0	1455	83,0	84,5	84,5	0,59	0,72	0,78	2,41	17	17
1,5	2	90L	9,88	7,4	2,6	3,0	0,0066	17	37	25,0	49,0	1450	84,0	86,0	85,5	0,58	0,72	0,80	3,17	17	17
2,2	3	100L	14,7	7,4	3,2	3,5	0,0090	18	40	31,5	53,0	1435	86,5	87,0	87,0	0,60	0,73	0,78	4,68	18	12
3	4	L100L	19,9	7,8	3,5	3,7	0,0120	15	33	37,5	53,0	1440	87,0	88,0	88,0	0,60	0,73	0,78	6,31	15	12
3,7	5	112M	24,3	7,5	2,8	3,1	0,0180	20	44	45,0	56,0	1455	87,0	88,0	88,4	0,58	0,71	0,78	7,75	15	14
4	5,5	112M	26,4	7,0	2,3	3,1	0,0180	15	33	46,6	56,0	1450	88,7	89,1	88,8	0,62	0,74	0,79	8,23	15	14
5,5	7,5	132S	36,0	8,3	2,1	3,3	0,0491	12	26	66,0	56,0	1460	89,0	89,6	89,7	0,69	0,80	0,85	10,4	14	10
7,5	10	132M	49,1	8,3	2,4	3,5	0,0563	7	15	74,0	56,0	1460	90,5	90,8	90,6	0,63	0,76	0,84	14,2	7	7
9,2	12,5	160M	59,6	7,2	2,5	2,7	0,1118	16	35	123	61,0	1475	90,0	91,4	91,3	0,66	0,77	0,83	17,5	16	14
11	15	160M	71,3	7,5	2,8	3,0	0,1191	22	48	126	61,0	1475	91,1	91,8	91,6	0,65	0,77	0,83	20,9	12	12
15	20	160L	97,5	7,2	2,8	2,9	0,1534	17	37	149	61,0	1470	92,0	92,3	92,3	0,67	0,78	0,83	28,3	12	12
18,5	25	180L	120	7,4	3,0	3,2	0,1919	13	29	186	61,0	1470	92,2	92,8	92,8	0,64	0,76	0,82	35,1	13	7
22	30	180L	143	7,3	3,4	3,4	0,2097	11	24	193	61,0	1470	92,3	93,0	93,2	0,66	0,77	0,83	41,0	11	6
30	40	200L	194	7,3	2,1	2,5	0,3469	12	26	261	63,0	1475	92,9	93,6	93,7	0,63	0,75	0,81	57,1	12	6
37	50	225S/M	239	6,9	2,4	2,6	0,6903	32	70	425	63,0	1478	93,4	94,0	94,1	0,70	0,80	0,85	66,8	13	12
45	60	225S/M	292	7,5	2,2	2,6	0,7125	14	31	430	63,0	1475	93,7	94,1	94,4	0,71	0,81	0,85	80,9	15	6
55	75	250S/M	355	7,5	2,0	2,4	1,21	14	31	571	64,0	1480	94,3	94,7	94,7	0,69	0,80	0,85	98,6	14	7
75	100	280S/M	483	7,7	2,0	2,5	2,25	30	66	786	69,0	1485	94,5	95,1	95,2	0,72	0,82	0,85	134	30	7
90	125	315S/M	577	6,4	2,1	2,2	4,12	60	132	1090	71,0	1490	94,7	95,0	95,2	0,80	0,84	0,87	157	30	10
110	150	315S/M	705	6,0	2,0	2,0	4,12	31	68	1189	71,0	1490	94,7	95,5	95,6	0,74	0,82	0,86	193	31	8
132	175	315S/M	846	7,5	2,1	2,1	4,46	29	64	1234	71,0	1490	95,1	95,7	95,8	0,74	0,82	0,86	231	29	6
150	200	355M/L	962	7,4	1,2	2,5	6,80	22	48	1480	74,0	1490	95,9	96,5	96,2	0,72	0,81	0,85	265	22	10
160	220	355M/L	1026	7,4	1,5	2,4	6,80	43	95	1500	74,0	1490	94,8	95,4	95,8	0,72	0,81	0,85	284	21	9
185	250	355M/L	1186	7,5	1,7	2,7	9,92	51	112	1750	74,0	1491	95,0	95,9	95,9	0,75	0,80	0,85	328	15	8
200	270	355M/L	1283	7,5	1,4	2,5	9,92	22	48	1800	74,0	1490	95,9	96,5	96,2	0,72	0,81	0,85	353	15	8
220	300	355M/L	1411	7,5	1,5	2,4	11,3	48	106	1900	74,0	1490	95,3	95,5	96,0	0,79	0,83	0,86	385	15	8
250	340	355M/L	1603	7,5	1,3	2,5	11,3	26	57	2000	74,0	1490	95,9	96,6	96,2	0,74	0,82	0,86	436	15	8

Note: 1) Ratings and performance according IEC 60034-1.

Ex eb IIC T1, T2, T3 Gc

Output		Frame	Full Load Torque (Nm)	Locked Rotor Current I <sub>L</sub> /I <sub>n</sub>	Locked Rotor Torque T <sub>L</sub> /T <sub>n</sub>	Break-down Torque T <sub>B</sub> /T <sub>n</sub>	Inertia J (kgm <sup>2</sup> )	Allowable locked rotor time (s)		Weight (kg)	Sound dB(A)	400 V						tE Time (s)			
								Hot	Cold			Rated speed (rpm)	% of full load			Full load current I <sub>n</sub> (A)	T1/T2	T3			
													Efficiency						Power Factor		
kW	HP											50	75	100	50	75	100				
0,12	0,16	63	1,25	3,0	1,9	1,9	0,0007	53	117	8,0	43,0	920	50,0	55,0	57,7	0,40	0,50	0,59	0,509	30	30
0,18	0,25	71	1,87	3,2	2,1	2,1	0,0009	60	132	11,5	43,0	920	56,0	62,0	63,9	0,38	0,48	0,57	0,713	30	30
0,25	0,33	80	2,51	4,3	2,0	2,4	0,0029	30	66	14,0	43,0	950	63,6	68,5	68,6	0,47	0,60	0,69	0,762	25	20
0,37	0,5	80	3,82	4,1	1,8	2,1	0,0026	27	59	15,0	43,0	925	66,0	69,5	73,5	0,51	0,65	0,75	0,969	27	27
0,55	0,75	L80	5,56	4,5	2,8	3,1	0,0037	21	46	19,1	43,0	945	70,5	75,2	77,2	0,45	0,58	0,69	1,49	21	21
0,75	1	L90S	7,62	5,2	2,2	2,5	0,0060	31	68	25,1	45,0	940	76,5	79,0	79,0	0,49	0,62	0,71	1,93	31	20
1,1	1,5	L90L	11,1	5,5	2,4	2,4	0,0077	20	44	28,8	45,0	945	79,3	81,4	81,0	0,50	0,64	0,73	2,69	20	17
1,5	2	100L	15,1	5,5	2,3	2,8	0,0143	31	68	34,1	44,0	950	81,5	82,5	82,5	0,49	0,62	0,71	3,70	31	18
2,2	3	112M	22,1	6,0	2,5	2,6	0,0257	26	57	46,0	49,0	950	83,0	84,5	84,5	0,53	0,64	0,72	5,22	26	22
3	4	132S	29,7	5,8	1,8	2,6	0,0416	35	77	65,0	53,0	965	85,0	85,6	85,8	0,53	0,66	0,73	6,91	35	12
3,7	5	132M	36,6	6,6	2,1	2,4	0,0492	45	99	68,0	53,0	965	86,0	86,5	86,5	0,53	0,66	0,73	8,46	25	12
4	5,5	132M	39,6	6,1	1,9	2,7	0,0492	25	55	70,0	53,0	965	86,0	86,8	86,8	0,53	0,66	0,73	9,11	25	12
5,5	7,5	132M/L	54,5	7,0	2,5	2,8	0,0683	26	57	86,0	53,0	965	86,5	88,0	88,0	0,50	0,64	0,70	12,9	26	12
7,5	10	160M	73,5	6,3	2,2	2,7	0,1404	16	35	118	57,0	975	88,5	89,3	89,3	0,64	0,76	0,80	15,2	16	14
9,2	12,5	160L	90,2	6,5	2,3	2,9	0,1756	18	40	135	57,0	975	90,0	90,6	90,0	0,64	0,75	0,81	18,2	18	13
11	15	160L	108	7,1	2,8	2,9	0,1931	12	26	149	57,0	975	89,0	90,1	90,5	0,60	0,73	0,80	21,9	12	12
15	20	180L	147	7,7	2,6	3,2	0,2970	14	31	185	56,0	975	91,5	91,5	91,4	0,68	0,79	0,84	28,2	14	14
18,5	25	200L	180	6,3	2,1	2,5	0,3510	16	35	230	60,0	980	91,0	91,7	91,9	0,63	0,75	0,81	35,9	16	10
22	30	200L	215	6,4	2,1	2,5	0,4212	15	33	251	60,0	980	91,4	92,0	92,4	0,64	0,76	0,81	42,4	15	10
30	40	225S/M	291	7,5	1,9	2,3	0,8194	15	33	414	63,0	985	93,0	93,4	93,1	0,67	0,78	0,83	56,0	15	9
37	50	250S/M	359	7,7	2,4	2,7	1,24	20	44	501	64,0	985	93,3	93,5	93,5	0,72	0,81	0,85	67,2	21	10
45	60	280S/M	437	6,4	1,9	2,4	2,35	28	62	682	65,0	985	93,9	93,9	93,9	0,67	0,77	0,82	84,4	31	13
55	75	280S/M	534	6,8	1,9	2,4	2,69	24	53	721	65,0	985	94,0	94,2	94,3	0,66	0,77	0,82	103	27	12
75	100	280S/M	724	7,9	2,3	2,8	4,48	17	37	928	65,0	990	94,1	94,7	94,7	0,63	0,75	0,81	141	19	12
90	125	315S/M	869	7,0	1,9	2,5	5,42	31	68	1083	67,0	990	95,1	95,5	95,1	0,68	0,78	0,83	165	31	8
110	150	315S/M	1062	7,0	1,9	2,4	6,87	31	68	1204	67,0	990	95,4	95,6	95,3	0,70	0,80	0,83	201	31	8
132	175	315S/M	1274	7,9	2,4	2,7	8,50	25	55	1340	67,0	990	95,4	95,8	95,6	0,67	0,77	0,82	243	25	7
150	200	355M/L	1443	6,2	1,8	2,1	8,80	58	128	1500	73,0	993	94,9	95,5	95,5	0,63	0,74	0,79	287	30	7
160	220	355M/L	1544	7,7	1,6	2,1	8,80	30	66	1586	73,0	990	94,9	95,6	95,8	0,63	0,74	0,79	305	30	7
185	250	355M/L	1786	7,6	2,1	2,4	9,72	29	64	1660	73,0	990	94,9	95,6	95,8	0,62	0,72	0,77	362	25	6
200	270	355M/L	1930	7,5	1,8	2,0	10,4	29	64	1715	73,0	990	95,5	96,0	95,9	0,66	0,76	0,80	376	29	6
220	300	355M/L	2113	7,5	2,0	2,2	12,0	29	64	1844	73,0	995	95,5	96,1	96,0	0,63	0,74	0,79	419	29	6

VIII pole - 750 rpm - 50 Hz

0,12	0,16	71	1,72	2,4	1,6	1,8	0,0009	48	106	11,5	41,0	665	44,0	48,0	50,7	0,35	0,43	0,50	0,683	30	20
0,18	0,25	80	2,53	3,3	1,8	2,2	0,0029	30	66	15,8	42,0	680	51,0	57,0	58,7	0,45	0,55	0,65	0,681	30	22
0,25	0,33	80	3,49	3,5	2,0	2,2	0,0032	30	66	16,6	42,0	685	53,0	60,0	64,1	0,42	0,52	0,63	0,894	30	20
0,37	0,5	90S	5,12	3,7	1,9	2,3	0,0055	30	66	22,1	44,0	690	61,0	66,0	69,3	0,41	0,53	0,62	1,24	30	22
0,55	0,75	90L	7,62	3,8	1,8	2,2	0,0069	29	64	25,4	44,0	690	65,0	70,0	73,0	0,44	0,57	0,67	1,62	29	20
0,75	1	100L	10,1	4,6	1,7	2,3	0,0127	30	66	30,5	50,0	710	72,5	75,5	75,5	0,41	0,53	0,62	2,31	30	22
1,1	1,5	100L	14,8	4,6	1,8	2,0	0,0143	30	66	33,0	50,0	710	73,0	76,0	77,7	0,41	0,53	0,62	3,30	30	20
1,5	2	112M	20,3	5,0	2,5	2,8	0,0238	28	62	43,0	46,0	705	79,0	79,5	79,9	0,45	0,59	0,68	3,98	28	20
2,2	3	132S	29,6	6,2	2,3	2,5	0,0690	27	59	69,0	48,0	710	81,5	82,0	82,1	0,51	0,65	0,72	5,37	27	18
3	4	132M	40,4	6,4	2,4	2,6	0,0838	21	46	81,0	48,0	710	82,5	83,5	83,5	0,51	0,64	0,72	7,20	21	18
3,7	5	160M	48,2	5,5	2,3	2,7	0,1229	43	95	111	51,0	733	84,0	84,5	84,5	0,44	0,58	0,67	9,43	34	20
4	5,5	160M	52,4	5,0	1,7	2,3	0,1229	34	75	114	51,0	730	85,0	86,0	86,0	0,47	0,61	0,68	9,87	34	20
5,5	7,5	160M	72,5	5,0	1,7	2,3	0,1492	28	62	123	51,0	725	86,0	87,3	87,3	0,52	0,65	0,73	12,5	28	20
7,5	10	160L	98,2	5,3	2,2	2,5	0,2199	22	48	159	51,0	730	87,0	88,3	88,5	0,52	0,65	0,73	16,8	22	20
9,2	12,5	180M	121	6,0	2,0	2,3	0,2575	18	40	173	52,0	725	89,0	89,3	89,6	0,63	0,75	0,82	18,1	18	18
11	15	180L	144	6,5	2,2	2,7	0,2846	18	40	185	52,0	730	88,7	89,2	89,7	0,55	0,68	0,76	23,3	18	18
15	20	200L	196	4,8	1,6	2,1	0,4220	34	75	251	56,0	730	89,0	89,6	89,8	0,56	0,68	0,74	32,6	34	17
18,5	25	225S/M	241	6,5	1,7	2,2	0,6849	28	62	377	56,0	735	89,8	90,3	90,3	0,63	0,75	0,81	36,5	28	17
22	30	225S/M	286	6,5	1,8	2,5	0,7523	22	48	402	56,0	735	90,3	90,8	90,8	0,63	0,75	0,81	43,2	22	16
30	40	250S/M	393	7,4	1,9	2,8	1,24	18	40	510	56,0	730	91,0	91,5	91,5	0,66	0,77	0,83	57,0	18	17
37	50	280S/M	478	6,0	1,5	2,0	2,26	32	70	673	59,0	740	91,5	92,0	92,0	0,63	0,73	0,79	73,5	32	15
45	60	280S/M	581	6,0	1,6	2,2	2,71	30	66	720	59,0	740	92,2	92,4	92,4	0,63	0,73	0,79	89,0	30	12
55	75	280S/M	710	5,8	1,7	2,1	3,16	26	57	812	59,0	740	92,2	92,7	92,7	0,60	0,71	0,77	111	26	10
75	100	315S/M	968	6,0	1,8	2,2	5,31	33	73	1025	62,0	740	92,8	93,3	93,3	0,65	0,75	0,80	145	33	10
90	125	315S/M	1162	6,0	1,9	2,2	6,22	33	73	1275	62,0	740	93,1	93,6	93,6	0,65	0,75	0,80	173	33	10
110	150	355M/L	1411	6,5	1,6	2,6	12,6	65	143	1550	70,0	745	93,0	93,7	93,7	0,60	0,70	0,76	223	31	8
132	175	355M/L	1693	6,2	1,3	2,3	12,6	31	68	1587	70,0	745	93,7	94,2	94,2	0,64	0,74	0,79	256	31	8
150	200	355M/L	1921	6,8	2,0	2,8	14,4	37	81	1680	70,0	746	93,5	94,2	94,2	0,56	0,69	0,76	302	31	8
160	220	355M/L	2052	6,4	1,3	2,3	14,4	31	68	1747	70,0	745	94,0	94,5	94,5	0,64	0,75	0,80	305	31	8
200	270	355M/L	2565	6,2	1,3	2,3	18,9	31	68	2027	70,0	745	94,3	94,8	94,8						

### 5.3 W22Xeb - IE2 High Efficiency - VIK Design<sup>1)</sup>

Output		Frame	Full Load Torque (Nm)	Locked Rotor Current I <sub>L</sub> /I <sub>n</sub>	Locked Rotor Torque T <sub>L</sub> /T <sub>n</sub>	Break-down Torque T <sub>b</sub> /T <sub>n</sub>	Inertia J (kgm <sup>2</sup> )	Allowable locked rotor time (s)		Weight (kg)	Sound dB(A)	400 V									tE Time (s)	
								Rated speed (rpm)	% of full load			Full load current I <sub>n</sub> (A)	T1/T2	T3								
									Efficiency						Power Factor							
kW	HP							Hot	Cold			50	75	100	50	75	100					
II pole - 3000 rpm - 50 Hz																						
0,18	0,25	63	0,610	5,0	2,3	2,6	0,0002	22	48	7,5	52,0	2840	59,5	60,0	60,4	0,57	0,71	0,80	0,538	22	22	
0,25	0,33	63	0,860	4,5	2,0	2,1	0,0002	17	37	7,9	52,0	2780	61,0	64,8	64,8	0,60	0,75	0,84	0,663	17	17	
0,37	0,5	71	1,24	5,3	2,1	2,5	0,0004	22	48	10,7	56,0	2850	72,0	72,8	72,8	0,66	0,79	0,85	0,863	22	22	
0,55	0,75	71	1,84	6,6	3,5	3,7	0,0005	20	44	11,4	56,0	2850	74,5	75,5	75,5	0,70	0,81	0,85	1,24	19	12	
0,75	1	80	2,52	6,1	2,4	2,9	0,0009	18	40	13,4	59,0	2845	76,8	77,4	77,4	0,69	0,81	0,87	1,61	16	14	
1,1	1,5	L80	3,68	6,2	2,9	2,9	0,0012	25	55	17,8	59,0	2855	79,0	79,6	79,6	0,75	0,85	0,88	2,27	22	11	
1,3	1,77	90S	4,31	6,5	2,1	2,9	0,0021	12	26	18,5	64,0	2880	79,9	80,5	80,5	0,67	0,79	0,85	2,74	12	12	
1,85	2,51	90L	6,16	6,5	2,2	2,2	0,0026	14	31	24,1	64,0	2870	81,7	82,3	82,3	0,70	0,81	0,87	3,73	14	11	
2,5	3,4	100L	8,19	8,6	2,1	3,5	0,0064	9	20	31,5	67,0	2915	82,0	83,8	83,8	0,69	0,81	0,87	4,95	9	9	
3,3	4,5	112M	10,9	6,9	1,8	2,8	0,0094	15	33	43,0	64,0	2885	84,4	85,0	85,0	0,77	0,86	0,89	6,30	13	10	
4,6	6,25	132S	15,0	7,0	1,9	3,0	0,0198	14	31	66,0	67,0	2925	85,8	86,4	86,4	0,73	0,83	0,88	8,73	13	12	
5,5	7,5	132S	17,9	7,2	2,1	3,2	0,0234	15	33	70,0	67,0	2930	86,4	87,0	87,0	0,74	0,84	0,88	10,4	13	11	
6,5	8,8	132M	21,2	7,5	2,1	2,9	0,0288	11	24	79,0	67,0	2930	87,0	87,6	87,6	0,77	0,86	0,89	12,0	10	8	
7,5	10	160M	24,4	7,3	2,1	3,2	0,0425	26	57	107	67,0	2940	87,5	88,1	88,1	0,74	0,83	0,87	14,1	23	17	
10	13,5	160M	32,5	7,2	2,1	3,2	0,0591	26	57	123	67,0	2940	88,5	89,1	89,1	0,79	0,86	0,88	18,4	23	12	
12,5	17	160L	40,7	7,3	2,2	3,2	0,0625	17	37	131	67,0	2935	89,2	89,8	89,8	0,77	0,85	0,88	22,8	15	10	
15	20	180M	48,7	6,7	1,7	2,6	0,0867	19	42	156	67,0	2945	89,7	90,3	90,3	0,78	0,86	0,88	27,2	17	10	
20	27	200L	64,6	6,7	2,6	2,6	0,1625	30	66	224	72,0	2960	90,5	91,1	91,1	0,79	0,86	0,88	36,0	28	11	
24	33	200L	77,6	6,7	2,2	2,4	0,1710	23	51	230	72,0	2955	90,9	91,5	91,5	0,81	0,86	0,88	43,0	20	10	
28	38	225S/M	90,4	7,0	1,7	2,3	0,2991	31	68	407	75,0	2960	91,3	91,9	91,9	0,84	0,89	0,89	49,4	27	10	
36	49	250S/M	116	7,3	2,1	2,6	0,3736	32	70	463	75,0	2965	91,8	92,4	92,4	0,82	0,88	0,89	63,2	29	9	
47	64	280S/M	151	6,5	1,7	2,6	0,8492	35	77	656	77,0	2975	92,1	93,0	93,0	0,82	0,87	0,88	82,9	35	12	
58	79	280S/M	186	6,7	1,5	2,6	1,03	33	73	708	77,0	2975	93,1	93,3	93,3	0,84	0,89	0,89	101	33	10	
68	92,4	315S/M	218	7,3	1,4	2,4	1,44	34	75	917	77,0	2980	93,0	93,6	93,6	0,80	0,86	0,88	119	34	11	
80	109	315S/M	257	6,8	1,5	2,4	1,50	33	73	932	77,0	2975	93,6	93,9	93,9	0,78	0,85	0,88	140	33	10	
IV pole - 1500 rpm - 50 Hz																						
0,12	0,16	63	0,810	4,2	1,7	2,0	0,0007	42	92	7,9	44,0	1420	57,0	59,1	59,1	0,49	0,62	0,72	0,407	40	20	
0,18	0,25	63	1,23	4,4	2,3	2,2	0,0006	35	77	8,3	44,0	1400	61,0	64,7	64,7	0,48	0,61	0,71	0,566	33	19	
0,25	0,33	71	1,71	4,2	1,7	1,8	0,0008	43	95	12,0	43,0	1400	67,0	68,5	68,5	0,54	0,67	0,75	0,702	40	20	
0,37	0,5	71	2,54	4,5	2,3	2,2	0,0008	42	92	11,7	43,0	1390	75,5	76,1	76,1	0,55	0,68	0,75	0,936	42	19	
0,55	0,75	80	3,70	5,9	2,2	2,4	0,0029	20	44	15,8	44,0	1420	77,5	78,1	78,1	0,63	0,77	0,83	1,22	20	20	
0,75	1	80	5,03	6,5	2,7	2,8	0,0037	18	40	17,8	44,0	1425	79,0	79,6	79,6	0,63	0,76	0,83	1,64	18	18	
1	1,36	90S	6,61	6,4	2,0	2,5	0,0049	20	44	21,2	49,0	1445	80,4	81,0	81,0	0,60	0,73	0,81	2,20	20	20	
1,35	1,83	90L	8,96	6,2	2,1	2,6	0,0055	17	37	23,2	49,0	1440	81,7	82,3	82,3	0,58	0,72	0,80	2,96	17	17	
2	2,72	100L	13,3	6,6	2,5	2,8	0,0104	14	31	34,5	53,0	1440	83,3	83,9	83,9	0,59	0,72	0,78	4,41	14	14	
2,5	3,4	100L	16,7	6,9	3,5	3,5	0,0104	19	42	35,4	53,0	1430	84,2	84,8	84,8	0,59	0,72	0,78	5,46	17	12	
3,6	4,9	112M	23,8	6,3	1,9	2,7	0,0156	17	37	43,3	56,0	1445	85,6	86,2	86,2	0,64	0,76	0,82	7,35	15	14	
5	6,8	132S	32,7	6,9	1,4	2,8	0,0528	11	24	72,0	56,0	1460	86,1	86,9	87,3	0,72	0,82	0,87	9,50	11	11	
6,8	9,24	132M	44,7	7,0	1,8	2,9	0,0528	11	24	76,0	56,0	1455	87,7	88,3	88,3	0,74	0,84	0,88	12,6	11	10	
10	13,5	160M	65,0	6,3	2,5	2,9	0,1191	20	44	126	61,0	1470	89,4	89,5	89,5	0,68	0,79	0,84	19,2	18	14	
13,5	18,3	160L	87,8	6,4	2,4	2,7	0,1534	14	31	149	61,0	1470	89,8	90,4	90,4	0,68	0,79	0,84	25,7	13	11	
15	20	180M	97,8	6,6	2,6	2,8	0,1744	24	53	173	61,0	1465	90,0	90,6	90,6	0,72	0,81	0,85	28,1	21	11	
17,5	23,8	180L	114	6,6	2,3	2,5	0,1744	15	33	178	61,0	1465	90,7	91,0	91,0	0,72	0,81	0,85	32,7	13	10	
24	33	200L	155	6,2	2,1	2,4	0,2906	20	44	240	65,0	1475	91,2	91,8	91,8	0,65	0,77	0,82	46,0	18	12	
30	40	225S/M	194	7,3	2,1	2,5	0,5424	24	53	400	68,0	1480	91,7	92,3	92,3	0,75	0,83	0,87	53,9	21	12	
36	49	225S/M	233	6,9	1,9	2,2	0,6656	20	44	436	68,0	1475	92,1	92,7	92,7	0,79	0,86	0,88	63,7	18	12	
44	59,8	250S/M	285	6,4	1,9	2,5	1,11	27	59	548	68,0	1475	92,5	93,1	93,1	0,77	0,85	0,87	78,4	23	11	
58	79	280S/M	373	7,3	1,8	2,7	1,64	32	70	682	71,0	1485	93,0	93,6	93,6	0,78	0,85	0,87	103	31	9	
70	95	280S/M	450	7,0	1,8	2,5	2,19	33	73	773	71,0	1485	93,3	93,9	93,9	0,81	0,86	0,88	122	33	10	
84	114	315S/M	539	6,9	2,0	2,3	2,89	33	73	1023	71,0	1490	93,5	94,1	94,1	0,77	0,84	0,87	148	33	10	
100	136	315S/M	641	7,1	2,3	2,3	4,12	38	84	1189	71,0	1490	93,8	94,4	94,4	0,79	0,86	0,88	174	38	15	

Note: 1) Ratings and performance according DIN 42673-2 defined in VIK Recommendation No. VE 1.

**Ex eb IIC T1, T2, T3 Gc**

Output		Frame	Full Load Torque (Nm)	Locked Rotor Current I <sub>L</sub> /I <sub>n</sub>	Locked Rotor Torque T <sub>L</sub> /T <sub>n</sub>	Break-down Torque T <sub>b</sub> /T <sub>n</sub>	Inertia J (kgm <sup>2</sup> )	Allowable locked rotor time (s)		Weight (kg)	Sound dB(A)	400 V									tE Time (s)	
												Rated speed (rpm)	% of full load			Full load current I <sub>n</sub> (A)	T1/T2	T3				
													Efficiency						Power Factor			
kW	HP							Hot	Cold				50	75	100	50	75	100				
VI pole - 1000 rpm - 50 Hz																						
0,25	0,33	71	2,65	3,1	2,0	1,8	0,0009	53	117	12,2	43,0	900	60,6	61,6	61,6	0,36	0,48	0,57	1,03	53	30	
0,37	0,5	80	3,80	4,3	1,9	2,1	0,0030	32	70	16,2	43,0	930	70,8	71,4	71,4	0,50	0,65	0,75	0,997	29	24	
0,55	0,75	80	5,65	4,6	2,3	2,2	0,0037	21	46	17,8	43,0	930	71,9	74,0	74,0	0,49	0,63	0,73	1,47	21	20	
0,65	0,9	90L	6,54	4,9	1,8	2,1	0,0052	29	64	22,7	45,0	950	74,4	75,0	75,1	0,52	0,66	0,74	1,69	26	19	
0,95	1,3	L90L	9,66	5,3	2,1	2,2	0,0066	23	51	27,0	45,0	940	76,7	77,3	77,3	0,52	0,66	0,75	2,37	21	17	
1,3	1,77	100L	13,2	4,9	1,9	2,1	0,0110	28	62	30,0	44,0	940	78,4	79,0	79,0	0,54	0,67	0,75	3,17	25	22	
1,9	2,6	112M	18,7	7,3	3,5	4,0	0,0257	22	48	46,6	49,0	970	80,5	81,1	81,1	0,43	0,56	0,65	5,20	22	22	
2,6	3,5	132S	25,9	5,4	1,6	2,1	0,0360	43	95	59,0	53,0	960	82,0	82,6	82,6	0,54	0,67	0,74	6,14	39	22	
3,5	4,8	132M	34,8	5,6	1,7	2,2	0,0454	34	75	69,0	53,0	960	83,4	84,0	84,0	0,56	0,68	0,75	8,02	31	20	
4,8	6,5	132M/L	47,5	6,0	1,8	2,4	0,0606	30	66	81,0	53,0	965	84,8	85,4	85,4	0,56	0,68	0,75	10,8	27	19	
6,6	9	160M	65,0	6,0	2,0	2,3	0,1229	22	48	116	57,0	970	86,1	86,7	86,7	0,64	0,76	0,81	13,6	22	22	
9,7	13	160L	95,6	5,8	2,0	2,3	0,1664	19	42	138	57,0	970	87,6	88,2	88,2	0,65	0,77	0,81	19,6	19	19	
13,2	17,9	180L	129	8,2	2,6	3,5	0,2970	17	37	186	56,0	975	88,7	89,3	89,3	0,70	0,81	0,85	25,1	17	17	
16,5	22	200L	161	5,8	1,8	2,2	0,3341	21	46	224	60,0	980	89,4	90,0	90,0	0,68	0,79	0,83	31,9	18	17	
20	27	200L	195	5,8	2,0	2,6	0,4037	18	40	246	60,0	980	90,0	90,6	90,6	0,66	0,77	0,83	38,4	16	12	
27	37	225S/M	262	6,6	2,0	2,2	0,8876	24	53	429	63,0	985	90,8	91,4	91,4	0,74	0,83	0,86	49,6	21	14	
33	45	250S/M	322	6,1	1,9	2,0	1,29	29	64	509	64,0	980	91,4	92,0	92,0	0,78	0,85	0,87	59,5	25	14	
40	54	280S/M	386	6,0	1,8	2,2	2,13	32	70	656	65,0	990	91,8	92,4	92,4	0,69	0,79	0,83	75,3	30	13	
46	63	280S/M	444	6,1	1,8	2,3	2,36	29	64	682	65,0	990	92,1	92,7	92,7	0,69	0,79	0,83	86,3	26	12	
64	87	315S/M	618	5,9	1,7	2,1	4,18	37	81	978	67,0	990	92,8	93,4	93,4	0,70	0,80	0,83	119	37	14	
76	103	315S/M	734	5,4	1,5	1,8	4,54	36	79	1008	67,0	990	93,1	93,7	93,7	0,74	0,82	0,84	139	36	13	
VIII pole - 750 rpm - 50 Hz VIII Poles																						
0,65	0,9	100L	8,69	4,2	1,7	2,0	0,0110	45	99	30,0	50,0	715	70,2	70,8	70,8	0,40	0,52	0,61	2,17	45	22	
0,95	1,3	100L	12,8	4,2	1,8	1,9	0,0127	40	88	32,0	50,0	710	73,0	73,6	73,6	0,41	0,53	0,62	3,00	38	20	
1,3	1,77	112M	17,5	4,9	2,5	2,5	0,0202	38	84	41,7	46,0	710	75,3	75,9	75,9	0,46	0,60	0,68	3,64	37	20	
1,9	2,6	132S	25,6	5,0	1,8	2,0	0,0592	38	84	65,0	48,0	710	77,8	78,4	78,4	0,54	0,67	0,74	4,73	34	20	
3,5	4,8	160M	45,8	4,6	1,5	2,0	0,1053	38	84	109	51,0	730	81,5	82,1	82,1	0,52	0,65	0,73	8,43	34	22	
4,8	6,5	160M	63,3	4,6	1,5	1,9	0,1404	30	66	123	51,0	725	83,2	83,8	83,8	0,54	0,67	0,74	11,2	27	21	
6,6	9	160L	87,0	4,8	1,7	2,1	0,1756	25	55	142	51,0	725	84,8	85,4	85,4	0,52	0,66	0,73	15,3	23	20	
9,7	13	180L	128	5,6	1,7	2,0	0,2439	17	37	169	52,0	725	86,6	87,2	87,2	0,67	0,78	0,82	19,6	17	17	
13,2	17,9	200L	173	4,5	1,5	1,9	0,3868	33	73	240	56,0	730	87,8	88,4	88,4	0,56	0,68	0,74	29,1	30	20	
16,5	22	225S/M	215	6,7	1,7	2,9	0,6517	27	59	379	56,0	735	88,7	89,3	89,3	0,64	0,75	0,81	32,9	26	20	
20	27	225S/M	260	6,8	1,8	2,9	0,7203	22	48	393	56,0	735	89,4	90,0	90,0	0,64	0,75	0,81	39,6	20	18	
27	37	250S/M	353	7,0	1,8	2,6	1,16	21	46	486	56,0	730	90,4	91,0	91,0	0,70	0,80	0,84	51,0	18	15	
33	45	280S/M	426	5,1	1,3	1,7	2,03	40	88	644	59,0	740	91,0	91,6	91,6	0,65	0,75	0,79	65,8	35	18	
40	54	280S/M	516	5,2	1,4	2,0	2,48	35	77	695	59,0	740	91,5	92,1	92,1	0,68	0,77	0,80	78,4	31	17	
50	68	315S/M	646	5,3	1,3	1,7	5,13	37	81	1053	62,0	740	92,1	92,7	92,7	0,72	0,80	0,82	94,9	37	14	
68	92,4	315S/M	878	5,8	1,5	1,8	5,67	36	79	1098	62,0	740	92,8	93,4	93,4	0,72	0,80	0,82	128	35	13	

Note: 1) Ratings and performance according DIN 42673-2 defined in VIK Recommendation No. VE 1.

### 5.4 W22Xeb - IE3 Premium Efficiency - VIK Design<sup>1)</sup>

Output		Frame	Full Load Torque (Nm)	Locked Rotor Current I/In	Locked Rotor Torque TI/Tn	Break-down Torque Tb/Tn	Inertia J (kgm <sup>2</sup> )	Allowable locked rotor time (s)		Weight (kg)	Sound dB(A)	400 V									tE Time (s)	
								Rated speed (rpm)	% of full load			Full load current In (A)	T1/T2	T3								
									Efficiency						Power Factor							
kW	HP							Hot	Cold	50			75			100						
II pole - 3000 rpm - 50 Hz																						
0,18	0,25	63	0,610	5,1	2,3	2,9	0,0002	24	53	7,5	52,0	2840	59,4	64,6	65,9	0,57	0,71	0,80	0,493	24	24	
0,25	0,33	63	0,860	4,5	2,0	2,1	0,0002	19	42	7,9	52,0	2780	66,3	69,2	69,7	0,60	0,75	0,84	0,616	19	19	
0,37	0,5	71	1,24	5,3	2,1	2,5	0,0004	24	53	10,7	56,0	2850	69,2	72,6	73,8	0,66	0,79	0,85	0,851	24	24	
0,55	0,75	71	1,84	6,6	3,5	3,7	0,0005	19	42	11,4	56,0	2850	77,2	77,8	77,8	0,70	0,81	0,85	1,20	19	14	
0,75	1	80	2,52	6,3	2,4	2,9	0,0009	18	40	13,4	59,0	2845	80,6	80,7	80,7	0,69	0,81	0,87	1,54	18	17	
1,1	1,5	L80	3,68	7,5	2,9	2,9	0,0012	22	48	17,8	59,0	2855	82,1	82,7	82,7	0,75	0,85	0,88	2,18	22	11	
1,3	1,77	90L	4,34	7,5	2,9	3,2	0,0026	27	59	24,1	62,0	2865	82,9	83,5	83,5	0,75	0,84	0,87	2,58	27	14	
1,85	2,51	90L	6,16	7,5	3,1	3,1	0,0026	14	31	24,1	62,0	2870	84,5	85,1	85,1	0,73	0,83	0,87	3,61	14	11	
2,5	3,4	100L	8,19	8,6	2,1	3,5	0,0064	10	22	31,5	67,0	2915	82,0	84,2	86,4	0,69	0,81	0,87	4,80	10	9	
3,3	4,5	112M	10,9	6,9	1,6	2,9	0,0087	24	53	43,3	62,0	2895	86,8	87,4	87,4	0,79	0,87	0,89	6,12	24	10	
4,6	6,25	132S	15,1	7,0	2,0	3,1	0,0180	28	62	60,0	63,0	2920	88,1	88,6	88,6	0,74	0,84	0,88	8,52	28	13	
5,5	7,5	132S	17,9	7,2	2,1	3,2	0,0234	13	29	70,0	63,0	2930	88,0	89,1	89,2	0,74	0,84	0,88	10,1	13	11	
6,6	9	132M	21,5	7,5	2,1	2,9	0,0288	10	22	78,0	63,0	2930	89,0	89,7	89,7	0,77	0,86	0,89	11,9	10	8	
7,5	10	160M	24,4	7,3	2,1	3,2	0,0425	23	51	107	67,0	2940	88,5	90,0	90,1	0,74	0,83	0,87	13,8	23	18	
10	13,5	160M	32,5	7,2	2,1	3,2	0,0591	23	51	123	67,0	2940	90,6	90,9	90,9	0,79	0,86	0,88	18,0	23	13	
12,5	17	160L	40,7	7,3	2,2	3,2	0,0625	15	33	131	67,0	2935	91,2	91,5	91,5	0,77	0,85	0,88	22,4	15	10	
15	20	180M	48,7	6,7	1,7	2,6	0,0867	17	37	156	67,0	2945	91,6	91,9	91,9	0,78	0,86	0,88	26,8	17	10	
20	27,2	200L	64,6	6,7	2,1	2,3	0,1625	28	62	224	72,0	2960	91,9	92,5	92,5	0,79	0,86	0,88	35,5	28	11	
24	33	200L	77,7	6,7	2,0	2,0	0,2128	23	51	256	72,0	2950	92,3	92,9	92,9	0,85	0,88	0,89	41,9	23	10	
28	38	225S/M	90,4	7,0	1,7	2,3	0,2991	27	59	407	74,0	2960	92,3	93,2	93,2	0,84	0,88	0,89	48,7	27	10	
36	49	250S/M	116	7,3	2,1	2,5	0,4415	32	70	494	74,0	2965	92,9	93,7	93,7	0,84	0,88	0,89	62,3	32	9	
47	64	280S/M	151	6,5	1,4	2,6	0,8492	35	77	656	77,0	2975	92,1	93,6	94,1	0,82	0,87	0,88	81,9	35	12	
58	79	280S/M	186	6,7	1,5	2,6	1,03	33	73	708	77,0	2975	93,1	94,3	94,4	0,84	0,89	0,89	99,6	33	10	
68	92,4	315S/M	218	7,3	1,4	2,4	1,44	34	75	917	77,0	2980	93,0	94,4	94,6	0,80	0,86	0,88	118	34	11	
80	109	315S/M	257	6,8	1,5	2,4	1,50	33	73	932	77,0	2975	93,6	94,8	94,8	0,78	0,85	0,88	138	33	10	
IV pole - 1500 rpm - 50 Hz																						
0,12	0,16	63	0,820	4,2	1,7	2,0	0,0007	40	88	7,9	44,0	1400	63,1	65,0	64,8	0,49	0,62	0,72	0,371	40	20	
0,18	0,25	63	1,23	4,4	2,3	2,2	0,0006	33	73	8,3	44,0	1400	61,5	66,0	69,9	0,48	0,61	0,71	0,523	33	19	
0,25	0,33	71	1,69	4,8	2,2	2,5	0,0009	43	95	11,0	43,0	1410	70,5	73,3	73,5	0,49	0,63	0,71	0,691	43	20	
0,37	0,5	71	2,54	4,8	2,3	2,2	0,0008	42	92	11,7	43,0	1390	74,5	76,4	77,3	0,55	0,68	0,75	0,921	42	19	
0,55	0,75	80	3,70	6,6	2,2	2,4	0,0029	20	44	15,8	44,0	1420	80,2	80,8	80,8	0,63	0,77	0,83	1,18	20	20	
0,75	1	80	5,03	6,7	2,7	2,8	0,0037	22	48	17,8	44,0	1425	82,4	82,5	82,5	0,63	0,76	0,83	1,58	22	22	
1	1,36	90S	6,57	7,6	2,5	3,2	0,0055	23	51	23,2	49,0	1455	82,2	83,7	83,7	0,56	0,69	0,78	2,21	23	23	
1,35	1,83	90L	8,90	7,4	2,5	3,1	0,0066	19	42	22,1	49,0	1450	84,7	84,9	84,9	0,57	0,71	0,79	2,91	19	19	
2	2,72	100L	13,3	7,4	3,4	3,7	0,0090	21	46	32,7	53,0	1435	85,7	86,3	86,3	0,60	0,73	0,78	4,29	21	15	
2,5	3,4	100L	16,7	7,8	3,5	3,5	0,0104	17	37	35,4	53,0	1430	86,5	87,1	87,1	0,59	0,72	0,78	5,31	17	14	
3,6	4,9	112M	23,9	6,3	1,8	2,7	0,0180	17	37	46,6	56,0	1440	87,3	87,9	88,3	0,63	0,75	0,81	7,27	17	15	
5	6,8	132S	32,7	6,9	1,8	2,9	0,0489	17	37	68,0	56,0	1460	88,2	89,0	89,3	0,73	0,83	0,87	9,29	17	11	
6,8	9,24	132M	44,3	8,3	2,2	3,4	0,0563	12	26	76,0	56,0	1465	89,8	90,2	90,2	0,65	0,77	0,84	13,0	12	10	
10	13,5	160M	65,0	7,5	2,5	2,9	0,1191	18	40	126	61,0	1470	89,4	90,7	91,2	0,68	0,79	0,84	18,8	18	14	
13,5	18,3	160L	87,8	7,2	2,4	2,7	0,1534	13	29	149	61,0	1470	90,7	91,5	91,9	0,68	0,79	0,84	25,2	13	12	
15	20	180M	97,8	6,6	2,3	2,6	0,1744	21	46	173	61,0	1465	90,6	91,5	92,1	0,72	0,81	0,85	27,7	21	12	
17,5	23,8	180L	114	6,6	2,4	2,6	0,1919	17	37	186	61,0	1470	91,0	91,8	92,5	0,71	0,81	0,85	32,1	17	10	
24	33	200L	155	6,2	2,1	2,4	0,2906	18	40	240	63,0	1475	92,5	93,1	93,1	0,65	0,77	0,82	45,4	18	12	
30	40	225S/M	194	7,3	2,1	2,5	0,5424	21	46	400	63,0	1480	92,4	93,3	93,6	0,75	0,83	0,87	53,2	21	12	
36	49	225S/M	233	6,9	1,9	2,2	0,6656	18	40	436	63,0	1475	93,0	93,4	93,9	0,79	0,86	0,88	62,9	18	12	
44	59,8	250S/M	284	6,4	2,1	2,5	1,11	23	51	548	64,0	1478	93,6	94,2	94,2	0,77	0,85	0,87	77,5	23	11	
58	79	280S/M	373	7,3	1,8	2,7	1,64	31	68	682	69,0	1485	93,7	94,4	94,6	0,78	0,85	0,87	102	31	9	
70	95	280S/M	450	7,0	1,8	2,5	2,19	33	73	773	69,0	1485	94,5	94,9	94,9	0,81	0,86	0,88	121	33	10	
84	114	315S/M	539	6,9	2,0	2,3	2,89	33	73	1023	71,0	1490	94,6	95,1	95,1	0,77	0,84	0,87	147	33	10	
100	136	315S/M	641	4,9	2,3	2,3	4,12	38	84	1189	71,0	1490	94,7	95,3	95,3	0,79	0,86	0,88	172	38	15	

Note: 1) Ratings and performance according DIN 42673-2 defined in VIK Recommendation No. VE 1.

**Ex eb IIC T1, T2, T3 Gc**

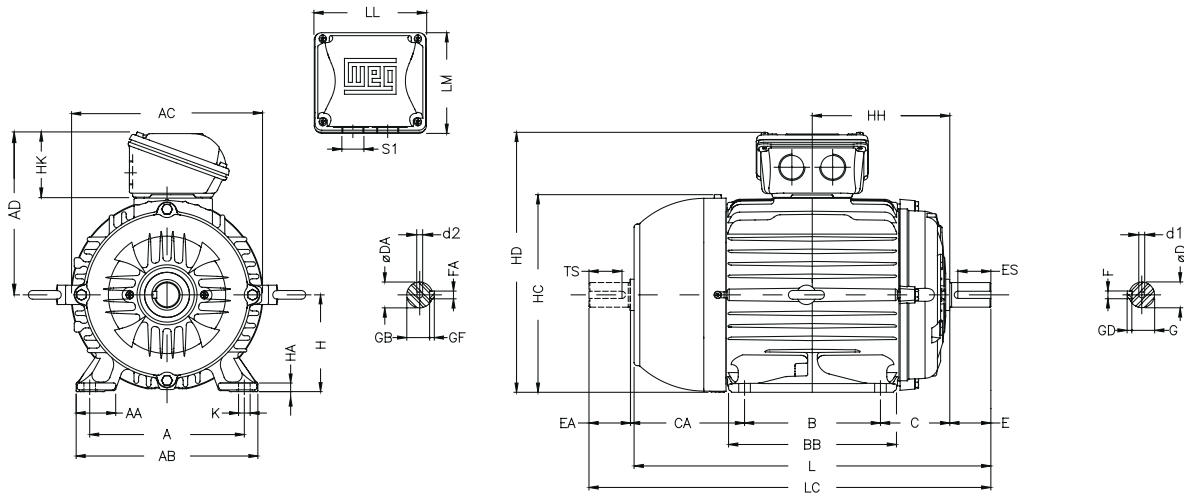
Output		Frame	Full Load Torque (Nm)	Locked Rotor Current I <sub>L</sub> /I <sub>n</sub>	Locked Rotor Torque T <sub>L</sub> /T <sub>n</sub>	Break-down Torque T <sub>b</sub> /T <sub>n</sub>	Inertia J (kgm <sup>2</sup> )	Allowable locked rotor time (s)		Weight (kg)	Sound dB(A)	400 V									tE Time (s)	
								Rated speed (rpm)	% of full load			Full load current I <sub>n</sub> (A)	T1/T2	T3								
									Efficiency						Power Factor							
kW	HP							Hot	Cold				50	75	100	50	75	100				
VI pole - 1000 rpm - 50 Hz																						
0,37	0,5	80	3,80	4,1	1,9	2,1	0,0030	29	64	16,2	43,0	930	70,9	73,5	73,5	0,50	0,65	0,75	0,969	29	27	
0,55	0,75	80	5,65	4,5	2,3	2,2	0,0037	22	48	17,8	43,0	930	71,9	75,2	77,2	0,49	0,63	0,73	1,41	22	22	
0,65	0,9	90L	6,54	5,2	2,0	2,6	0,0060	35	77	24,1	45,0	950	76,2	78,3	78,3	0,51	0,65	0,73	1,64	35	22	
0,95	1,3	L90L	9,66	5,2	2,0	2,1	0,0077	26	57	28,8	45,0	940	79,6	80,2	80,2	0,56	0,69	0,76	2,25	26	20	
1,3	1,77	100L	13,0	5,5	2,2	2,5	0,0143	41	90	34,1	44,0	955	81,2	81,8	81,8	0,51	0,64	0,73	3,14	41	24	
1,9	2,6	112M	18,7	6,0	3,5	4,0	0,0257	24	53	46,6	49,0	970	82,9	83,6	83,6	0,43	0,56	0,65	5,05	24	24	
2,6	3,5	132S	25,9	5,4	1,6	2,1	0,0360	39	86	59,0	53,0	960	84,4	85,0	85,0	0,54	0,67	0,74	5,97	39	24	
3,5	4,8	132M	34,7	6,1	1,9	2,5	0,0492	38	84	71,0	53,0	965	85,8	86,3	86,3	0,53	0,66	0,73	8,02	38	22	
4,8	6,5	132M/L	47,5	6,0	1,8	2,4	0,0606	27	59	81,0	53,0	965	86,9	87,5	87,5	0,56	0,68	0,75	10,6	27	20	
6,6	9	160M	65,0	6,0	2,0	2,3	0,1229	24	53	116	57,0	970	88,5	88,6	88,6	0,64	0,76	0,81	13,3	24	24	
9,7	13,2	160L	95,1	6,3	2,6	3,0	0,1756	20	44	142	57,0	975	89,3	89,9	89,9	0,62	0,74	0,80	19,5	20	20	
13,2	17,9	180L	129	8,2	2,6	3,5	0,2970	12	26	186	56,0	975	90,2	90,8	90,8	0,70	0,81	0,85	24,7	19	19	
16,5	22	200L	161	5,8	1,8	2,2	0,3341	18	40	224	60,0	980	91,3	91,4	91,4	0,68	0,79	0,83	31,4	18	18	
20	27,2	200L	195	6,4	2,3	2,9	0,4212	23	51	251	60,0	980	91,5	91,9	91,9	0,63	0,75	0,81	38,8	23	12	
27	37	225S/M	262	6,6	2,0	2,2	0,8876	21	46	429	63,0	985	92,1	92,7	92,7	0,74	0,83	0,86	48,9	21	15	
33	45	250S/M	322	6,1	1,9	2,0	1,29	25	55	509	64,0	980	92,5	93,1	93,1	0,78	0,85	0,87	58,8	25	15	
40	54	280S/M	386	6,3	1,8	2,2	2,13	30	66	656	65,0	990	92,9	93,5	93,5	0,69	0,79	0,83	74,4	30	14	
46	63	280S/M	444	6,5	1,8	2,3	2,36	26	57	682	65,0	990	93,2	93,8	93,8	0,69	0,79	0,83	85,3	26	12	
64	87	315S/M	618	6,0	1,7	2,1	4,18	37	81	978	67,0	990	93,8	94,4	94,4	0,70	0,80	0,83	118	37	14	
76	103	315S/M	734	5,5	1,5	1,8	4,54	36	79	1008	67,0	990	94,0	94,6	94,6	0,74	0,82	0,84	138	36	13	
VIII pole - 750 rpm - 50 Hz VIII Poles																						
0,65	0,9	100L	8,69	4,4	1,7	2,0	0,0110	47	103	30,0	50,0	715	73,5	74,1	74,1	0,40	0,52	0,61	2,08	47	24	
0,95	1,3	100L	12,8	4,3	1,8	1,9	0,0127	38	84	32,0	50,0	710	75,0	77,9	77,9	0,41	0,53	0,62	2,84	38	22	
1,3	1,77	112M	17,5	5,0	2,5	2,5	0,0202	37	81	41,7	46,0	710	79,1	79,8	79,8	0,46	0,60	0,68	3,46	37	24	
1,9	2,6	132S	25,6	6,5	1,8	2,0	0,0000	38	84	65,0	48,0	710	81,4	82,0	82,0	0,54	0,67	0,74	4,52	38	20	
2,6	3,5	132M	35,0	6,4	2,0	2,0	0,0000	27	59	76,0	48,0	710	83,0	83,6	83,6	0,55	0,68	0,74	6,07	27	19	
3,5	4,8	160M	45,8	5,0	1,5	2,0	0,1053	34	75	109	51,0	730	84,4	85,0	85,0	0,52	0,65	0,73	8,14	34	24	
4,8	6,5	160M	62,8	5,0	1,8	2,2	0,1492	39	86	126	51,0	730	85,8	86,4	86,4	0,50	0,64	0,72	11,1	39	22	
6,6	9	160L	86,4	5,3	2,0	2,7	0,2199	31	68	159	51,0	730	87,1	87,7	87,7	0,53	0,66	0,73	14,9	31	22	
9,7	13	180L	127	6,5	2,1	2,5	0,2846	21	46	182	52,0	730	88,6	89,2	89,2	0,63	0,75	0,80	19,6	21	21	
13,5	18,3	200L	177	4,8	1,5	1,9	0,3868	30	66	240	56,0	730	89,5	90,2	90,2	0,56	0,68	0,74	28,5	30	22	
16,5	22	225S/M	215	6,7	1,7	2,9	0,6517	26	57	379	56,0	735	90,2	90,9	90,9	0,64	0,75	0,81	32,3	26	22	
20	27	225S/M	260	6,8	1,8	2,9	0,7203	22	48	393	56,0	735	90,4	91,2	91,4	0,64	0,75	0,81	39,0	22	22	
27	37	250S/M	353	7,0	1,8	2,6	1,16	18	40	486	56,0	730	91,6	92,2	92,2	0,70	0,80	0,84	50,3	18	17	
33	45	280S/M	426	5,1	1,3	1,8	2,26	37	81	669	59,0	740	92,1	92,7	92,7	0,66	0,76	0,80	64,2	37	19	
40	54	280S/M	516	5,8	1,6	2,0	3,05	35	77	760	59,0	740	92,5	93,1	93,1	0,65	0,75	0,79	78,5	35	18	
50	68	315S/M	646	5,3	1,3	1,7	5,13	39	86	1053	62,0	740	93,0	93,6	93,6	0,72	0,80	0,82	94,0	39	16	
68	92,4	315S/M	878	5,8	1,6	2,0	5,31	37	81	1068	62,0	740	93,6	94,2	94,2	0,67	0,77	0,80	130	37	14	

Note: 1) Ratings and performance according DIN 42673-2 defined in VIK Recommendation No. VE 1.

## 6. Mechanical Data

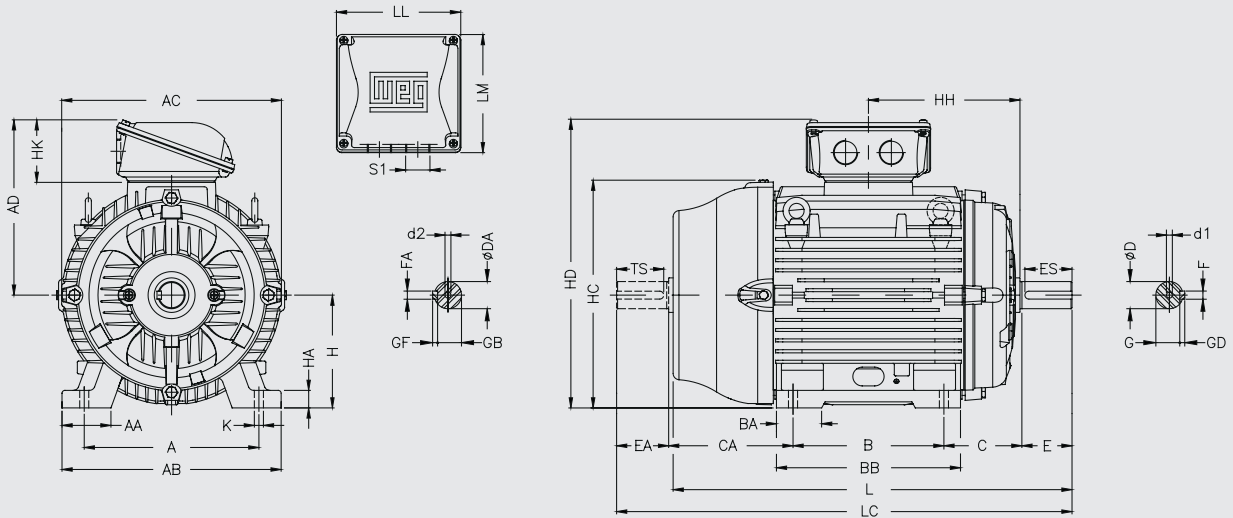
### Foot Mounted Motors, Terminal Box Top

#### Frames 63 to 132M/L

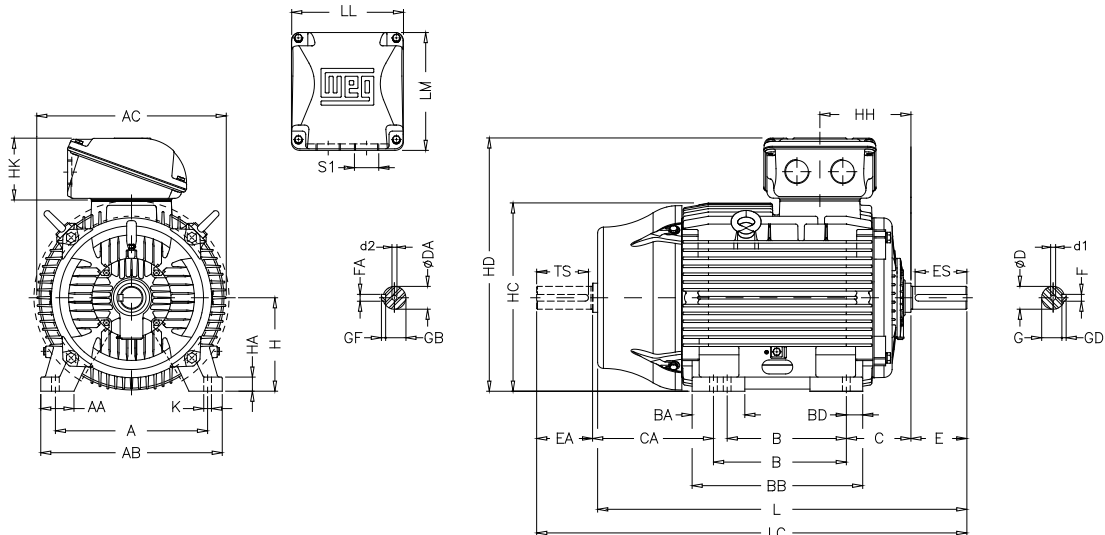


For frames 132S, 132M/L and 132M, the eyebolt will be fitted at 50°. Motors in frame sizes 63 up to 90 do not have eyebolts.

#### Frames 160M to 200L



#### Frames 225 to 355M/L



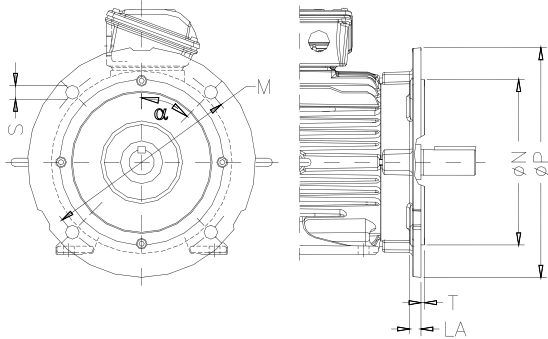
Frame	A	AA	AB	AC	AD	AD'	B	BA	BB	BD	C	CA	D	E	ES	F	G	GD	DA	EA	TS	FA	GB	GF	
63	100	25,5	116	133	123		80		95		40	78	11j6	23	14	4	8,5	4	9j6	20	12	3	7,2	3	
71	112	28,5	132	147	131		90		113,5		45	88	14j6	30	18	5	11	5	11j6	23	14	4	8,5	4	
80																									
L80	125	30,7	149	166	140		100		125,5		50	93 120	19j6	40	28	6	15,5	6	14j6	30	18		11		
90S																									
L90S	140	36,5	164	184	149		125	-	156		56	104	24j6	50	36		20		16j6	40	28	5	13	5	
90L																8		7							
L90L																									
100L	160	40	188	206	159		140		173		63	118	28j6	60	45		24		22j6	50	36	6	18,5	6	
L100L																									
112M	190	40,5	220	227	192				177		70	128							24j6				20		
132S									187																
132M	216	45	248	274	220		178		225		89	150	38k6	80	63	10	33		28j6	60	45	8	24	7	
132M/L							178/203		250									8							
160M	254	44	292	329	266		210	63	254		108	174	42k6			12	37		42k6			12	37	8	
160L							254		298																
180M	279	57	329	360	281		241	-	294		121	200	48k6	110	80			9	48k6	110	80	14	42,5	9	
180L							279		332																
200L	318	82	385	402	319		305	82	370		133	222	55m6					10	55m6			100	16	49	10
225S/M <sup>1)</sup>	356	80	436	455		384	286/311	124	412	41	149	319/294	60m6					11	60m6						
225S/M																									
250S/M <sup>1)</sup>	406		506	486		398	311/349	146	467	59	168	354/316	65m6	140	125		18	53	60m6				53		
250S/M		100																							
280S/M <sup>1)</sup>	457		557	599		472	368/419	151	517	49	190	385/334	75m6					58							
280S/M																									
315S/M <sup>1)</sup>	508	120	630	657		530	406/457	184	626	70	216	494/443	65m6					20	65m6				58		
315S/M																									
355M/L <sup>1)</sup>	610	140	750	736		620	560/630	230	760	65	254	483/413	80m6	170	160	22	71	14	65m6				58		
355M/L																									
													75m6	140	125	20	67,5	12	60m6				53		
													100m6	210	200	28	90	16	80m6	170	160	22	71	14	

Frame	H	HA	HC	HD	HH	HK	LL	LM	K	L	LC	CH	S1	D1	D2	Bearings		
																DE	NDE	
63	63		130	186	80					217	241			EM4	EM3	6201 ZZ	6201 ZZ	
71	71	7	145	202	90				7	250	276			DM5	EM4	6202 ZZ	6202 ZZ	
80										277	313							
L80	80	8	163	220	100					301	338	18		DM6	DM5	6204 ZZ	6203 ZZ	
90S										304	350							
L90S					106	59	108	98	10	334	381							
90L	90	9	182	239	118,5					330	375			DM8	DM6	6205 ZZ	6204 ZZ	
L90L										360	406							
100L	100		203	259	133					376	431	29						
L100L		10								414	475			DM10	DM8	6206 ZZ	6205 ZZ	
112M	112		235	304	140					394	448					6207 ZZ	6206 ZZ	
132S					159					451	519	34						
132M	132		274	352	178	80	140	133	12	490	557			DM12	DM10	6308 ZZ	6207 ZZ	
132M/L		17			190,5					515	582							
160M	160		331	426	213					598	712	53,5						
160L					235					642	756			DM16		6309 C3	6209 C3	
180M	180	19	366	461	241,5	101	198,5	190	14,5	664	782				DM16		6311 C3	6211 C3
180L					260,5					702	820	57					6312 C3	6212 C3
200L	200	30	407	519	285,5	120	230	220		767	880	77						
225S/M <sup>1)</sup>	225	34	453	609	212				18,5	856	974							
225S/M										886	1034	81						
250S/M <sup>1)</sup>	250		493	648	214	153	269	285		965	1113						6314 C3	6314 C3
250S/M		42							24									
280S/M <sup>1)</sup>	280		580	752	266	152	314	312		1071	1223			DM20	DM20			
280S/M																	6316 C3	6316 C3
315S/M <sup>1)</sup>										1244	1392						6314 C3	6314 C3
315S/M	315	48	644	845	264	176	379	382	28	1274	1426						6319 C3	6316 C3
355M/L <sup>1)</sup>	355	50	723	975	340	220	404	436		1412	1577	100					6316 C3	6314 C3
355M/L										1482	1677	100		DM24			6322 C3	6319 C3

Notes: 1) Dimension applicable to 2 pole motors.  
2) Dimensions are in mm.

## 7. Flange Mounted Motors

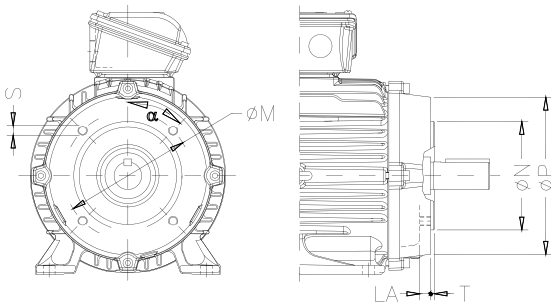
### “FF” Flange



Frame	“FF” Flange							$\alpha$	N° of holes
	Flange	LA	M	N	P	S	T		
63	FF-115	5,5	115	95	140	10	3	45°	4
71	FF-130	9	130	110	160		3,5		
80	FF-165		10	165	130	200	12		
90		12,5	215	180	250	15	4		
100	FF-215	12	265	230	300		19		
112	FF-300	18	300	250	350				
132		16	350	300	400				
160	18	400	350	450					
200	FF-350	20	500	450	550	24	6	22°30'	8
225	FF-500	18	600	550	660				
250		22	740	680	800				
280	FF-600	22	740	680	800				
315S/M	FF-740								
355									

Note: 1) Dimensions are in mm.

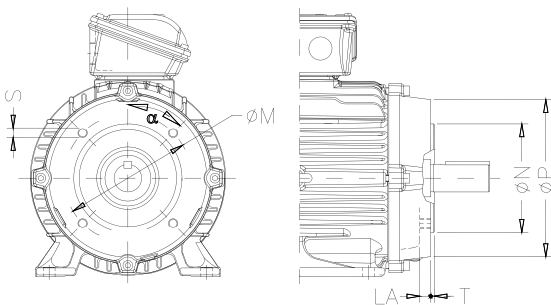
### “NEMA C” Flange



Frame	“NEMA C” Flange							$\alpha$	N° of holes
	Flange	LA	M	N	P	S	T		
63	FC-95	4,5	95,2	76,2	143	UNC 1/4"x20	4	45°	4
71		10							
80	FC-149	15	149,2	114,3	165	UNC 3/8"x16			
90		12							
100	FC-184	13,5	184,2	215,9	225	UNC 1/2"x13	6,3		
112		15,5							
132	26	228,6	266,7	280	455	UNC 5/8"x11			
160	20								
180	FC-279	25	279,4	317,5	350	UNC 5/8"x11	22°30'	8	
200									25
225	FC-355	40	368,3	419,1	455	UNC 5/8"x11			
250							25		
280	FC-368	40	368,3	419,1	455	UNC 5/8"x11			
315S/M							25		
355M/L	40								

Note: 1) Dimensions are in mm.

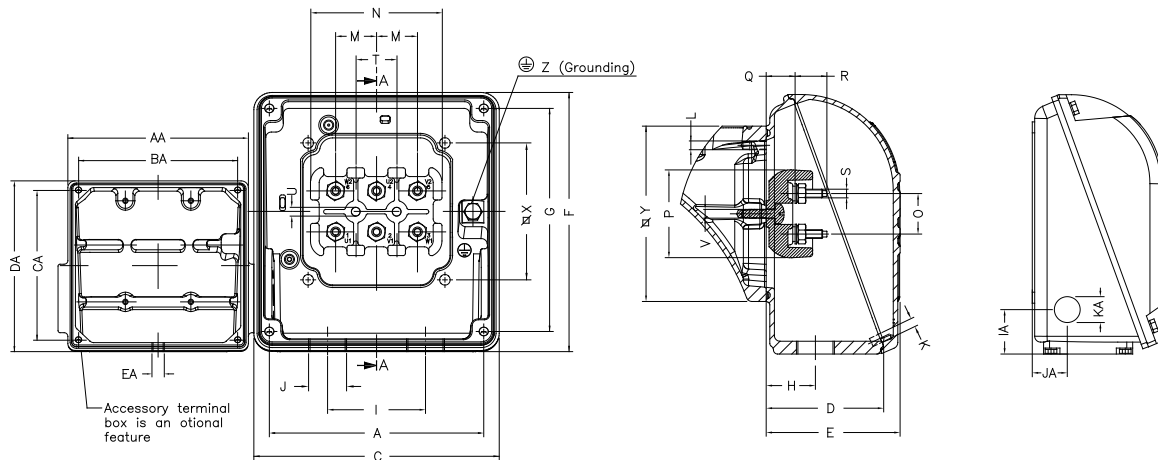
### “C-DIN” Flange



Frame	“C DIN” Flange							$\alpha$	N° of holes
	Flange	LA	M	N	P	S	T		
63	C-90	9,5	75	60	90	M5	2,5	45°	4
71	C-105	8	85	70	105	M6			
80	C-120	10,5	100	80	120		M8		
90			C-140	115	95	140			
100	C-160	12	130	110	160	M10	3,5		
112		13,5							
132	C-200	15,5	165	130	200				

Note: 1) Dimensions are in mm.

## 8. Terminal Box Drawings



Frame	A	B	C	D	E	F	G	H	I	J	K	L	M	N	O	P	Q	R	S	T	U
63										M20x1,5 (EN) M25x1,5 (VIK)	M6x1,0	M5x0,8	16	75	16	35	13,5	12	M4x0,7	20	5,8
71																					
80																					
90S	90	3,5	108	51,5	59	98	85	27	42	M25x1,5											
90L										2xM25x1,5 (EN) 2xM32x1,5(VIK)											
100																					
112	117	2,5	140	71	80	133	117	36,5	54	2xM32x1,5	M6x1,0	23	23	52	17	16	M5x0,8	23	6,5		
132																					
160	175	4	198,5	90	101	190	175	49	84	2xM40x1,5	M8x1,25	M8x1,25	28	90	28	60	21,5	20,5	M6x1,0	28	6,6
180																					
200	204	4,5	230	107	119,5	220	204	59	94	2xM50x1,5	M10x1,5	M10x1,5	44	140	44	94	28	28	M8x1,25	35	9,5
225S/M	235	12,5	269	133	153	285	260	71	110	2xM63x1,5											
250S/M					152	312	275			126											
280S/M	275	13,5	314								M12x1,75	M12x1,75	45	153	45	108	34	40	M12x1,75	45	10,5
315S/M <sup>1)</sup>	340	14,5	379	162	176	382	345	78	160	2xM63x1,5 (VICK with removable base)											
355M/L	365		404	202	220	436	390	97	200	2xM63x1,5 (with removable base)											

Frame	V	X	Y	Z	AA	BA	CA	DA	EA	IA	JA	KA	Maximum number of connectors		
													Main	Accessories	
63	M5x0,8	56	77	0,5-6 mm <sup>2</sup>	109	90	85	98	M20x1,5	23	17,5	M20x1,5	4	16	
71			78												
80			81												
90			77												
100			81												
112	70	107	2-10 mm <sup>2</sup>	139	117	117	133	M20x1,5	47	40	M20x1,5	12	26		
132		103													
160	110	140	5,2-25 mm <sup>2</sup>											47	45
180		120													
225S/M	M10x1,5	150	192											25-50 mm <sup>2</sup>	62
250S/M			197												
280S/M			204	35-70 mm <sup>2</sup>	77	56									
315S/M <sup>1)</sup>			200				260	82	69						
355M/L			260	300			85-120 mm <sup>2</sup>	97	79						

Notes: 1) Dimensions are in mm.

For WEG's worldwide  
operations visit our website



[www.weg.net](http://www.weg.net)



 +55 47 3276.4000

 [motores@weg.net](mailto:motores@weg.net)

 Jaraguá do Sul - SC - Brazil

Cod: 50069316 | Rev: 03 | Date (m/y): 09/2021.

The values shown are subject to change without prior notice.  
The information contained is reference values.