

TR ELEKTRİK MOTOR ADAPTÖRLERİ

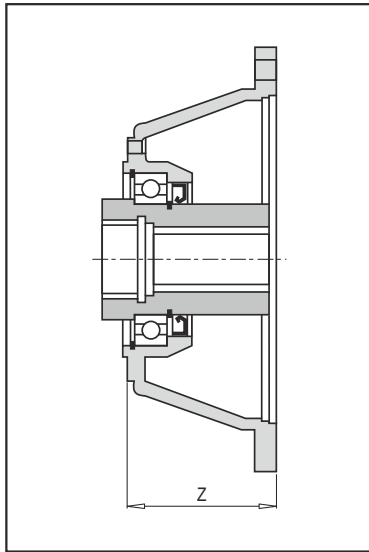
EN ELECTRIC MOTOR COUPLINGS

DE ANBAUVORRICHTUNG FÜR ELEKTROMOTORE

IT PREDISPOSIZIONI PER MOTORI ELETTRICI

FR ADAPTATIONS POUR MOTEURS ELECTRIQUES

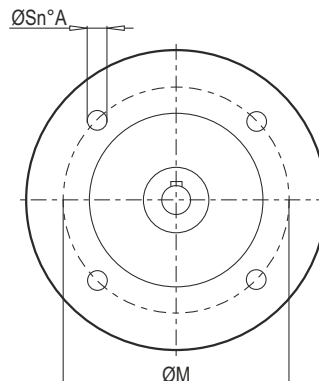
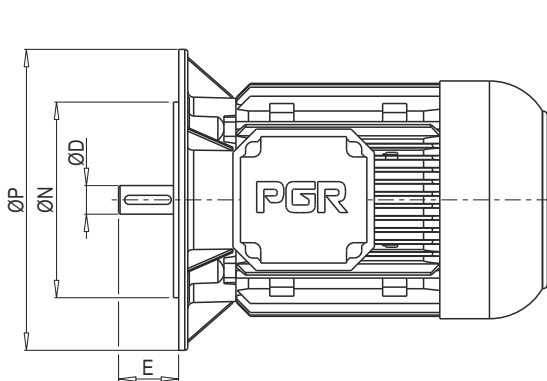
ES ACOPLAMIENTOS PARA MOTORES ELÉCTRICOS



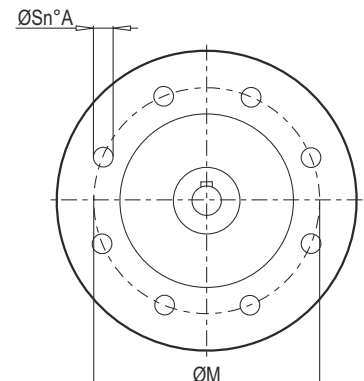
UNEL/IEC B5			
	Z	Kod / Code Bestell Nr. / Codice Code / Código	
H63	36	2074.011.005	A
H71	36	2074.011.006	
H80	56	2074.011.001	
H90	56	2074.011.002	
H100/112	66	2074.011.003	
H132	100	2074.011.004	
H160	139	2074.011.047	B
H180	139	2074.011.048	
H160	118	2074.051.001	
H180	118	2074.051.002	
H200	148	2074.051.015	
H225	139	2074.051.016	
H250	148.5	2074.051.024	C
H280	148.5	2074.051.025	
H160	150	2074.071.001	
H180	150	2074.071.002	
H200	150	2074.071.003	
H225	139	2074.071.004	
H250	139	2074.071.005	D
H280	139	2074.071.006	
H160	150	2074.081.001	
H180	150	2074.081.002	
H200	150	2074.081.003	
H225	139	2074.081.004	
H250	139	2074.081.005	
H280	139	2074.081.006	

NEMA C			
	Z	Kod / Code Bestell Nr. / Codice Code / Código	
143TC-145TC 182TC-184TC	80	2074.011.008	A
182TC-184TC 213TC-215TC	88.5	2074.011.009	
213TC-215TC	88.5	2074.011.010	
286TC	139	2074.051.006	B
326TC	149	2074.051.007	
365TS	149	2074.051.010	

Z ölçüleri tablodan doğrulanmalıdır.
Z dimensions have to be verified in the tables
Das Mass Z wird in den entsprechenden Tabellen auf der festgestellt.
Le dimensioni Z riportate vanno verificate con le tabelle.
Les dimensions de Z sont à vérifier dans les tableaux.
Las dimensiones Z indicadas tienen que verificarse con la tabla.



63...200



225...280

Kutup sayısı - Number of poles - Anzahl Pole N° poli - Numero poles - N° de polos	2								4		6		ØD	E	ØP	ØM	ØN	ØS	A
	2		4		6		8												
	[kW]	[kW]	[kW]	[kW]	[kW]	[kW]	[kW]	[kW]											
63	0.18		0.25	0.12		0.18	0.06		0.09			11	23	140	115	95	9.5	4	
71	0.37		0.55	0.25		0.37	0.18		0.25			14	30	160	130	110	9.5	4	
80	0.75		1.1	0.55		0.75	0.37		0.55			19	40	200	165	130	11.5	4	
90	1.5		2.2	1.1		1.5	0.75		1.1			24	50	200	165	130	11.5	4	
100/112	3		4	2.2	3	4	1.5		2.2			28	60	250	215	180	14	4	
132	5.5		7.5	5.5		7.5	3	4	5.5			38	80	300	265	230	14	4	
160	11	15	18.5	11		15	7.5		11			42	110	350	300	250	18	4	
180	22		18.5			22	15					48	110	350	300	250	18	4	
200	30		37	30		18.5			22			55	110	400	350	300	18	4	
225	45		37			45	30					60 (55-2p)	140	450	400	350	18	8	
250	55		55			37						65 (60-2p)	140	550	500	450	18	8	
280	75		90	75		90	45		55			75 (65-2p)	140	550	500	450	18	8	