

ATEX Reducer category 2

Riduttore ATEX categoria 2



CODE **AX121**

- Use of synthetic oil and with oil plugs (oil plugs when possible).
- VITON oil seals.
- Loctite on all external screws.
- Double input seals, when possible.
- Additional output oil seals when possible.
- Indication of maximum temperature gauge.
- Utilizzo di olio sintetico e con tappi olio (tappi olio dove è possibile).
- Anelli di tenuta in VITON.
- Frena filetti su tutte le viti fissaggio esterne.
- Doppio anello di tenuta in entrata, dove è possibile
- Anelli di tenuta supplementare in uscita dove è possibile.
- Indicatore visivo di temperatura di massima.

Advised / Sugerito



Atex Cat. 2

For more information see our guide «Atex installation and maintenance guide» on our website.

Per ulteriori informazioni, consultare la nostra guida «Atex guida alla manutenzione e installazione» sul nostro sito..

ATEX Reducer category 3

Riduttore ATEX categoria 3

CODE **AX222**

- Use of synthetic oil and with oil plugs (oil plugs when possible).
- Utilizzo di soli olio sintetico e con tappi olio (tappi olio dove è possibile).

Advised / Sugerito



Atex Cat. 3

For more information see our guide «Atex installation and maintenance guide» on our website.

Per ulteriori informazioni, consultare la nostra guida «Atex guida alla manutenzione e installazione» sul nostro sito..

Twin viton seals-shield for IP69K

Doppio anello di tenuta con schermo per IP69K



CODE **2ATUV**

Type (2pcs)

N30	25x40x10V(1pcs) 25x47x8.5V(1pcs)
N45	30x47x10V
N50	40x55x10V
N63	45x62x14.5V
N85	55x80x14.5V

Advised / Sugerito

Ideal for high ambient temperatures
Ideale per temperature ambiente elevate

Stronger oil leaks protection
Protezione con doppio anello di tenuta

Oil for low temperature and food

Olio per basse temperature e alimenti



CODE **OB150**

Agip Blasias 150
Oil for low temperature
Olio per basse temperature

Advised / Sugerito

Low temperature.
Basse temperature.



CODE **OF320**

Foodlub 320
Oil for food
Olio per alimenti

Oil for food.

Olio per alimenti.

Input shaft Viton oil seals

Anelli di tenuta in entrata Viton



CODE **ATVIE**

Type (1pcs)

N30	20x37x08
N45	25x40x7
N50	30x40x7 (1/7+1/30) 25x40x7 (1/36+1/100)
N63	35x47x7
N85	45x62x8

Advised / Sugerito

Ideal for high ambient temperatures and/or high input speed

Ideale per temperature ambiente elevate e/o velocità di ingresso alte.

Input Viton seals for coupling

Viton in entrata per giunto



CODE **ATVIEC**

Type (1pcs)

N30	20x37x08
N45	25x47x5.5
N50	30x47x7
N63	40x62x7
N85	45x75x10

Advised / Sugerito

Ideal for high ambient temperatures and/or high input speed

Ideale per temperature ambiente elevate e/o velocità di ingresso alte.

Stainless steel worm gearboxes - ACCESSORIES AND OPTIONS

Double oil seals on input shaft
Doppio anello di tenuta albero entrata

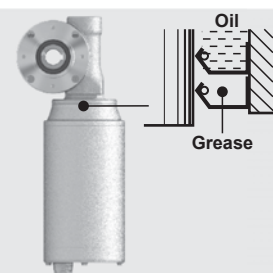


CODE **2ATEN**

Advised / Sugerito

Ideal for V6 vertical position.

Ideale per posizione verticale V6.



	N30	N45	N50	N63	N85	
IEC	56 B5	Not available	—	—	—	
	63 B5	Not available	25x40x7	30x40x7 (1/7+1/30) 25x40x7 (1/36+1/100)	35x47x7	—
	71 B5	—	Not available	Not available	35x47x7	45x62x7
	80+90 B5	—	—	Not available	35x47x7	45x62x7
	100+112 B5	—	—	—	—	45x62x7
	132 B5	—	—	—	—	—
NEMA	56 B14	Not available	25x40x7	25x40x7 (1/36+1/100)	—	—
	63 B14	Not available	Not available	Not available	—	—
	71 B14	—	25x40x7	30x40x7 (1/7+1/30) 25x40x7 (1/36+1/100)	35x47x7	—
	80 B14	—	—	30x40x7 (1/7+1/30)	35x47x7	45x62x7
	90 B14	—	—	—	35x47x7	45x62x7
	100+112 B14	—	—	—	—	45x62x7
	132 B14	—	—	—	—	—
	56C	—	25x40x7	25x40x7	35x47x7	45x62x7
143/5TC	—	—	—	35x47x7	45x62x7	
182/4TC	—	—	—	—	45x62x7	

Gasket between gearbox and electric motor *Guarnizione tra riduttore e motore elettrico*



	CODE	CODE
N30	56B14	GD0500356
	63B14	GD0500363
N45	63B14	GD0500363
	71B14	GD0500371
N50	63B14	GD0500363
	71B14	GD0500371
	80B14	GD0500380
N63	71B14	GD0500371
	80B14	GD0500380
	90B14	GD0500390
N85	80B14	GD0500380
	100B14	GD0500310

Advised / Sugerito

Increased security from infiltration.
 Maggiore sicurezza da infiltrazione.

Protective hollow shaft cap

Stainless steel protective hollow shaft cap *Tappo di protezione in acciaio inox*



	CODE
N30	KN300209
N45	KN500209
N50	KN500209
N63	KN630209
N85	KN850209

Advised / Sugerito

Hand protection.
 Protezione delle mani.



Life lubricated bearings *Cuscinetti lubrificati a vita*

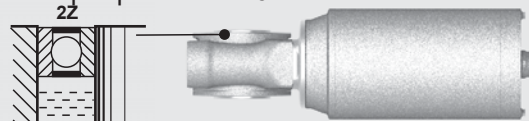


CODE **2CRSU**

	(1 pcs)
N45	6006
N50	6008
N63	6009
N85	6011

Advised / Sugerito

Ideal for B6 and B7 position.
 Ideale per posizione B6 e B7.



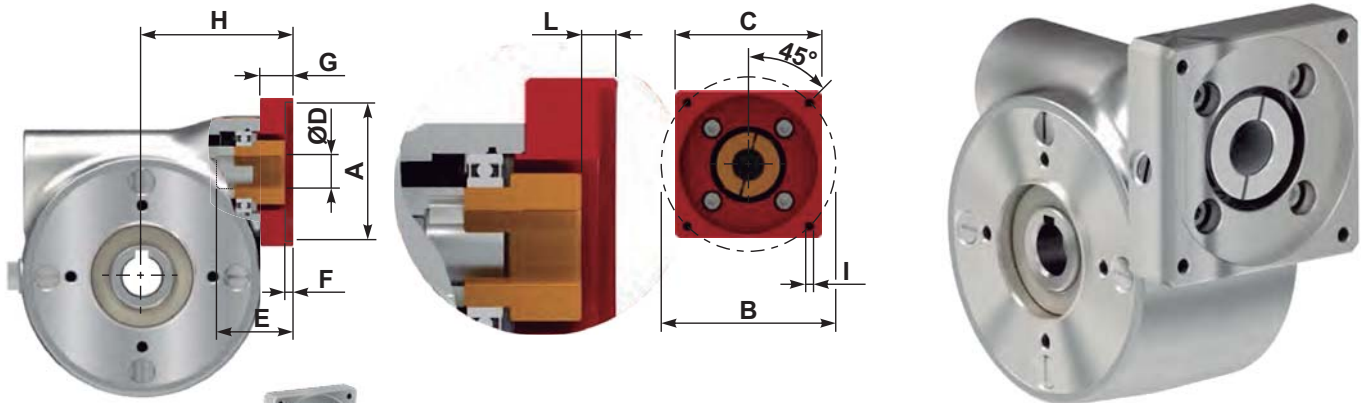
Stainless steel slotted set screws *Grani in acciaio inox*



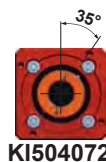
	CODE	
N30	KVTGIM06x06I_4	(4 pcs)
N45		
N50		
N63	KVTGIM08x08I_8	(8 pcs)
N85	KVTGIM10x10I_8	(8 pcs)

Advised / Sugerito

No plastic plugs.
 Nessun tappo di plastica.



	Catalog Flange Code	Input flanges Kit Code	Bushing Kit Code	Coupling Kit Code	Motor shaft Ø	A	B	C	ØD	E	F	G	L	I	H
N30 21Nm	BC	KI304072	KBR11/14G	K0305190L	Ø11	60	75	70	Ø14	30	4.5	20	4.7	M5x12	68
	BB	KI304073	-	K0305190L	Ø14	50	70	60	Ø14	32	4.5	28.5	13.2	M5x12	76.5
N45 41Nm	BC	KI504072	KBR11/14G	KC355190L	Ø11	60	75	70	Ø14	44	4.5	23	9	M5x12	79
	BB	KI504073	-	KC355190L	Ø14	50	70	70	Ø14	44	4.5	23	9	M5x12	79
	BE	KI504074	-	KC355190L	Ø14	80	100	85	Ø14	44	4.5	23	9	M6x12	79
	BF	KI504075	-	KC355190L	Ø14	95	115	100	Ø14	44	4.5	23	9	M8x12	79
	BD	KI504078	-	KC355190L	Ø14	70	90	80	Ø14	44	4.5	23	9	M6x12	79
N50 72Nm	BC	KI504072	KBR11/19G	K0505190L	Ø11	60	75	70	Ø19	48	4.5	23	9	M5x12	83.5
	BC	KI504072	KBR14/19G	K0505190L	Ø14	60	75	70	Ø19	48	4.5	23	9	M5x12	83.5
	BB	KI504073	KBR14/19G	K0505190L	Ø14	50	70	70	Ø19	48	4.5	23	9	M5x12	83.5
	BE	KI504074	KBR14/19G	K0505190L	Ø14	80	100	85	Ø19	48	4.5	23	9	M6x12	83.5
	BF	KI504075	-	K0505190L	Ø19	95	115	100	Ø19	48	4.5	23	9	M8x12	83.5
N63 147Nm	BD	KI504078	-	K0505190L	Ø19	70	90	80	Ø19	48	4.5	23	9	M6x12	83.5
	BC	KI634072	KBR14/22G	KC405190L	Ø14	60	75	90	Ø22	58	4.5	25	9	M5x12	104.5
	BB	KI634073	KBR14/22G	KC405190L	Ø14	50	70	80	Ø22	58	4.5	25	9	M5x12	104.5
	BE	KI634074	KBR14/22G	KC405190L	Ø14	80	100	85	Ø22	58	4.5	25	9	M6x12	104.5
	BF	KI634075	KBR19/22G	KC405190L	Ø19	95	115	100	Ø22	58	4.5	25	9	M8x12	104.5
N85 347Nm	BG	KI634076	-	KC405190L	Ø22	110	145	130	Ø22	63	8	30	14	M8x14	109.5
	BD	KI634078	KBR19/22G	KC405190L	Ø19	70	90	90	Ø22	58	4.5	25	9	M6x12	104.5
	BF	KI854075	KBR19/24G	KC505190L	Ø19	95	115	100	Ø24	60	4.5	26	9.5	M8x14	124.5
	BG	KI854076	KBR22/24G	KC505190L	Ø22	110	145	130	Ø24	64	8	30	13.5	M8x14	128.5
	BH	KI854077	-	KC505190L	Ø24	130	165	140	Ø24	60	5	26	9.5	M8x14	124.5
	BD	KI854078	KBR19/24G	KC505190L	Ø19	70	90	95	Ø24	60	4.5	26	9.5	M6x14	124.5



Fixing holes shifted by 35° Fori fissaggio motore ruotati a 35°

KI504072



Fixing holes shifted by 30° Fori fissaggio motore ruotati a 30°

KI504073
KI634078



Fixing holes shifted by 25° Fori fissaggio motore ruotati a 25°

KI634072
KI634073

Nema options

NEMA input flange
Flangia entrata NEMA



	CODE	
N45 N50	56C	KUI504041
N63	143/5TC	KUI634041
N85	143/5TC	KUI854041
	182/4TC	KUI854042

Advised / Sugerito

USA , CANADA, MEXICO.